

Imp. elettrico - Electrical system - Circuit électrique - Strom anlage

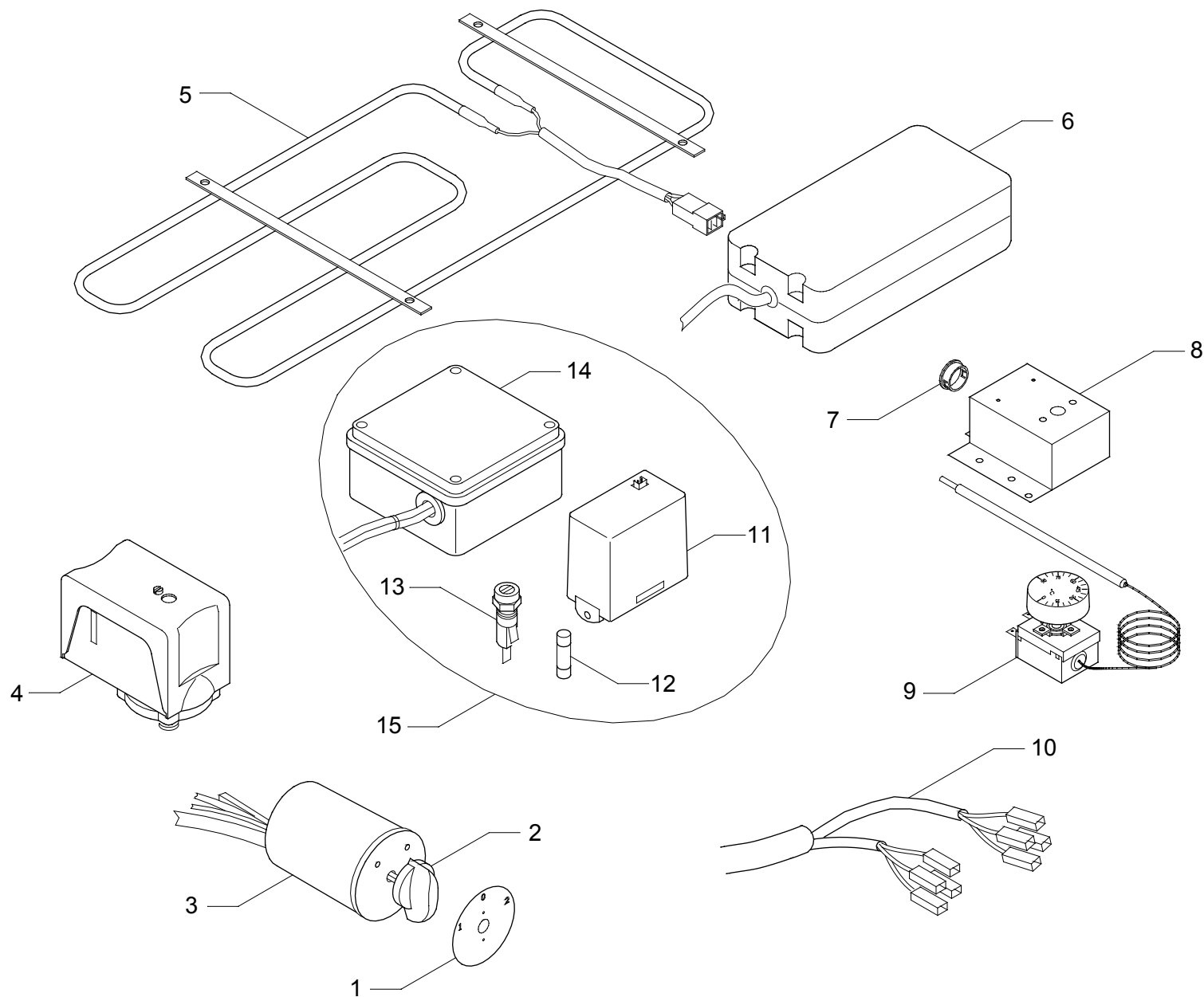
WEL-PL1

rev.00

POLARIS

*Impianto elettrico - Electrical system
Circuit électrique - Strom anlage*

POLARIS



Pos	Cod.	Denominazione - IT -	Denomination - GB -	Denomination - FR -	Denomination - DE -
1	WY29066001	ETICHETTA ADESIVA "1-0-2" NERO TONDO	ADHESIVE LABEL "1-0-2" BLACK PLAST.	ETIQ. ADHES. "1-0-2" NOIR PLASTIQUE	KLEBEETIKETTE "1-0-2" SCHWARZ PLAST
1	WY29066002	ETICHETTA ADESIVA "0-1+M.H.+SCTZ"	ADHESIVE LABEL "0-1+M.H.+SCTZ"	ETIQ. ADHES. "1-0+M.H.+SCTZ"	KLEBEETIKETTE "0-1+M.H.+SCTZ"
2	WY15271	MANOPOLA INTERR.GENERALE BREMAS	MAIN SWITCH HAND GRIP	MANETTE INTERR. GENERAL	HAUPTSCHALTERGRIFF
3	WY18103	COMMUTATORE BREMAS A25.2 SCH.	COMMUTATOR BREMAS A25.2	COMMUTATEUR BREMAS A25.2	UMSCHALTER BREMAS A25.2
3	WY18104	COMMUTATORE BREMAS A20.12 CS0177412	COMMUTATOR BREMAS A20.12	COMMUTATEUR BREMAS A20.12	UMSCHLATER BREMAS A20.12
4	WY20150	PRESSOSTATO SECCO SIRAI P302/6	SIRAI P302/6 DRY PRESSURE SWITCH	PRESSOSTAT SEC SIRAI P302/6	TROCKENDRUCKWÄCHTER SIRAI P302/6
5	WY17021006	RESISTENZA 1GR 230V 50W SCTE SB	HEATING ELEMENT 1GR 120V 50W	RESISTANCE 1GR 120V 50W	WIDERSTAND 1GR 120V 50W
5	WY17022005	RESISTENZA 2GR 230V 250W SCTE SB	HEATING ELEMENT 2GR 230V 250W	RESISTANCE 2GR 230V 250W	WIDERSTAND 2GR 230V 250W
5	WY17023005	RESISTENZA 3GR 230V 300W SCTE SB	HEATING ELEMENT 3GR 230V 300W	RESISTANCE 3GR 230V 300W	WIDERSTAND 3GR 230V 300W
6	WY18090047	CENTR.1-3GR SB/GL 120V "2004"	CONTROL BOX 1-3GR SB/GL 120V -2004	CENTRALE 1/3 120V "2004"	MIKROP. STEUERUNG 1-3 GRUPPIG 120V
6	WY18090048	CENTR.1-3GR SB/GL 230V "2004"	GEARCASE 1-3GR SB/GL 230V "2004"	CENTRALE 1/3 230V "2004"	MIKROP. STEUERUNG 1-3 GRUPPIG 230V
7	WY15352	PASSACAVO B/750/625 U.L. 143832	FAIRLEAD B/750/625 U.L. 143832	CHAUMARD B/750/625 U.L. 143832	KABELDURCHGANG B/750/625 U.L.143832
8	WY77691M	SUPPORTO TERMOSTATO FRIGO 1/2GAL	THERMOSTAT PROTECTION FR. 1/2 GAL.	PROTECTION THERMOSTAT FR. 1/2 GAL.	LAGER THERMOSTAT KÜHLUNG 1/2GAL
9	WY20314	TERMOSTATO IMIT 90G 2,5A 250V UL	THERMOSTAT IMIT 90G 2,5A 250V UL	THERMOSTAT IMIT 90G 2,5A 250V UL	TERMOSTAT IMIT 90G 2,5A 250V UL
10	WY2289R003	CABLAGGIO SAE/1	CABLE SAE/1	CABLAGE SAE/1	VERDRAHTUNG SAE/1
10	WY2289R004	CABLAGGIO SAE/2	CABLE SAE/2	CABLAGE SAE/2	VERDRAHTUNG SAE/2
10	WY2289R005	CABLAGGIO SAE/3	CABLE SAE/3	CABLAGE SAE/3	VERDRAHTUNG SAE/3
10	WY2289R006	CABLAGGIO AEP/1 '03	CABLE AEP/1 '03	CABLAGE AEP/1 '03	VERDRAHTUNG AEP/1 '03
10	WY2289R007	CABLAGGIO AEP/2 '03	CABLE AEP/2 '03	CABLAGE AEP/2 '03	VERDRAHTUNG AEP/2 '03
10	WY2289R008	CABLAGGIO AEP/3 '03	CABLE AEP/3 '03	CABLAGE AEP/3 '03	VERDRAHTUNG AEP/3 '03
11	WY18080001	REGOLATORE LIVELLO RL30/T.O.220/240V	LEVEL CONTROL RL30/T.O.220/240V	CONTROLE NIVEAU RL30/T.O.220/240V	WASSERNIVEAUREGLER RL30/TO 220/240V
11	WY18081001	REGOLATORE LIVELLO RL30/TIMEOUT 120V	LEVEL CONTROL RL30/TIMEOUT 120V	CONTROLE NIVEAU RL30/TIMEOUT 120V	WASSERNIVEAUREGLER RL30/TO 120V
12	WY19100	FUSIBILE OMEGA 5X20 T-3.15A	FUSE OMEGA 5X20 F-3.15A	FUSIBLE OMEGA 5X20 F-3.15A	SCHMELZSICHERUNG 5X20 T-3.15A
13	WY19122	PORTAFUSIBILE P2300 10A 250V OMEGA	FUSE HOLDER P2300 10A 250V OMEGA	PORTE-FUSIBLE P2300 10A 250V OMEGA	SICHERUNGSHALTER P2300 10A 250V OM.
14	WY15373100	SCATOLA RL 30	RL 30 BOX	BOITE RL 30	RL 30 BEHALTER
15	WY56302005	ASS.SCATOLA AEA CENT/CABL 230V	AEA BOX UNIT 230V	ENSEMBLE BOITE AEA 230V	AEA BEHALTER BAUGRUPPE 230V
15	WY56302006	ASS.SCATOLA AEA CENT/CABL 120V	AEA BOX UNIT 120V	ENSEMBLE BOITE AEA 120V	AEA BEHALTER BAUGRUPPE 120V