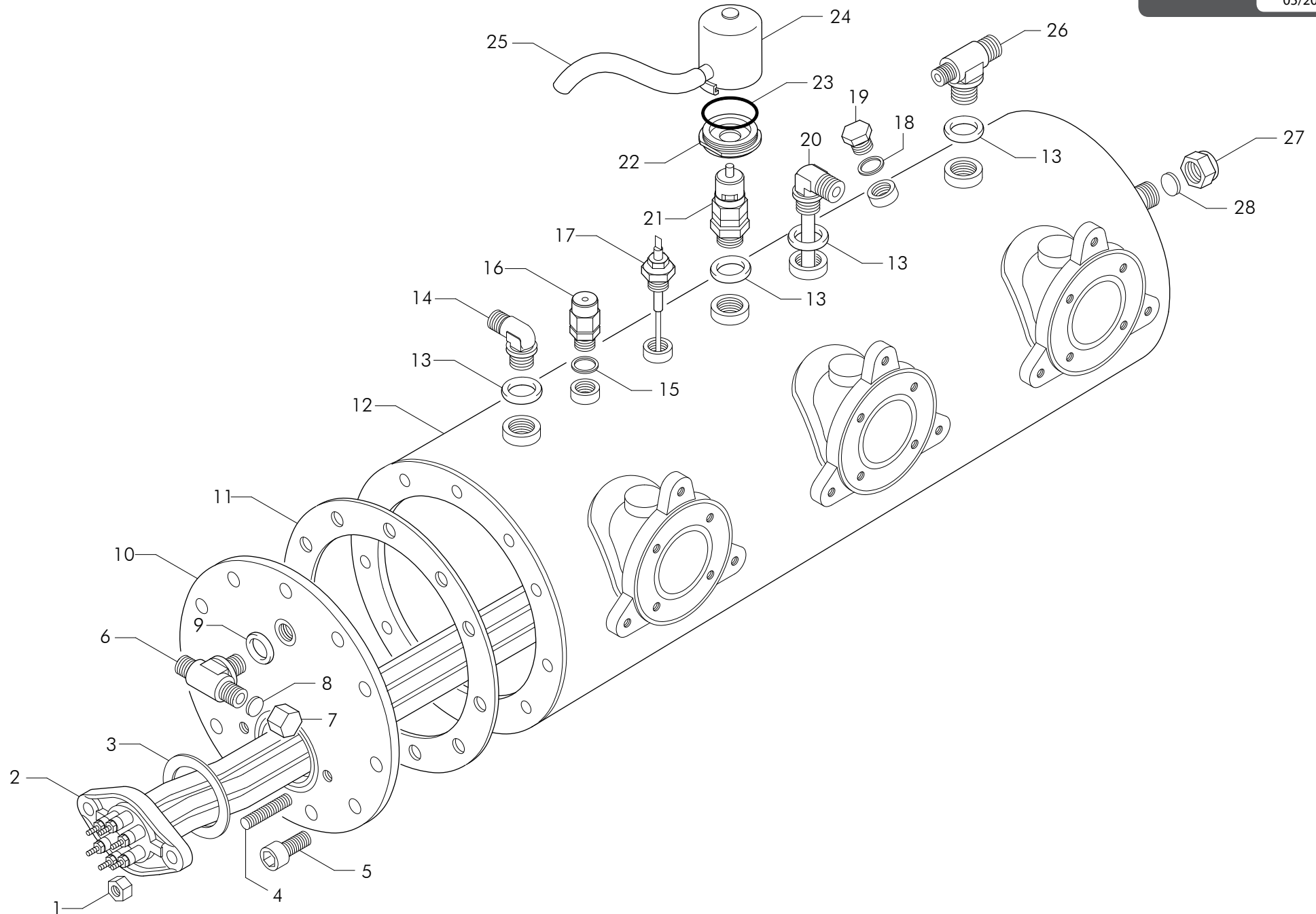
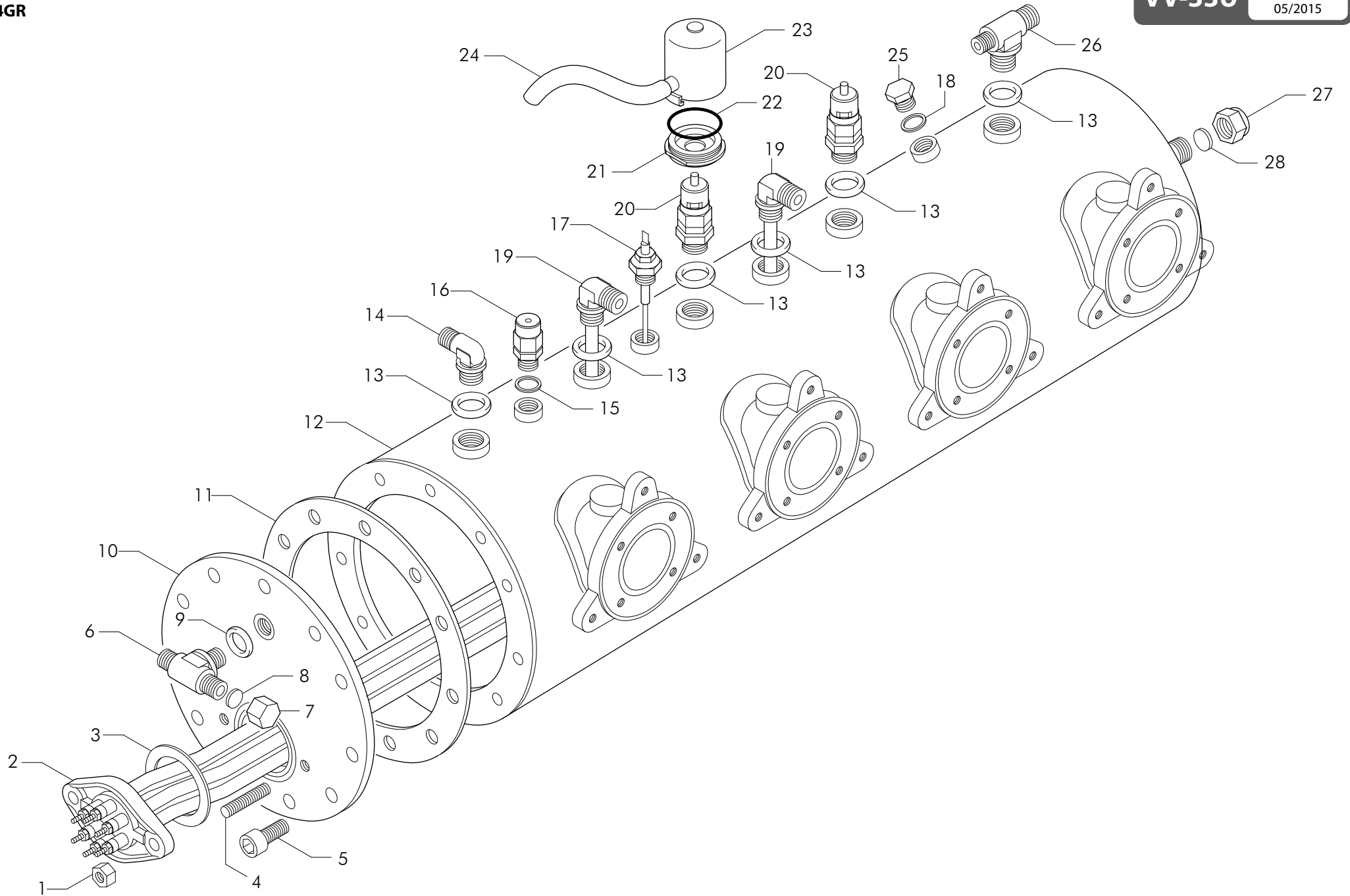


Pos	Code	Denominazione - IT -	Denomination - EN -	Denomination - FR -	Denomination - DE -
1	WY23049	DADO OTTONE M8	BRASS NUT M8	ECROU LAITON M8	MESSING-SCHRAUBENMUTTER M8
2	WY4617001	RESISTENZA 1GR 4P 120V 2000W CW510L	HEATING ELEMENT 1GR 110V-2000W	RESISTANCE ELECTRIQUE 1GR 110V2000W	HEIZKORPER 1 GR 110V 2000W
2	WY4617012	RESISTENZA 1GR 6P 230/240V 2700/2940W	HEATING ELEM.1GR 230/240V 2700/2940W	RESISTANCE 1GR 230/240V 2700/2940W	HEIZKORPER 1GR 230/240V 2700/2940W
3	WY12001	GUARNIZIONE TEFLON 58x43x2	TEFLON GASKET 58x43x2	JOINT TEFLON 58x43x2	TEFLON DICHTUNG 58x23x2
4	WY23133	PRIGIONIERO INOX 8x40	STAINLESS STEEL BOLT 8x40	VIS INOX 8x40	STAHLSCHRAUBE 8x40 8x40
5	WY23556	VITE TCEI INOX 10x20	STEEL SCREW TCCE 10X20	VIS INOX TCCE 10X20	STAHLSCHRAUBE TCCE 10x20
6	WY4643060	RACCORDO -T- 1/4x1/4x1/4 CW510L	'T' CONNECTOR 1/4x1/4x1/4 CW510L	RACCORD 'T' 1/4x1/4x1/4 CW510L	T'-ANSCHLUSS 1/4X1/4X1/4 CW510L
7	WY25782	TAPPO FEMMINA 1/4 GAS	1/4 GAS FEMALE TAP	BOUCHON FEMELLE 1/4 GAZ	INNENANSCHLUSSSTOPSEL 1/4 GAS
8	WY12007	GUARNIZIONE KLINGERSIL4400	KLINGERSIL4400 SEAL	JOINT KLINGERSIL4400	DICHTUNG KLINGER SIL4400
9	WY12100	GUARNIZIONE CU/ALIM 1/4 18.7x13.2x2.5	CU GASKET 1/4 18.7X13.2X2.5	JOINT CU 1/4 18.7X13.2X2.5	CU DICHTUNG 1/4 18.7x13.2x2.5
10	WY4653011	FLANGIA NORMALE SENZA FORI CW510L	FLANGE WITHOUT HOLES CW510L	BRIDE SANS TROUS CW510L	NORMALER FLANSCH OHNE LOCHER CW510L
11	WY12003	GUARNIZIONE CALDAIA	BOILER GASKET	JOINT CHAUDIERE	KESSELDICHTUNG
12	WY4662800000	CALDAIA AL/1 CW510L	BOILER AL/1	CHAUDIERE AL/1	KESSEL AL/1
13	WY12101	GUARNIZIONE RAME 3/8 22x17x3	GASKET COPPER 3/8 22x17x3	JOINT CUIVRE 3/8 22x17x3	KUPFERDICHTUNG 3/8 22x17x3
14	WY4643052	RACCORDO "L" 3/8 CW510L	CONNECTOR 'L' 3/8	RACCORD 'L' 3/8	ANSCHLUSS 'L' 3/8
15	WY12153	GUARNIZIONE RAME 1/4 17x13.3x1.5	GASKET 1/4 17x13.3x1.5 COPPER	JOINT CUIVRE 1/4 17x13.3x1.5	KUPFERDICHTUNG 1/4 17x13.3x1.5
16	WY4656150	VALVOLA ANTIRISUCCHIO V.A.R. CW510L	ANTI-EDDY VALVE V.A.R. CW510L	SOUPAPE ANTI-DEPRESSION V.A.R. CW510L	VENTIL UNTERDRUCKFREI V.A.R. CW510L
17	WY12154	GUARNIZIONE CU 3/8 22x17x1.5	GASKET COPPER 3/8 22x17x1,5	JOINT CUIVRE 3/8 22x17x1.5	KUPFERDICHTUNG 3/8 22x17x1.5
18	WY4625785	TAPPO MASCHIO 3/8 CW510L	MALE CAP 3/8 CW210L	BOUCHON MALE 3/8 CW510L	STOPFEN 3/8 CW510L
19	WY4620251	SONDA LIVELLO CW510L	LEVEL PROBE	JAUG	PEGELFUHLER
20	WY4652000119	TUBO D-10 L.125	TUBE D-10 L.125	TUYAU D-10 L.125	ROHR D-10 L.125
21	WY4620352001	VALVOLA SICUREZZA SIG.CMA 22PSI	SIG.SAFETY VALVE CW510L	VANNE DE SECURITE JOINT CW510L	SICHERHEITSVENTIL SIG. CW510L
22	WY15006001	FLANGIA VALVOLA SICUREZZA	FLANGE VALVE	JOINT VANNE	FLANSCH VENTIL
23	WY12300000	GUARNIZIONE OR	GASKET O RING	JOINT OR	OR DICHTUNG
24	WY56009980	ASSIEME PROTEZIONE VALVOLE SICUREZZA	UNIT PROTECTION VALVE	ENSEMBLE PROTECTION VANNE	SATZ-SCHUTZGITTER VENTIL
25	WY15478002	TUBO SILICONE 8x11 L.70cm	SILICONE TUBE 8x11 L.70cm	TUYAU SILICONE 8x11 L.70cm	SILIKONROHR 8x11 L.70cm
26	WY4643033	RACCORDO "T" 3/8x3/8x1/4 CW510L	3/8x3/8x1/4 T FITTING	RACCORD "T" 3/8x3/8x1/4	ANSCHLUSS 3/8x3/8x1/4 T
27	WY25781	TAPPO FEMMINA 3/8	FEMALE CAP 3/8	BOUCHON FEMELLE 3/8	STOPFEN 3/8
28	WY12402	GUARNIZIONE PASTICCA 15x3	GASKET 15x3	JOINT 15x3	DICHTUNG 15x3



Pos	Code	Denominazione - IT -	Denomination - EN -	Denomination - FR -	Denomination - DE -
1	WY23049	DADO OTTONE M8	BRASS NUT M8	ECROU LAITON M8	MESSING-SCHRAUBENMUTTER M8
2	WY4617050	RESISTENZA 2GR 4P 120V 2600W	HEATING ELEM. 2GR 4P 120V 2600W	RESISTANCE 2GR 4P 120V 2600W	HEIZKORPER 2GR 4P 120V 2600W
2	WY4617060001	RESISTENZA 2GR 6P 230/240V 4500/4900W	HEATING EL.2GR 230/380V 4500W 6POLE	RESISTANCE 2GR 230/380V 4500W 6POLE	HEIZKORPER 2GR 230/380V 4500W 6P CW510L
3	WY12001	GUARNIZIONE TEFLON 58x43x2	TEFLON GASKET 58x43x2	JOINT TEFLON 58x43x2	TEFLON DICHTUNG 58x23x2
4	WY23133	PRIGIONIERO INOX 8x40	STAINLESS STEEL BOLT 8x40	VIS INOX 8x40	STAHLSCHRAUBE 8x40 8x40
5	WY23556	VITE TCEI INOX 10x20	STEEL SCREW TCCE 10X20	VIS INOX TCCE 10X20	STAHLSCHRAUBE TCCE 10x20
6	WY4643060	RACCORDO -T- 1/4x1/4x1/4 CW510L	'T' CONNECTOR 1/4x1/4x1/4 CW510L	RACCORD 'T' 1/4x1/4x1/4 CW510L	T'-ANSCHLUSS 1/4X1/4X1/4 CW510L
7	WY25782	TAPPO FEMMINA 1/4 GAS	1/4 GAS FEMALE TAP	BOUCHON FEMELLE 1/4 GAZ	INNENANSCHLUSSSTOPSEL 1/4 GAS
8	WY12007	GUARNIZIONE KLINGERSIL4400	KLINGERSIL4400 SEAL	JOINT KLINGERSIL4400	DICHTUNG KLINGER SIL4400
9	WY12100	GUARNIZIONE CU/ALIM 1/4 18.7x13.2x2.5	CU GASKET 1/4 18.7X13.2X2.5	JOINT CU 1/4 18.7X13.2X2.5	CU DICHTUNG 1/4 18.7x13.2x2.5
10	WY4653011	FLANGIA NORMALE SENZA FORI CW510L	FLANGE WITHOUT HOLES CW510L	BRIDE SANS TROUS CW510L	NORMALER FLANSCH OHNE LOCHER CW510L
11	WY12003	GUARNIZIONE CALDAIA	BOILER GASKET	JOINT CHAUDIERE	KESSELDICHTUNG
12	WY4662800100	CALDAIA AL/2 CW510L	BOILER AL/2	CHAUDIERE AL/2	KESSEL AL/2
13	WY12101	GUARNIZIONE RAME 3/8 22x17x3	GASKET COPPER 3/8 22x17x3	JOINT CUIVRE 3/8 22x17x3	KUPFERDICHTUNG 3/8 22x17x3
14	WY4643052	RACCORDO "L" 3/8 CW510L	CONNECTOR 'L' 3/8	RACCORD 'L' 3/8	ANSCHLUSS 'L' 3/8
15	WY12153	GUARNIZIONE RAME 1/4 17x13.3x1.5	GASKET 1/4 17x13.3x1.5 COPPER	JOINT CUIVRE 1/4 17x13.3x1.5	KUPFERDICHTUNG 1/4 17x13.3x1.5
16	WY4656150	VALVOLA ANTIRISUCCHIO V.A.R. CW510L	ANTI-EDDY VALVE V.A.R. CW510L	SOUPAPE ANTI-DEPRESSION V.A.R. CW510L	VENTIL UNTERDRUCKFREI V.A.R. CW510L
17	WY12154	GUARNIZIONE CU 3/8 22x17x1.5	GASKET COPPER 3/8 22x17x1,5	JOINT CUIVRE 3/8 22x17x1.5	KUPFERDICHTUNG 3/8 22x17x1.5
18	WY4625785	TAPPO MASCHIO 3/8 CW510L	MALE CAP 3/8 CW210L	BOUCHON MALE 3/8 CW510L	STOPFEN 3/8 CW510L
19	WY4620251	SONDA LIVELLO CW510L	LEVEL PROBE	JAUG	PEGELFUHLER
20	WY4652000119	TUBO D-10 L.125	TUBE D-10 L.125	TUYAU D-10 L.125	ROHR D-10 L.125
21	WY4620352001	VALVOLA SICUREZZA SIG.CMA 22PSI	SIG.SAFETY VALVE CW510L	VANNE DE SECURITE JOINT CW510L	SICHERHEITSVENTIL SIG. CW510L
22	WY15006001	FLANGIA VALVOLA SICUREZZA	FLANGE VALVE	JOINT VANNE	FLANSCH VENTIL
23	WY12300000	GUARNIZIONE OR	GASKET O RING	JOINT OR	OR DICHTUNG
24	WY56009980	ASSIEME PROTEZIONE VALVOLE SICUREZZA	UNIT PROTECTION VALVE	ENSEMBLE PROTECTION VANNE	SATZ-SCHUTZGITTER VENTIL
25	WY15478002	TUBO SILICONE 8x11 L.70cm	SILICONE TUBE 8x11 L.70cm	TUYAU SILICONE 8x11 L.70cm	SILIKONROHR 8x11 L.70cm
26	WY4643033	RACCORDO "T" 3/8x3/8x1/4 CW510L	3/8x3/8x1/4 T FITTING	RACCORD "T" 3/8x3/8x1/4	ANSCHLUSS 3/8x3/8x1/4 T
27	WY25781	TAPPO FEMMINA 3/8	FEMALE CAP 3/8	BOUCHON FEMELLE 3/8	STOPFEN 3/8
28	WY12402	GUARNIZIONE PASTICCA 15x3	GASKET 15x3	JOINT 15x3	DICHTUNG 15x3



## 4GR

Pos	Code	Denominazione - IT -	Denomination - EN -	Denomination - FR -	Denomination - DE -
1	WY23049	DADO OTTONE M8	BRASS NUT M8	ECROU LAITON M8	MESSING-SCHRAUBENMUTTER M8
2	WY4617107	RESISTENZA 3GR 6P 230/240V 5000/5440W	HEATING EL. 3GR 220/240V 5000/5440 6P	RESISTANCE 3GR 220/240V 5000/5440W	HEIZKORPER 3GR 220/240V 5000/5440W
3	WY12001	GUARNIZIONE TEFLON 58x43x2	TEFLON GASKET 58x43x2	JOINT TEFLON 58x43x2	TEFLON DICHTUNG 58x23x2
4	WY23133	PRIGIONIERO INOX 8x40	STAINLESS STEEL BOLT 8x40	VIS INOX 8x40	STAHLSCHRAUBE 8x40 8x40
5	WY23556	VITE TCEI INOX 10x20	STEEL SCREW TCCE 10X20	VIS INOX TCCE 10X20	STAHLSCHRAUBE TCCE 10x20
6	WY4643060	RACCORDO -T- 1/4x1/4x1/4 CW510L	'T' CONNECTOR 1/4x1/4x1/4 CW510L	RACCORD 'T' 1/4x1/4x1/4 CW510L	T'-ANSCHLUSS 1/4X1/4X1/4 CW510L
7	WY25782	TAPPO FEMMINA 1/4 GAS	1/4 GAS FEMALE TAP	BOUCHON FEMELLE 1/4 GAZ	INNENANSCHLUSSSTOPSEL 1/4 GAS
8	WY12007	GUARNIZIONE KLINGERSIL4400	KLINGERSIL4400 SEAL	JOINT KLINGERSIL4400	DICHTUNG KLINGER SIL4400
9	WY12100	GUARNIZIONE CU/ALIM 1/4 18.7x13.2x2.5	CU GASKET 1/4 18.7X13.2X2.5	JOINT CU 1/4 18.7X13.2X2.5	CU DICHTUNG 1/4 18.7x13.2x2.5
10	WY4653011	FLANGIA NORMALE SENZA FORI CW510L	FLANGE WITHOUT HOLES CW510L	BRIDE SANS TROUS CW510L	NORMALER FLANSCH OHNE LOCHER CW510L
11	WY12003	GUARNIZIONE CALDAIA	BOILER GASKET	JOINT CHAUDIERE	KESSELDICHTUNG
12	WY4662800200	CALDAIA AL/3	BOILER AL/3	CHAUDIERE AL/3	KESSEL AL/3
13	WY12101	GUARNIZIONE RAME 3/8 22x17x3	GASKET COPPER 3/8 22x17x3	JOINT CUIVRE 3/8 22x17x3	KUPFERDICHTUNG 3/8 22x17x3
14	WY4643052	RACCORDO "L" 3/8 CW510L	CONNECTOR 'L' 3/8	RACCORD 'L' 3/8	ANSCHLUSS 'L' 3/8
15	WY12153	GUARNIZIONE RAME 1/4 17x13.3x1.5	GASKET 1/4 17x13.3x1.5 COPPER	JOINT CUIVRE 1/4 17x13.3x1.5	KUPFERDICHTUNG 1/4 17x13.3x1.5
16	WY4656150	VALVOLA ANTIRISUCCHIO V.A.R. CW510L	ANTI-EDDY VALVE V.A.R. CW510L	SOUPAPE ANTI-DEPRESSION V.A.R. CW510L	VENTIL UNTERDRUCKFREI V.A.R. CW510L
17	WY4620251	SONDA LIVELLO CW510L	LEVEL PROBE	JAUG	PEGELFUHLER
18	WY25785	TAPPO MASCHIO 3/8	MALE CAP 3/8	BOUCHON MALE 3/8	STOPFEN 3/8
19	WY4625785	TAPPO MASCHIO 3/8 CW510L	MALE CAP 3/8 CW210L	BOUCHON MALE 3/8 CW510L	STOPFEN 3/8 CW510L
20	WY4652000119	TUBO D-10 L.125	TUBE D-10 L.125	TUYAU D-10 L.125	ROHR D-10 L.125
21	WY4620352001	VALVOLA SICUREZZA SIG.CMA 22PSI	SIG.SAFETY VALVE CW510L	VANNE DE SECURITE JOINT CW510L	SICHERHEITSVENTIL SIG. CW510L
22	WY15006001	FLANGIA VALVOLA SICUREZZA	FLANGE VALVE	JOINT VANNE	FLANSCH VENTIL
23	WY12300000	GUARNIZIONE OR	GASKET O RING	JOINT OR	OR DICHTUNG
24	WY56009980	ASSIEME PROTEZIONE VALVOLE SICUREZZA	UNIT PROTECTION VALVE	ENSEMBLE PROTECTION VANNE	SATZ-SCHUTZGITTER VENTIL
25	WY15478002	TUBO SILICONE 8x11 L.70cm	SILICONE TUBE 8x11 L.70cm	TUYAU SILICONE 8x11 L.70cm	SILIKONROHR 8x11 L.70cm
26	WY4643033	RACCORDO "T" 3/8x3/8x1/4 CW510L	3/8x3/8x1/4 T FITTING	RACCORD "T" 3/8x3/8x1/4	ANSCHLUSS 3/8x3/8x1/4 T
27	WY25781	TAPPO FEMMINA 3/8	FEMALE CAP 3/8	BOUCHON FEMELLE 3/8	STOPFEN 3/8
28	WY12402	GUARNIZIONE PASTICCA 15x3	GASKET 15x3	JOINT 15x3	DICHTUNG 15x3