

# INDICE - INDEX - SOMMAIRE - VERZEICHNIS

Caldaie - Boilers - Chaudières - Kessel

Rev.

— **WCCL-01**

**00**

03-2011

**Caldaia Servizi - Service Boiler - Chaudière Services - Kessel-Service**

---

— **WCCL-02**

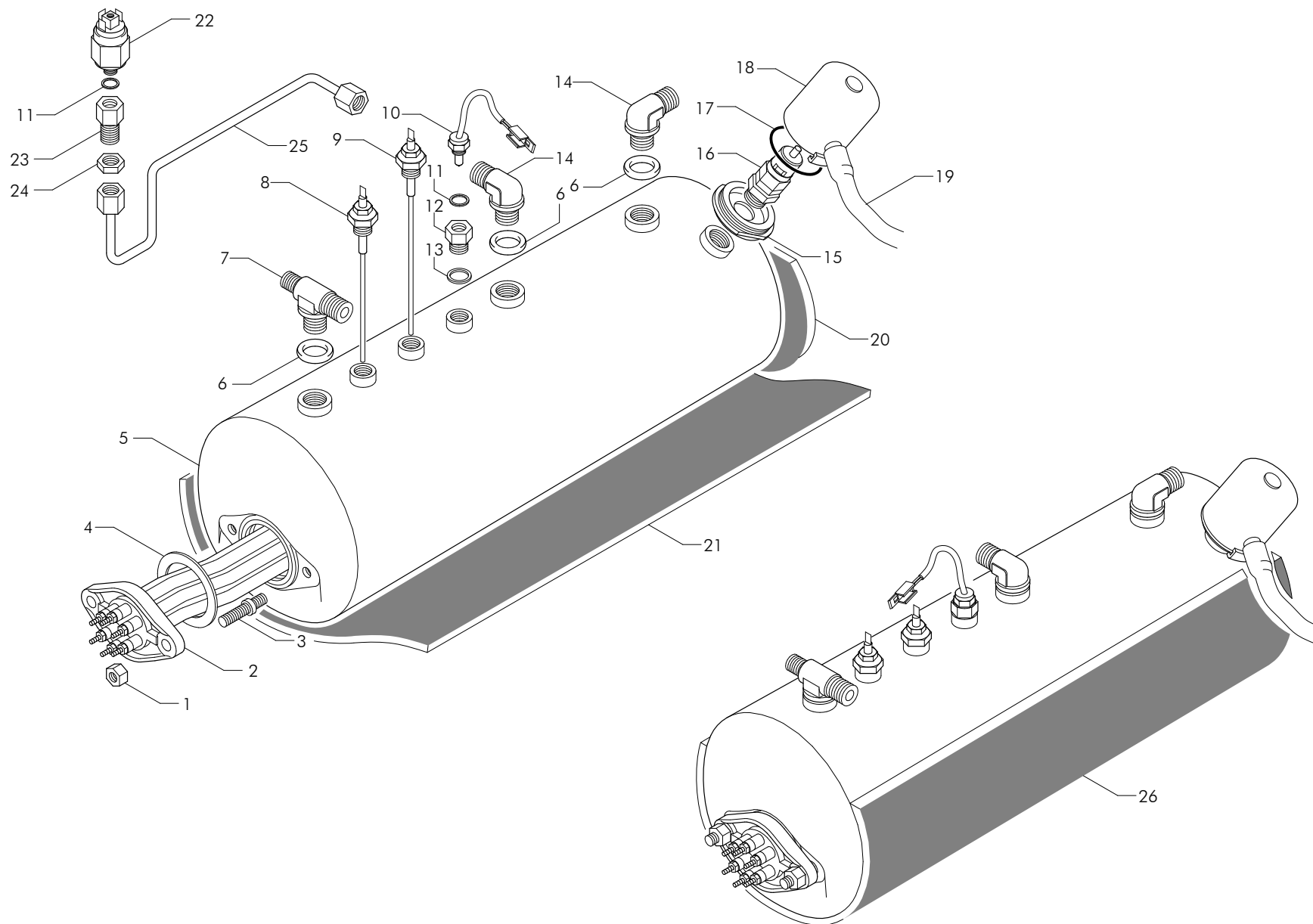
**00**

03-2011

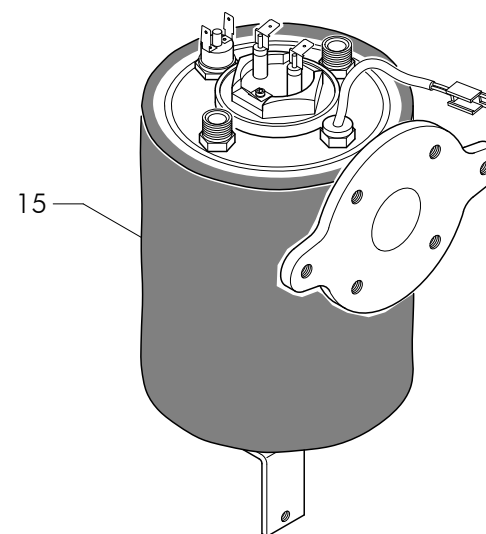
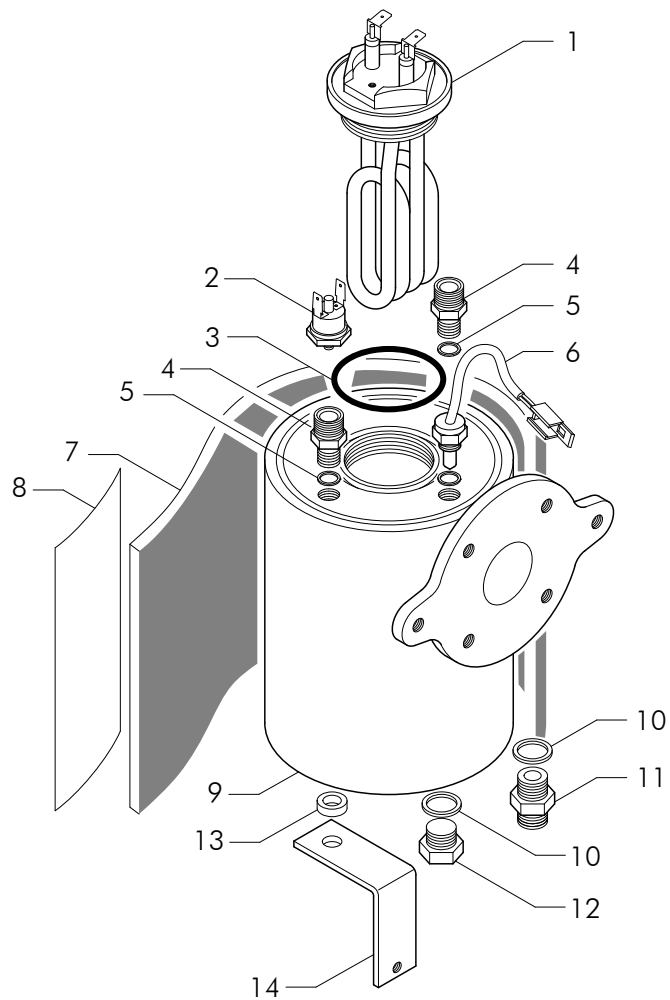
**Caldaia Gruppi - Groups Boiler - Chaudière Groupes - Kessel Einheit**

---





Pos	Cod.	Denominazione - IT -	Denomination - GB -	Denomination - FR -	Denomination - DE -
1	WY23049	DADO OTTONE M8 UNI 5587	BRASS NUT M8 UNI 5587	ECROU LAITON M8 UNI 5587	MESSING-SCHRAUBENMUTTER M8 UNI 5587
2	WY17058	RESISTENZA 2GR 6P 230/380V 3000W	HEATING EL.2GR 220/380V-3000W 6POLE	RESISTANCE 2GR 220/380V-3000W 6POLE	HEIZKORPER 2GR 220/380V-3000W 6P
2	WY17106	RESISTENZA 3GR 4P 230/240V 5000W	HEATING ELEMENT 3GR 220/240V 5000W	RESISTANCE ELEC. 3GR 220/240V 5000W	HEIZKORPER 3GR 220/240V 5000W
3	WY23132001	PRIGIONIERO INOX M8 FONDO	M8 STAINLESS STEEL BOTTOM STUD BOLT	PRISONNIER INOX M8 FOND	STIFTSCHRAUBE EDELSTAHL M8 BODEN
4	WY12001	GUARNIZIONE TEFLON VERGINE X RES/SCA 58X43X2	TEFLON GASKET ELEMENT/EXCH. 58X43X2	JOINT TEFLON RESIST/ECHANG. 58X43X2	TEFLON DICHTUNG 58X23X2
5	WY62002210	CALDAIA SERVIZI D-158 2-3GR	BOILER SERVICES D-158 2-3GR	CHAUDIERE SERVICES D-158 2-3GR	KESSEL-SERVICE D-158 2-3GR
5	WY62002211	CALDAIA SERVIZI D-158 4GR	BOILER SERVICES D-158 4GR	CHAUDIERE SERVICES D-158 4GR	KESSEL-SERVICE D-158 4GR
6	WY12101	GUARNIZIONE CU/ALIM 3/8 22X17X3	3/8 22X17X3 FEEDER/COPPER SEAL	JOINT CUIVRE/ALIM 3/8 22X17X3	KUPFERDICHTUNG/SPEIS. 3/8 22X17X3
7	WY43062	RACCORDO "T" 3/8X3/8X3/8	'T' CONNECTOR 3/8 X 3/8 X 3/8	RACCORD 'T' 3/8 X 3/8 X 3/8	'T' FITTING 3/8X3/8X3/8
8	WY20261	SONDA LIVELLO L.100 CALDAIA D-158	LEVEL PROBE L.100 D-158	JAUGE L.100 D-158	PEGELFUHLER L.100 D-158
9	WY20251	SONDA LIVELLO	LEVEL PROBE	JAUG	PEGELF_HLER
10	WY20306006	SONDA NTC CON SENSORE IN VETRO	NTC PROBE WITH GLASS SENSOR	THERMOSTAT NTC	NTC SONDE
11	WY12151	GUARNIZIONE CU 1/8 13X10.2X1.5	CU GASKET FOR SAE DOSER 13X10.2X1.5	JOINT CU DE DOSEUR SAE 13X10.2X1.5	CU DICHTUNG F_R SAE DOSIERANLAGE
12	WY25749000	RIDUZIONE 1/4M GAS - 1/8F GAS NI	REDUCER 1/4M GAS - 1/8F GAS NI	REDUCTEUR 1/4M GAS - 1/8F GAS NI	REDUZIERER 1/4M GAS - 1/8F GAS NI
13	WY12153	GUARNIZIONE CU 1/4 17X13.3X1.5	1/4 17X13.3X1.5 COPPER SEAL	JOINT CUIVRE 1/4 17X13.3X1.5	KUPFERDICHTUNG 1/4 17X13.3X1.5
14	WY43052	RACCORDO "L" 3/8	CONNECTOR 'L' 3/8	RACCORD 'L' 3/8	ANSCHLUSS 'L' 3/8
15	WY15006001	FLANGIA VALVOLA SICUREZZA	FLANGE VALVE	JOINT VANNE	FLANSCH VENTIL
16	WY20352	VALVOLA DI SICUREZZA *CE*	*CE* SAFETY VALVE	SOUPAPE DE SECURITE *CE*	SICHERHEITSVENTIL *CE*
17	WY12300000	GUARNIZIONE OR 3156 HNBR	O RING	JOINT OR	OR DICHTUNG
18	WY56009980	ASSIEME PROTEZIONE VALVOLE SICUREZZA	UNIT PROTECTION VALVE	ENSEMBLE PROTECTION VANNE	SATZ-SCHUTZGITTER VENTIL
19	WY15478002	TUBO SILICONE 8X11 L.70CM	SILICONE TUBE 8X11 L.70CM	TUYAU SILICONE 8X11 L.70CM	SILIKONROHR 8X11 L.70CM
20	WY15182953	ISOLANTE TERMICO FONDELLO CALDAIA SERVIZI	SERVICES BOTTOM BOILER ISOLATING	ISOLANTE FOND CHAUDIERE SERVICES	VERSCHLUSS WASCHTRICHTER BODEN KESSEL
21	WY15182954	ISOLANTE TERMICO CALDAIA SERVIZI 2/3GR	SERVICES BOILER ISOLATING 2/3GR	ISOLANTE CHAUDIERE SERVICES 2/3GR	VERSCHLUSS WASCHTRICHTER KESSEL 2/3GR
21	WY15182955	ISOLANTE TERMICO CALDAIA SERVIZI 4GR	SERVICES BOILER ISOLATING 4GR	ISOLANTE CHAUDIERE SERVICES 4GR	VERSCHLUSS WASCHTRICHTER KESSEL 4GR
22	WY20158	PRESSOSTATO N.C. 1/8 1-5 OT EPDM 1,5 BAR	PRESS.SWITCH N.C. 1/8 1-5 OT EPDM 1,5 BAR	PRESSOSTAT N.C. 1/8 1-5 OT EPDM 1,5 BAR	DRUCKW-CHTER N.C. 1/8 1-5 OT EPDM 1,5 BAR
23	WY25743001	RIDUZIONE 1/4MX1/8F L.20 (PASSA PARETE)	REDUCTION 1/4FX1/8M L.20	REDUCTION 1/4MX1/8F L.20	REDUKTION 1/4MX1/8F L.20
24	WY25396	DADO 1/4 SP.4	NUT 1/4 - 4 THICK	ECROU 1/4 SP.4	MUTTER 1/4
25	WY52000665	TUBO D-6 L.250 GL151	TUBE D-6 L.250 GL151	TUYAU D-6 L.250 GL151	ROHR D-6 L.250 GL151
25	WY52000835	TUBO.D-6 L.480 PY10	TUBE D-6 L.480 PY10	TUYAU D-6 L.480 PY10	ROHR D-6 L.480 PY10
26	WY83620040R	KIT CALDAIA SERVIZI 2GR	ASSEMBLY SERVICES BOILER 2GR	ENSEMBLE CHAUDIERE SERVICE 2GR	KESSEL SERVICE 2GR GRUPPE
26	WY83620041R	KIT CALDAIA SERVIZI 3GR	ASSEMBLY SERVICES BOILER 3GR	ENSEMBLE CHAUDIERE SERVICE 3GR	KESSEL SERVICE 3GR GRUPPE
26	WY83620042R	KIT CALDAIA SERVIZI 4GR	ASSEMBLY SERVICES BOILER 4GR	ENSEMBLE CHAUDIERE SERVICE 4GR	KESSEL SERVICE 4GR GRUPPE



Pos	Cod.	Denominazione - IT -	Denomination - GB -	Denomination - FR -	Denomination - DE -
1	WY17201002	RESISTENZA MATASSA 1''1/4 230/1000W	HEATING ELEMENT 1''1/4 220V 1000W	RESISTANCE ELEC. 1''1/4 220V 1000W	HEIZKORPER 1''1/4 220V 1000W
2	WY20304	TERMOSTATO BIMETALLICO 150°C	THERMOSTAT 150.C	THERMOSTAT 150.C	TERMOSTAT 150.C
3	WY12300040	GUARNIZIONI OR 4175 EPDM PEROSSIDICO 70SH	GASKET OR 4175 EPDM	JOINT OR 4175 EPDM	OR-DICHTUNG 4175 EPDM
4	WY25707	RACCORDO 1/8X1/4	CONNECTOR 1/8X1/4	RACCORD 1/8X1/4	ANSCHLUSS 1/8X1/4
5	WY12151	GUARNIZIONE CU 1/8 13X10.2X1.5	CU GASKET FOR SAE DOSER 13X10.2X1.5	JOINT CU DE DOSEUR SAE 13X10.2X1.5	CU DICHTUNG F_R SAE DOSIERANLAGE
6	WY20306006	SONDA NTC CON SENSORE IN VETRO	NTC PROBE WITH GLASS SENSOR	THERMOSTAT NTC	NTC SONDE
7	WY15182952	ISOLANTE TERMICO CALDAIA GRUPPI	ISOLATING GROUPS BOILER	ISOLANTE CHAUDIERE GROUPES	VERSCHLUSS WASCHTRICHTER KESSEL
8	WY15182948	STRISCIA ADESIVA ISOLANTE TERMICO CALDAIA	BOILER ISOLATING SHELL ADHESIVE LABEL	ETIQUETTE ADHESIVE COQUE ISOLANTE CHAUDIERE	KLEBEETIKETTE VERSCHLUSS WASCHTRICHTER
9	WY62624003	CALDAIA CAFFE' RAME	COFFEE BOILER	CHAUDIERE CAFE	KESSEL KAFFEE
10	WY12153	GUARNIZIONE CU 1/4 17X13.3X1.5	1/4 17X13.3X1.5 COPPER SEAL	JOINT CUIVRE 1/4 17X13.3X1.5	KUPFERDICHTUNG 1/4 17X13.3X1.5
11	WY25686	RACCORDO 1/4X1/4 FLANGIA	CONNECTOR 1/4 X 1/4 FLANGE	RACCORD 1/4 X 1/4 BRIDE	ANSCHLUSS 1/4X1/4 FLANSCH
12	WY25780	TAPPO MASCHIO OTTONE 1/4	BRASS MALE CAP 1/4	BOUCHON MALE LAITON 1/4	MESSING-STOPFEN 1/4
13	WY15333001	BOCCOLA ISOLANTE	ISOLATING EAR-RING	BOUCLE ISOLANT	LOKALISIEREN DES OHRRINGS
14	WY78043325	SUPP.INF.CALDAIA CAFFE' CU	INFERIOR SUPPORT GROUPS BOILER	SUPPORTE INFERIEUR CHAUDIERE	MINDERWERTINGER UNTERSTAETZUNGS KESSEL
15	WY83620039R	KIT CALDAIA GRUPPO	ASSEMBLY GROUP BOILER	ENSEMBLE CHAUDIERE GROUPE	KESSEL EINHEIT GRUPPE