

Motopompe - Motor pumps - Motopompes - Motor pumpen

WMT-WE1

rev.02

ATLAS / FORMULA / SPHERA / MILANO / NOVA / VELA

WMT-WE2

rev.02

AIRY

WMT-WE3

rev.02

COMPATTA

WMT-WE4

rev.02

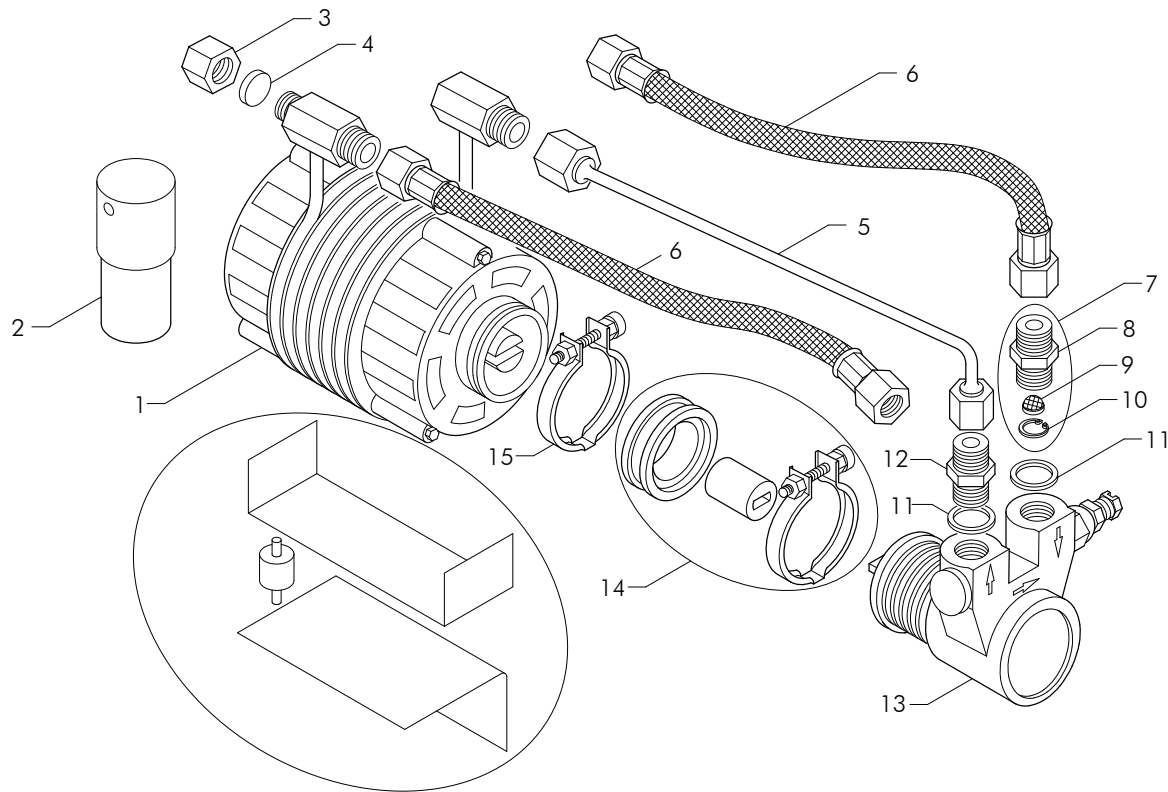
JUNIOR / COMBINOVA

WMT-WE5

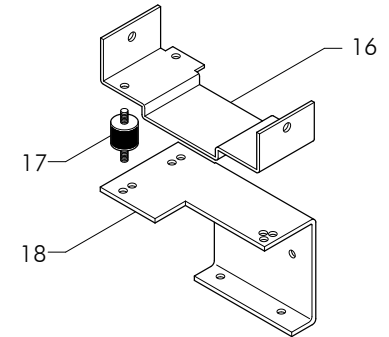
rev.02

MININOVA

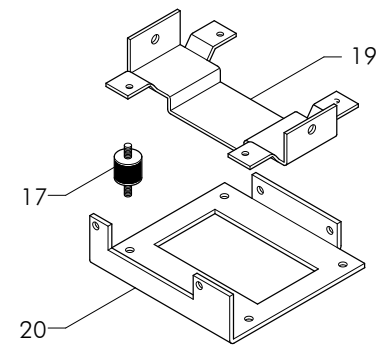
***Motopompe - Motor pumps
Motopompes - Motorpumpen***



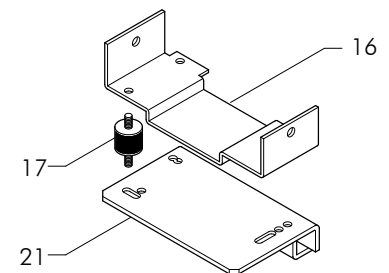
SPHERA



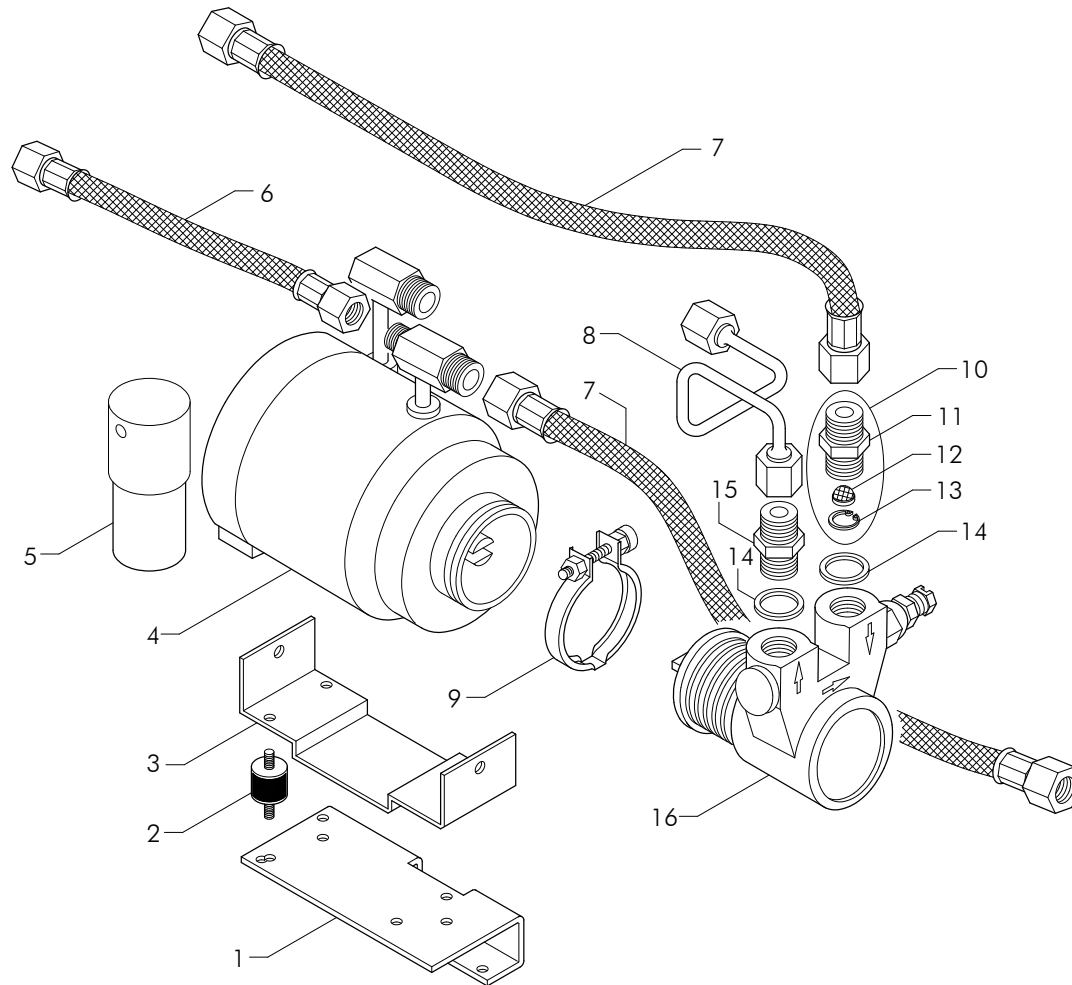
ATLAS



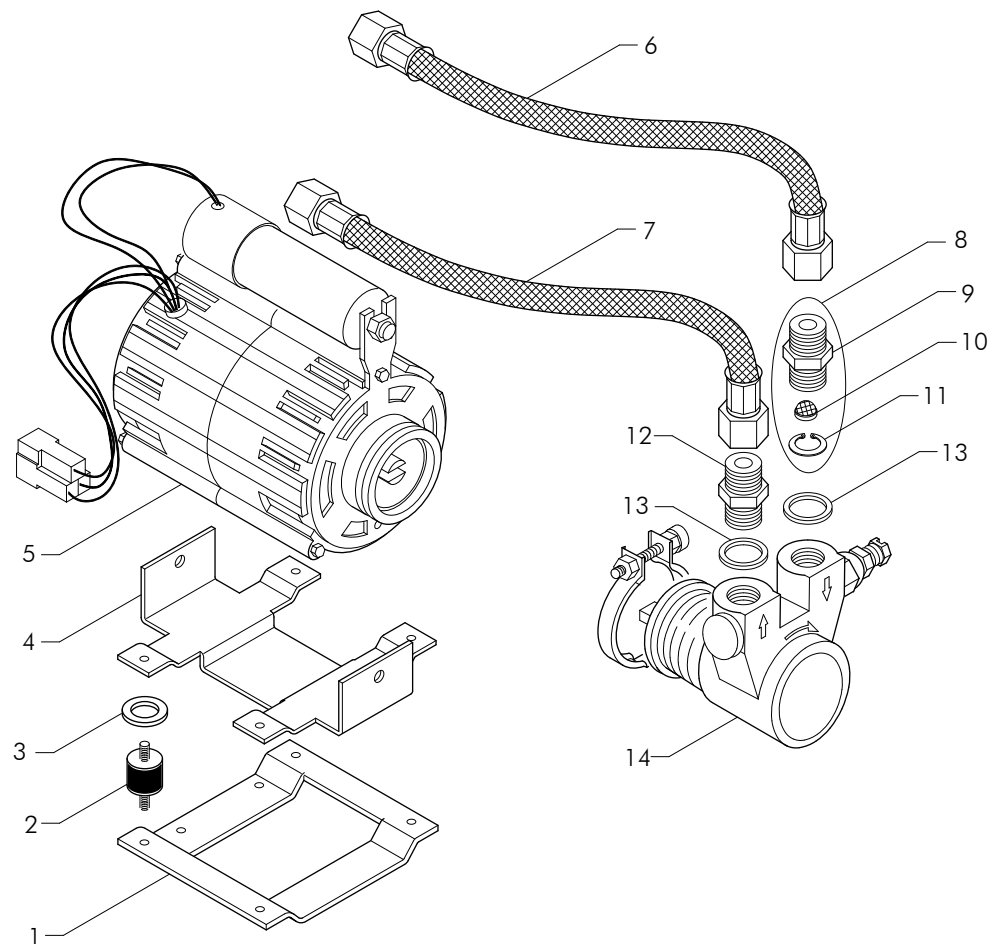
FORMULA/MILANO/NOVA/VELA



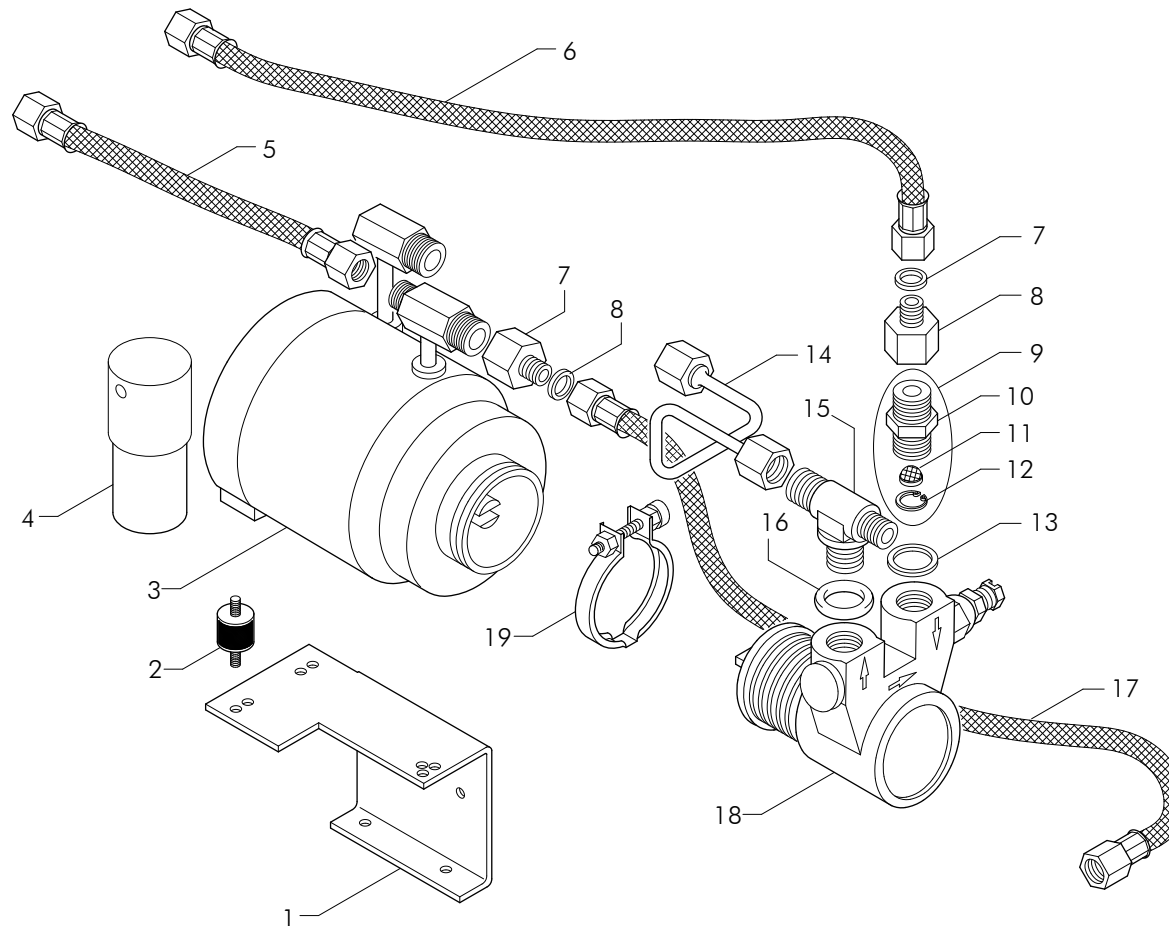
Pos	Cod.	Denominazione - IT -	Denomination - GB -	Denomination - FR -	Denomination - DE -
1	WY56406	MOTORE RPM NI 230V 50/60 R.H2O ASSIEME	MOTOR RPM 230V 50/60HZ H2O	MOTEUR RPM 230V 50/60HZ H2O	MOTOR RPM 230V 50/60HZ H2O
1	WY56407	MOTORE RPM NI 120V 60HZ R.H2O ASSIEME	MOTOR RPM 120V 60HZ H2O	MOTEUR RPM 120V 60HZ H2O	MOTOR RPM 120V 60HZ H2O
2	WY19062001	CONDENSATORE MOTORE 230V 7MF	MOTOR CAPACITOR 230V 7MF	CONDENSATEUR MOTEUR 230V 7MF	MOTORKONDENSATOR 230V 7MF
2	WY19066001	CONDENSATORE 25MF	CAPACITOR 25MF	CONDENSATEUR 25MF	KONDENSATOR 25MF
3	WY25782	TAPPO FEMMINA 1/4 GAS	1/4 GAS FEMALE TAP	BOUCHON FEMELLE 1/4 GAZ	INNENANSCHLUSSSTÖPSEL 1/4 GAS
4	WY12007	GUARNIZIONE KLINGERSIL4400	KLINGERSIL4400 COPPER SEAL	JOINT KLINGERSIL4400 POUR BOUCHON	DICHTUNG KLINGER SIL4400 X DECKEL
5	WY52002814	TUBO D-6 L.200	TUBE D-6 L.200	TUYAU D-6 L.200	ROHR D-6 L.200
6	WY30404	TUBOFLEX 3/8FF P.GOMMA CON. L45 NI	3/8 FEMALE L45 FLEX PIPE CONICAL HOSE	TUYAU FLEX 3/8 FF L45 PORTE-TUYAU	SCHLAUCH 3/8 AUFNAHMETÜR L45 GUMMI KONI
7	WY56116	RACCORDO 3/8+3/8 MOTOPOMPA ASSIEME	CONNECTOR 3/8+3/8 PUMP ASSEMBLY	RACCORD 3/8 + 3/8 ENS. MOTOPOMPE	ANSCHLUSS 3/8 + 3/8 MOTORP. ZUSAMMEN
8	WY25732	RACCORDO 3/8X3/8 + SEDE FILTRO	3/8X3/8 FITTING + FILTER HOUSING	RACCORD 3/8X3/8 + LOG. FILTRE	ANSCHLUSS 3/8X3/8 + FILTERSITZ
9	WY10254	FILTRO ACCIAIO 160-200 MESH	STEEL FILTER 160-200 MESH	FILTRE EN ACIER 160-200 MESH	STAHLFILTER 160-200 MESH
10	WY10005	ANELLO DI ARRESTO INOX DIN472 D11	DIN472 D11 STAINLESS STEEL STOP RING	ANNEAU DE BUTEE INOX DIN472 D11	DRAHTSPRENGRING ROSTFREI DIN472 D11
11	WY12154	GUARNIZIONE CU 3/8 22X17X1.5	3/8 22X17X1.5 COPPER SEAL	JOINT CUIVRE 3/8 22X17X1.5	KUPFERDICHTUNG 3/8 22X17X1.5
12	WY25687	RACCORDO 3/8X3/8 GAS	3/8X3/8 GAS FITTING	RACCORD 3/8X3/8 GAZ	ANSCHLUSS 3/8X3/8 GAS
13	WY26302	POMPA PROCON CO 51509L PASSO 3/8GAS	CO 51509L PROCON PUMP, 3/8NPT PITCH	POMPE PROCON CO 51509L PAS 3/8NPT	PUMPE PROCON CO 51509L SCHRITT 3/8N
13	WY26303	POMPA FLUID-0-TECH PO 204 BY PASS ETL	PO 204 BY PASS PUMP ETL	POMPE PO 204 BY PASS ETL	PUMPE PO 204 BY PASS ETL
14	WY26310002	KIT DISACCOPPIAMENTO MOTORE-POMPA	KIT COUPLING MOTOR-PUMP	KIT ACCOUPLEMENT MOTEUR-POMPE	KIT MOTOR-PUMPE KUPPLUNG
15	WY26310003	FASCETTA GIUNZIONE MOTORE-POMPA	CLAMP MOTOR-PUMP	BANDE MOTEUR-POMPE	SCHELLE MOTOR-PUMPE
16	WY78174	SUPPORTO MOTORE INCORPORATO R.P.M.	MOTOR BEAR. RPM	SUPPORT MOT. RPM	EINGEBAUTER MOTORHALTER RPM
17	WY15105	GOMMA AMMORTIZZATORE X MOTORE RAF.H2O	RUBBER FOR WATER COOLED MOTOR ZEC.	CAOUTCHOUC POUR MOTEUR REFROID.EAU	GUMMI X WASSERGEKÜHLTER MOTOR ZEC.
18	WY78181	SUPP.MOTOPOMPA RAF.H2O JUN.TEL.	MOTOR PUMP BEAR.	SUPPORT MOT. POMPE	MOTOR PUMPE HALTER
19	WY78174001	SUPPORTO MOTORE INC. RPM	MOTOR SUPPORT	SUPPORT MOTEUR	EINGEBAUTER MOTORHALTER
20	WY78167008	SUPPORTO MOTORE	MOTOR SUPPORT	SUPPORT MOTEUR	EINGEBAUTER MOTORHALTER
21	WY78167	SUPP.MOTOPOMPA NORM.TEL.AR/WN	NORMAL MOTORPUMP BEARING - ARG/NOV	SUPP.MOTEURPOMPE NORMALE - ARG/NOV	NORM.MOTORPUMPE-HALTER - ARG/NOV



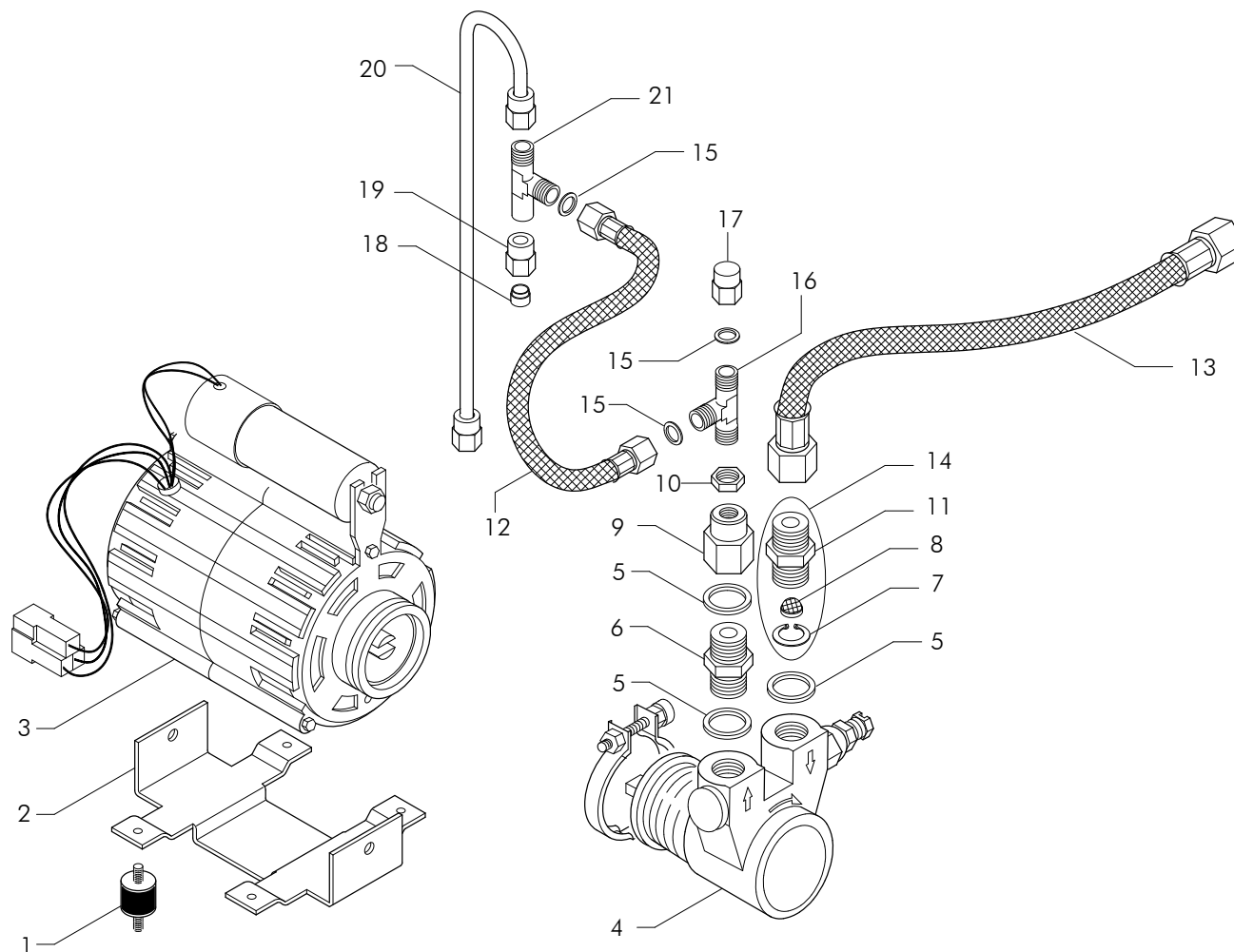
Pos	Cod.	Denominazione - IT -	Denomination - GB -	Denomination - FR -	Denomination - DE -
1	WY77747	SUPP. M.I. WEGA	BRACKET M.I.	SUPPORT M.I.	HALTER M.I.
2	WY15105	GOMMA AMMORTIZZATORE X MOTORE RAF.H20	RUBBER FOR WATER COOLED MOTOR ZEC.	CAOUTCHOUC POUR MOTEUR REFROID.EAU	GUMMI X WASSERGEKÜHLTER MOTOR ZEC.
3	WY78174	SUPPORTO MOTORE INCORPORATO R.P.M.	MOTOR BEAR. RPM	SUPPORT MOT. RPM	EINGEBAUTER MOTORHALTER RPM
4	WY56401	MOT.ZEC NI 120V 60HZ R.H20 ASSIEME	MOTOR ZEC 120V 60HZ H2O	MOTEUR ZEC 120V 60HZ H2O	MOTOR ZEC 120V 60HZ H2O
4	WY56402	MOT.ZEC NI 230V 50/60HZ R.H20 ASSIEME	MOTOR ZEC 230V 50/60HZ H2O	MOTEUR ZEC 230V 50/60HZ H2O	MOTOR ZEC 230V 50/60HZ H2O
5	WY19050	CONDENSATORE MOTORE 220V 10MF	MOTOR CAPACITOR 220V 10MF	CONDENSATEUR MOTEUR 220V 10MF	MOTORKONDENSATOR 220V 10MF
5	WY19051	CONDENSATORE MOTORE 110V 20MF	MOTOR CAPACITOR 110V 20MF	CONDENSATEUR MOTEUR 110V 20MF	MOTORKONDENSATOR 110V 20MF
6	WY30401	TUBOFLEX 1/4FF P.GOMMA CON. L28 NI	1/4 FEMALE L28 FLEX PIPE CONICAL HOSE	TUYAU FLEX 1/4 FF L28 PORTE-TUYAU	SCHLAUCH 1/4 AUFNAHMETÜR L28 GUMMI KONI
7	WY30404	TUBOFLEX 3/8FF P.GOMMA CON. L45 NI	3/8 FEMALE L45 FLEX PIPE CONICAL HOSE	TUYAU FLEX 3/8 FF L45 PORTE-TUYAU	SCHLAUCH 3/8 AUFNAHMETÜR L45 GUMMI KONI
8	WY52002814	TBS.D-6 L.200 1-4GR W 109POMPA	TUBE D-6 L.225 1-4GR W 109	TUYAU D-6 L.225 1-4GR W 109	ROHR D-6 L.225 1-4GR W 109
9	WY26310003	FASCETTA GIUNZIONE MOTORE-POMPA	CLAMP MOTOR-PUMP	BANDE MOTEUR-POMPE	SCHELLE MOTOR-PUMPE
10	WY56116	RACCORDO 3/8+3/8 MOTOPOMPA ASSIEME	CONNECTOR 3/8+3/8 PUMP ASSEMBLY	RACCORD 3/8 + 3/8 ENS. MOTOPOMPE	ANSCHLUSS 3/8 + 3/8 MOTORP. ZUSAMMEN
11	WY25732	RACCORDO 3/8X3/8 + SEDE FILTRO	3/8X3/8 FITTING + FILTER HOUSING	RACCORD 3/8X3/8 + LOG. FILTRE	ANSCHLUSS 3/8X3/8 + FILTERSITZ
12	WY10254	FILTRO ACCIAIO 160-200 MESH	STEEL FILTER 160-200 MESH	FILTRE EN ACIER 160-200 MESH	STAHLFILTER 160-200 MESH
13	WY10005	ANELLO DI ARRESTO INOX DIN472 D11	DIN472 D11 STAINLESS STEEL STOP RING	ANNEAU DE BUTEE INOX DIN472 D11	DRAHTSPRENGRING ROSTFREI DIN472 D11
14	WY12154	GUARNIZIONE CU 3/8 22X17X1.5	3/8 22X17X1.5 COPPER SEAL	JOINT CUIVRE 3/8 22X17X1.5	KUPFERDICHTUNG 3/8 22X17X1.5
15	WY25687	RACCORDO 3/8X3/8 GAS	3/8X3/8 GAS FITTING	RACCORD 3/8X3/8 GAZ	ANSCHLUSS 3/8X3/8 GAS
16	WY26302	POMPA PROCON CO 51509L PASSO 3/8GAS	CO 51509L PROCON PUMP, 3/8NPT PITCH	POMPE PROCON CO 51509L PAS 3/8NPT	PUMPE PROCON CO 51509L SCHRITT 3/8N
16	WY26303	POMPA FLUID-0-TECH PO 204 BY PASS ETL	PO 204 BY PASS PUMP ETL	POMPE PO 204 BY PASS ETL	PUMPE PO 204 BY PASS ETL



Pos	Cod.	Denominazione - IT -	Denomination - GB -	Denomination - FR -	Denomination - DE -
1	WY78174002	SUPPORTO MOTORE	MOTOR PUMP BEAR.	SUPPORT MOT.POMPE	MOTOR PUMPE HEALTER
2	WY15105	GOMMA AMMORTIZZATORE X MOTORE RAF.H20	RUBBER FOR WATER COOLED MOTOR ZEC.	CAOUTCHOUC POUR MOTEUR REFROID.EAU ZEC.	GUMMI X WASSERGEKÜHLTER MOTOR ZEC.
3	WY23265	RONDELLA GREMB. INOX 4X12 UNI 6593	STAINLESS WASHER 4X12 UNI 6593	RONDELLE INOX 4X12 UNI 6593	STAHLSCHEIBE 4X12 UNI 6593
4	WY78174001	SUPPORTO MOTORE INC. RPM	MOTOR SUPPORT	SUPPORT MOTEUR	EINGEBAUTER MOTORHALTER
5	WY18303	MOTORE R.P.M. 230V 120W	MOTOR R.P.M. 230V 120W	MOTEUR R.P.M. 230V 120W	MOTOR R.P.M. 230V 120W
5	WY18304	MOTORE R.P.M. 110V 120W	MOTOR R.P.M. 110V 120W	MOTEUR R.P.M. 110V 120W	MOTOR R.P.M. 110V 120W
6	WY30403	TUBOFLEX 3/8FF P.GOMMA CON. L33 NI	3/8 FEMALE L33 FLEX PIPE CONICAL HOSE	TUYAU FLEX 3/8 FF L33 PORTE-TUYAU	SCHLAUCH 3/8 AUFNAHMETÜR L33 GUMMI KONI
7	WY30404	TUBOFLEX 3/8FF P.GOMMA CON. L45 NI	3/8 FEMALE L45 FLEX PIPE CONICAL HOSE	TUYAU FLEX 3/8 FF L45 PORTE-TUYAU	SCHLAUCH 3/8 AUFNAHMETÜR L45 GUMMI KONI
8	WY56116	RACCORDO 3/8+3/8 MOTOPOMPA ASSIEME	CONNECTOR 3/8+3/8 PUMP ASSEMBLY	RACCORD 3/8 + 3/8 ENS. MOTOPOMPE	ANSCHLUSS 3/8 + 3/8 MOTORP. ZUSAMMEN
9	WY25732	RACCORDO 3/8X3/8 + SEDE FILTRO	3/8X3/8 FITTING + FILTER HOUSING	RACCORD 3/8X3/8 + LOG. FILTRE	ANSCHLUSS 3/8X3/8 + FILTERSITZ
10	WY10254	FILTRO ACCIAIO 160-200 MESH	STEEL FILTER 160-200 MESH	FILTRE EN ACIER 160-200 MESH	STAHLFILTER 160-200 MESH
11	WY10005	ANELLO DI ARRESTO INOX DIN472 D11	DIN472 D11 STAINLESS STEEL STOP RING	ANNEAU DE BUTEE INOX DIN472 D11	DRAHTSPRENGRING ROSTFREI DIN472 D11
12	WY25687	RACCORDO 3/8X3/8 GAS	3/8X3/8 GAS FITTING	RACCORD 3/8X3/8 GAZ	ANSCHLUSS 3/8X3/8 GAS
13	WY12154	GUARNIZIONE CU 3/8 22X17X1.5	3/8 22X17X1.5 COPPER SEAL	JOINT CUIVRE 3/8 22X17X1.5	KUPFERDICHTUNG 3/8 22X17X1.5
14	WY26303001	POMPA FLUID-O-TECH PO 104 NFS 3/8G	PUMP FLUID-O-TECH PO 104 NSF 3/8G	POMPE FLUID-O-TECH P0104 NFS 3/8G	PUMPE FLUID-O-TECH PO 104 NFS 3/8G



Pos	Cod.	Denominazione - IT -	Denomination - GB -	Denomination - FR -	Denomination - DE -
1	WY78181	SUPP.MOTOPOMPA RAF.H2O JUN.TEL.	MOTOR PUMP BEAR.	SUPPORT MOT. POMPE	MOTOR PUMPE HEALTER
2	WY15105	GOMMA AMMORTIZZATORE X MOTORE RAF.H2O	RUBBER FOR WATER COOLED MOTOR ZEC.	CAOUTCHOUC POUR MOTEUR REFROID.EAU	GUMMI X WASSERGEKÜHLTER MOTOR ZEC.
3	WY56401	MOT.ZEC NI 120V 60HZ R.H2O ASSIEME	MOTOR ZEC 120V 60HZ H2O	MOTEUR ZEC 120V 60HZ H2O	MOTOR ZEC 120V 60HZ H2O
3	WY56402	MOT.ZEC NI 230V 50/60HZ R.H2O ASSIEME	MOTOR ZEC 230V 50/60HZ H2O	MOTEUR ZEC 230V 50/60HZ H2O	MOTOR ZEC 230V 50/60HZ H2O
4	WY19050	CONDENSATORE MOTORE 220V 10MF	MOTOR CAPACITOR 220V 10MF	CONDENSATEUR MOTEUR 220V 10MF	MOTORKONDENSATOR 220V 10MF
4	WY19051	CONDENSATORE MOTORE 110V 20MF	MOTOR CAPACITOR 110V 20MF	CONDENSATEUR MOTEUR 110V 20MF	MOTORKONDENSATOR 110V 20MF
5	WY30401	TUBOFLEX 1/4FF P.GOMMA CON. L28 NI	1/4 FEMALE L28 FLEX PIPE CONICAL HOSE	TUYAU FLEX 1/4 FF L28 PORTE-TUYAU	SCHLAUCH 1/4 AUFNAHMETÜR L28 GUMMI KONI
6	WY15456	TUBO RETINATO NERO FF1/8 L60 CM NI	WIRED HOSE BLACK FF1/8 L=60 CM	TUYAU GRILLE NOIR FF1/8 L=60 CM	SCHWARZ RASTERROHR FF1/8 L=60 CM
7	WY12156	GU CU 14X10X2	CU GASKET 14X10X2	JOINT CU 14X10X2	CU DICHTUNG 14X10X2
8	WY23218	RACC.DRITTO 1/8MX3/8F 1200638	STRAIGHT FITTING 1/8MX3/8F S01200	RACCORD DROIT 1/8MX3/8F S01200	AUFRECHTES FITTING 1/8MX3/8F S01200
9	WY56116	RACCORDO 3/8+3/8 MOTOPOMPA ASSIEME	CONNECTOR 3/8+3/8 PUMP ASSEMBLY	RACCORD 3/8 + 3/8 ENS. MOTOPOMPE	ANSCHLUSS 3/8 + 3/8 MOTORP. ZUSAMMEN
10	WY25732	RACCORDO 3/8X3/8 + SEDE FILTRO	3/8X3/8 FITTING + FILTER HOUSING	RACCORD 3/8X3/8 + LOG. FILTRE	ANSCHLUSS 3/8X3/8 + FILTERSITZ
11	WY10254	FILTRO ACCIAIO 160-200 MESH	STEEL FILTER 160-200 MESH	FILTRE EN ACIER 160-200 MESH	STAHLFILTER 160-200 MESH
12	WY10005	ANELLO DI ARRESTO INOX DIN472 D11	DIN472 D11 STAINLESS STEEL STOP RING	ANNEAU DE BUTEE INOX DIN472 D11	DRAHTSPRENGRING ROSTFREI DIN472 D11
13	WY12154	GUARNIZIONE CU 3/8 22X17X1.5	3/8 22X17X1.5 COPPER SEAL	JOINT CUIVRE 3/8 22X17X1.5	KUPFERDICHTUNG 3/8 22X17X1.5
14	WY52002533	TBS.D-6 L.165 H 42POMPA > MOTORE	TUBE D-6 L.165 H 42	TUYAU D-6 L.165 H 42	ROHR D-6 L.165 H 42
15	WY43033	RACCORDO "T" 3/8X3/8X1/4	3/8X3/8X1/4 T FITTING	RACCORD "T" 3/8X3/8X1/4	ANSCHLUSS 3/8X3/8X1/4 T
16	WY12101	GUARNIZIONE CU/ALIM 3/8 22X17X3	3/8 22X17X3 FEEDER/COPPER SEAL	JOINT CUIVRE/ALIM 3/8 22X17X3	KUPFERDICHTUNG/SPEIS. 3/8 22X17X3
17	WY15455	TUBO RETINATO NERO FF1/8 L100 CM NI	WIRED HOSE BLACK FF1/8 L=100 CM	TUYAU GRILLE NOIR FF1/8 L=100 CM	SCHWARZ RASTERROHR FF1/8 L=100 CM
18	WY26302	POMPA PROCON CO 51509L PASSO 3/8GAS	CO 51509L PROCON PUMP, 3/8NPT PITCH	POMPE PROCON CO 51509L PAS 3/8NPT	PUMPE PROCON CO 51509L SCHRITT 3/8N
18	WY26303	POMPA FLUID-0-TECH PO 204 BY PASS ETL	PO 204 BY PASS PUMP ETL	POMPE PO 204 BY PASS ETL	PUMPE PO 204 BY PASS ETL
19	WY26310003	FASCETTA GIUNZIONE MOTORE -POMPA	CLAMP MOTOR-PUMP	BANDE MOTEUR-POMPE	SHELLE MOTOR-PUMPE



Pos	Cod.	Denominazione - IT -	Denomination - GB -	Denomination - FR -	Denomination - DE -
1	WY15105	GOMMA AMMORTIZZATORE X MOTORE RAF.H20	RUBBER FOR WATER COOLED MOTOR ZEC.	CAOUTCHOUC POUR MOTEUR REFROID.EAU	GUMMI X WASSERGEKÜHLTER MOTOR ZEC.
2	WY78174001	SUPPORTO MOTORE INC. RPM	MOTOR SUPPORT	SUPPORT MOTEUR	EINGEBAUTER MOTORHALTER
3	WY18303	MOTORE R.P.M. 230V 120W	MOTOR R.P.M. 230V 120W	MOTEUR R.P.M. 230V 120W	MOTOR R.P.M. 230V 120W
3	WY18304	MOTORE R.P.M. 110V 120W	MOTOR R.P.M. 110V 120W	MOTEUR R.P.M. 110V 120W	MOTOR R.P.M. 110V 120W
4	WY26303002	POMPA FLUID-O-TECH 50LT/H P0054	FLUID-O-TECH PUMP	POMPE FLUID-O-TECH 50 LT/H P005	PUMPE FLUID-O-TECH
5	WY12154	GUARNIZIONE CU 3/8 22X17X1.5	3/8 22X17X1.5 COPPER SEAL	JOINT CUIVRE 3/8 22X17X1.5	KUPFERDICHTUNG 3/8 22X17X1.5
6	WY25687	RACCORDO 3/8X3/8 GAS	3/8X3/8 GAS FITTING	RACCORD 3/8X3/8 GAZ	ANSCHLUSS 3/8X3/8 GAS
7	WY10005	ANELLO DI ARRESTO INOX DIN472 D11	DIN472 D11 STAINLESS STEEL STOP RING	ANNEAU DE BUTEE INOX DIN472 D11	DRAHTSPRENGRING ROSTFREI DIN472 D11
8	WY10254	FILTRO ACCIAIO 160-200 MESH	STEEL FILTER 160-200 MESH	FILTRE EN ACIER 160-200 MESH	STAHLFILTER 160-200 MESH
9	WY25744	RIDUZIONE 1/8FX3/8F V.N.R.	REDUCTION 1/8FX3/8F	REDUCTION 1/8FX3/8F	REDUKTION 1/8FX3/8F
10	WY25395	DADO 1/8 MANOMETRO	1/8 NUT GAUGE	ECROU 1/8 MANOMETRE	MUTTER 1/8 MANOMETER
11	WY25732	RACCORDO 3/8X3/8 + SEDE FILTRO	3/8X3/8 FITTING + FILTER HOUSING	RACCORD 3/8X3/8 + LOG. FILTRE	ANSCHLUSS 3/8X3/8 + FILTERSITZ
12	WY30405	TUBOFLEX 1/8FF P.GOMMA PIA. L19 NI	TUBOFLEX 1/8FF RUBBER-HOLDER L19	TUBOFLEX 1/8FF PORTE-TUYAU L19	TUBOFLEX 1/8FF GUMMI-HALTER L19
13	WY30408	TUBOFLEX 3/8FF P.GOMMA CON. L150 NI	3/8 FEMALE L150 FLEX PIPE CONICAL HOSE	TUYAU FLEX 3/8 FF L150 PORTE-TUYAU	SCHLAUCH 3/8 AUFNAHMETÜR L150 GUMMI KONI
14	WY56116	RACCORDO 3/8+3/8 MOTOPOMPA ASSIEME	CONNECTOR 3/8+3/8 PUMP ASSEMBLY	RACCORD 3/8 + 3/8 ENS. MOTOPOMPE	ANSCHLUSS 3/8 + 3/8 MOTORP. ZUSAMMEN
15	WY12012	GUARNIZIONE TEFLON 8.5X4X2	GASKET TEFLON 8.5X4X2	JOINT TEFLON 8.5X4X2	DICHTUNG TEFLON 8.5X4X2
16	WY23211	RACCORDO OTT."T" 1/8X1/8X1/8 30006	BRASS CONNECTOR 'T' 1/8X1/8X1/8	RACCORD LAITON "T" 1/8X1/8X1/8	MESSING FITTING "T" 1/8X1/8X1/8
17	WY25790	TAPPO 1/8 GAS FEMMINA	FEMALE CAP 1/8 GAS	BOUCHON FEMELLE 1/8 GAS	STOPFEN 1/8 GAS
18	WY25800	TERMINALE D6	TERMINAL D6	BORNE D6	ENDVERSCHLUSS D6
19	WY25701	RACC.MANOMETRO 1/8 FORO 6	MANOMETER CONNECTOR 1/8 HOLE 6	RACCORD MANOMETRE 1/8 TROU 6	MANOMETERFITTING 1/8 LOCH 6
20	WY52002053	TUB.D-6 L.200 CO 43 RACC."T" ORIENT.	TUBE D-6 L.200	TUYAU D-6 L.200	ROHR D-6 L.200
21	WY23195	RACCORDO OTT."T" ORIENT. S03600-A-6-6	BRASS FITTING 'T' S03600-A-6-6	RACCORD LAITON 'T' S03600-A-6-6	MESSING FITTING 'T' S03600-A-6-6