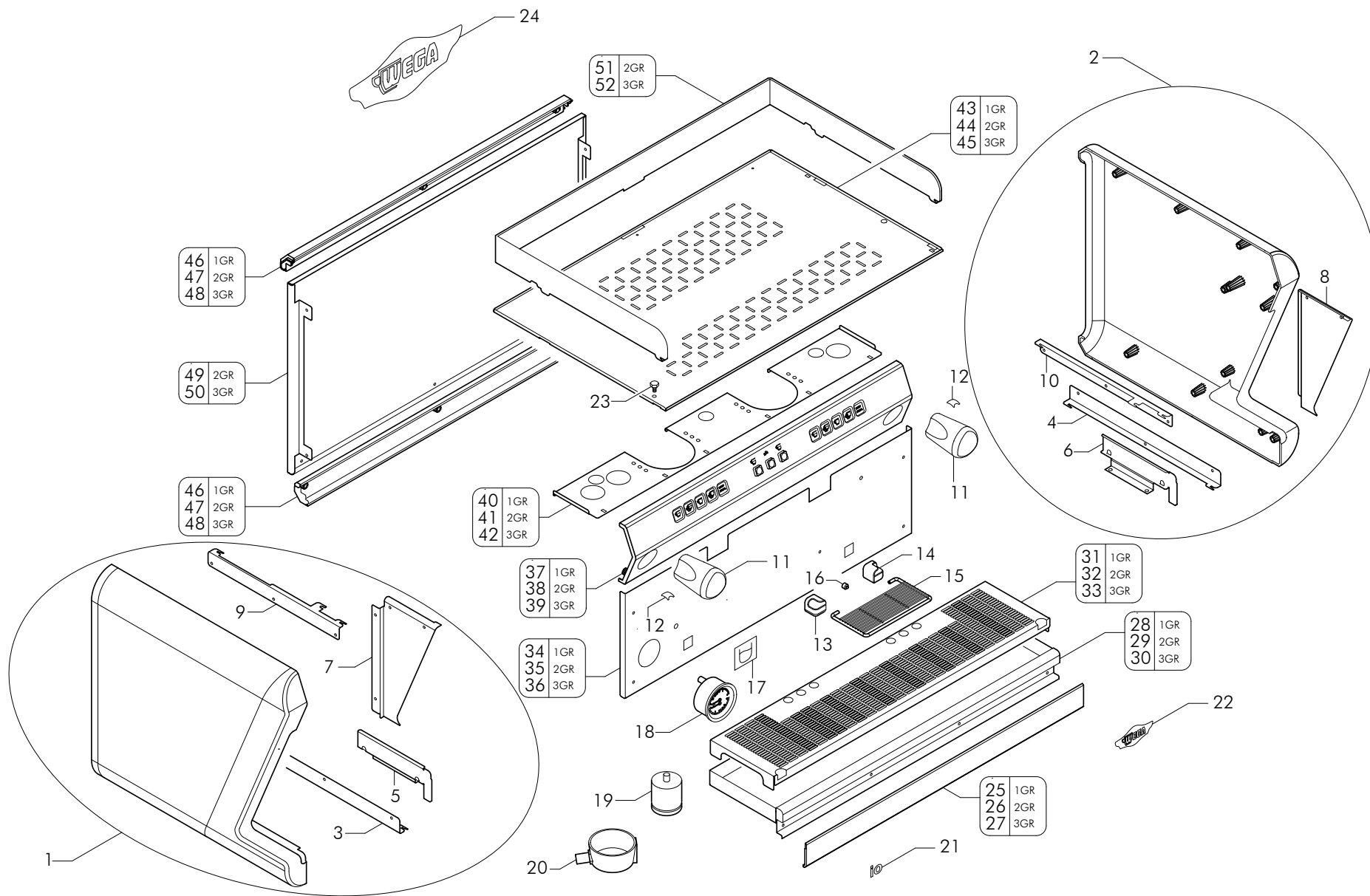


io 1-2-3 GR - EU

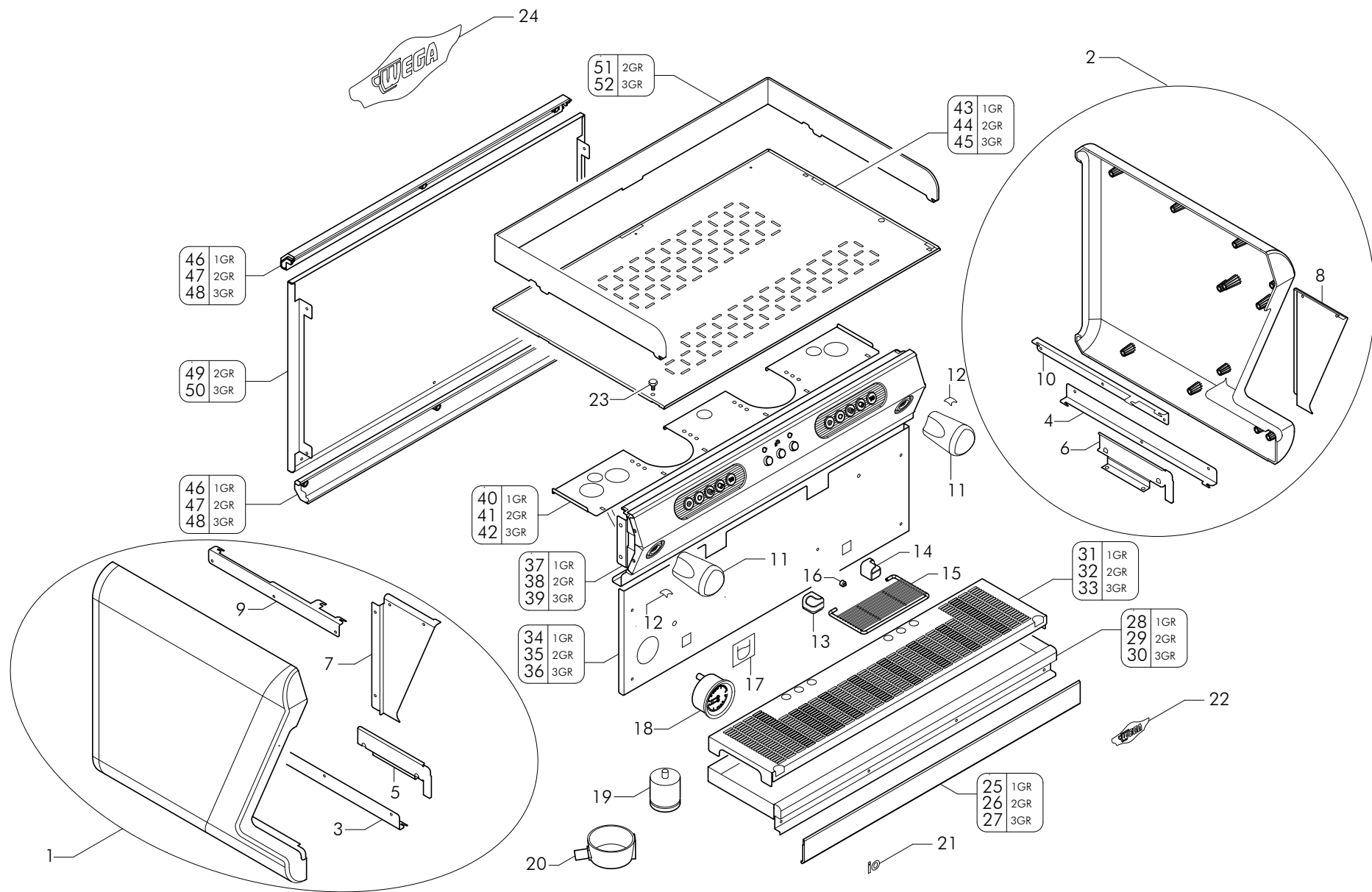
Parti di ricambio - Spare parts - Pieces detachees - Ersatzteilekatalog

Tav.		Pag.	Rev.	Data
IO-01	Carrozzeria - Body parts - Carrosserie - Karosserie	02	00	06/2018
IO-02	Carrozzeria 2019 - Body parts 2019 - Carrosserie 2019 - Karosserie 2019	05	00	04/2019
IO-11	Pulsantiera - Push buttons - Claviers - Tastaturen	08	00	06/2018
IO-12	Pulsantiera 2019 - Push buttons 2019 - Claviers 2019 - Tastaturen 2019	10	00	04/2019
IO-21	Lancia Acqua - Tube Water - Tuyau Eau - Wasserhahn	12	00	06/2018
IO-22	Lancia Vapore - Tube Steam - Tuyau Vapeur - Dampfhahn	14	00	06/2018
IO-23	Autosteamer	16	00	06/2018
IO-31	Gruppo - Group - Groupe - Gruppe	18	01	10/2019
IO-41	Caldaia - Boiler - Chaudiere - Kessel	20	01	05/2019
IO-51	Impianti idraulici - Hydraulic circuits - Circuits hydrauliques - Wasser anlage	22	00	06/2018
IO-61	Impianto elettrico - Electrical system - Circuit electrique - Strom anlage	24	00	06/2018
IO-81	Motopompa - Motor pump - Motopompe - Motor pump	26	00	06/2018
IO-91	Filtri e portafiltri - Filters & filterholders - Filtres et porta filtres - Filter und filterhalter	28	00	06/2018



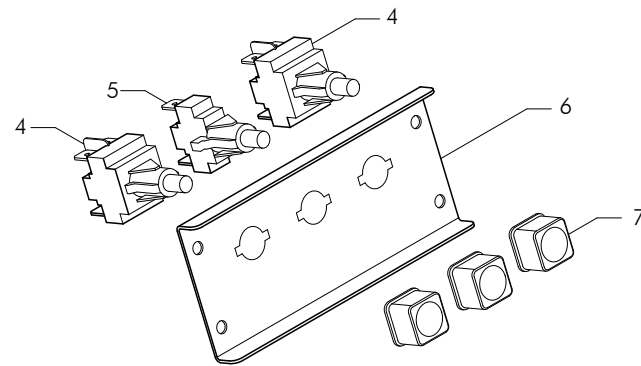
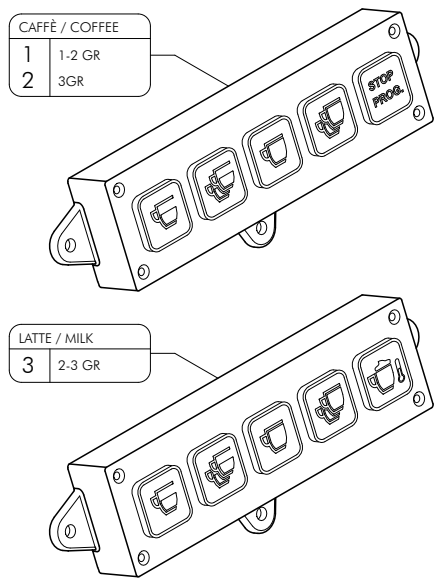
Pos	Cod.	Denominazione - IT -	Denomination - EN -	Denomination - FR -	Denomination - DE -
1	WY56910199	FIANCO ASS.SX GRIGIO/BIANCO PERLATO	ASSEMBLY LEFT SIDE WHITE	ASSEMBLE COTE GAUCHE BLANC	LINKS SEITE WEISS
2	WY56910198	FIANCO ASS.DX GRIGIO/BIANCO PERLATO	ASSEMBLY RIGHT SIDE WHITE	ASSEMBLE COTE DROIT BLANC	RECHTS SEITE WEISS
3	WY77686316	STAFFA INFERIORE FIANCO SINISTRO	LEFT BRACKET	CROCHET GAUCHE	LINKE KLAMMER
4	WY77686315	STAFFA INFERIORE FIANCO DESTRO	RIGHT BRACKET	CROCHET DROIT	RECHTS KLAMMER
5	WY77686312	GUIDA BACINELLA SINISTRA	LEFT BASIN GUIDE	LINKS GUIDE	GAUCHE CUVE GUIDE
6	WY77686311	GUIDA BACINELLA DESTRA	RIGHT BASIN GUIDE	DROIT CUVE GUIDE	RECHTS GUIDE
7	WY77686314	PROFILO SINISTRO FIANCO	LEFT SIDE PROFIL	GAUCHE PROFIL	LINKS PROFIL
8	WY77686313	PROFILO DESTRO FIANCO	RIGHT SIDE PROFIL	DROIT PROFIL	RECHTS PROFIL
9	WY77686318	STAFFA SUPERIORE FIANCO SINISTRO	LEFT SIDE BRACKET	GAUCHE ETRIER	HALTERUNG LINKS
10	WY77686317	STAFFA SUPERIORE FIANCO DESTRO	RIGHT SIDE BRACKET	DROIT ETRIER	HALTERUNG RECHTS
11	WY15278058	MANOPOLA RUBINETTO	KNOB	POIGNEE	HAHGRIF
12	WY10459	MOLLA INTERNA MANOPOLA	STEEL FLAT SPRING FOR KNOB	RESSORT POIGNEE	FEDER HANDGRIF
13	WY25006007	ASS.BLOCCHETTO A SFERA SINISTRO GRIGLIA A	LEFT GRID BLOCK	BLOC DE GRILLE GAUCHE	LINKEN KUGELRASTUNG
14	WY25006006	ASS.BLOCCHETTO A SFERA DESTRO GRIGLIA A RI	RIGHT GRID BLOCK	BLOC DE GRILLE DROITE	RECHTS KUGELRASTUNG
15	WY76149093	GRIGLIA RIALZO TAZZE FILO SALDATO	CUPS-STAND FOR RAISED GROUP	GRILLE POUR GROUPES REHAISSES	GITTER FUER HOHE GRUPPE
16	WY25006008	PERNO BLOCCO GRIGLIA A RIBALTA	GRID LOCK PIN FLAP	PIVOT DE BLOC POUR GRILLE	TURANGEL FUR BLOCK-GITTER
17	WY29052027	ETICHETTA ADESIVA SIMBOLO LIVELLO ACQUA	ADHESIVE LABEL WATER	ETIQ. ADHES. EAU	KLEBEETIKETTE WASSER
18	WY4621115001	MANOMETRO TONDO DOPPIA SCALA	PRESSURE GAUGE BLACK	MANOMETRE NOIR	MANOMETER SCHWARZ
19	WY15318	PIEDINO REGOLABILE INOX/SAT H55/69	ADJUSTABLE FOOT H55/69	PIED REGLABLE H55/69	REGELBARER FUSS H55/69
20	WY15502	VASCHETTA SCARICO ROTONDA D 80	ROUND DRAIN BASIN D.80mm	CUVE A VIDANGER RONDE D.80mm	RUNDE ABFLUSSCHALE D.80mm
21	WY29089359	TARGETTA ADESIVA "IO" CROMATA FONDO NERO	ADHESIVE LABEL -IO-	ETIQUETTE ADHESIVE -IO-	KLEBEETIKETT -IO-
22	WY29089399	ETICHETTA WEGA ROSSA 32x86	ADHESIVE LABEL WEGA RED 32X86	ETIQUETTE ADHESIVE	KLEBEETIKETT
23	WY23420006	VITE TE BOMBATA M4x12	M4x12 NICKEL-PLATED BRASS HEX.HEAD SCREW	VIS TH LAITON M4x12 NICKELEE	SECHSKANTSCHRAUBE AUS MESSING M4x12
24	WY29089374	ETICHETTA WEGA ROSSA 50x140	ADHESIVE LABEL WEGA RED 50X140	ETIQUETTE ADHESIVE	KLEBEETIKETT
25	WY75549113	PROFILO ANT.BACINELLA 1GR GRIGIO/9006	FRONT PROFILE BASIN COMPACT	BASSIN DE LA BARRE DE CHARGE COMPACT	FRONTPROFIL BECKEN KOMPAKT
26	WY75549143	PROFILO ANT.BACINELLA 2GR GRIGIO/9006	FRONT PROFILE BASIN 2GR	BASSIN DE LA BARRE DE CHARGE 2GR	FRONTPROFIL BECKEN 2GR
27	WY75549173	PROFILO ANT.BACINELLA 3GR GRIGIO/9006	FRONT PROFILE BASIN 3GR	BASSIN DE LA BARRE DE CHARGE 3GR	FRONTPROFIL BECKEN 3GR
28	WY76080115	BACINELLA SCARICO 1GR	BASIN COMPACT	BASSIN COMPACT	BECKEN KOMPAKT
29	WY76080116	BACINELLA SCARICO 2GR	BASIN 2GR	BASSIN 2GR	BECKEN 2GR
30	WY76080118	BACINELLA SCARICO 3GR	BASIN 3GR	BASSIN 3GR	BECKEN 3GR
31	WY76149147	GRIGLIA BACINELLA 1GR	TOP BACK GRATE	GRILLE SUPERIEURE DERRIEURE	OBERES HINTERES GITTER
32	WY76149148	GRIGLIA BACINELLA 2GR	GRILL TRAY 2GR	PLATEAU DE GRILLADES 2GR	GRILLSCHALLE 2GR
33	WY76149142	GRIGLIA BACINELLA 3GR	GRILL TRAY 3GR	PLATEAU DE GRILLADES 3GR	GRILLSCHALLE 3GR
34	WY77062083	COPRICALDAIA 1GR INOX/LUC	BOILER COVER 1GR	COUVRE CHAUDIERE 1GR	KESSELDECKEL 1GR
35	WY77062080	COPRICALDAIA 2GR INOX/LUC	BOILER COVER 2GR	COUVRE CHAUDIERE 2GR	KESSELDECKEL 2GR
36	WY77062082	COPRICALDAIA 3GR INOX/LUC	BOILER COVER 3GR	COUVRE CHAUDIERE 3GR	KESSELDECKEL 3GR
37	WY56901200	FRONT.ASS.EVD/1 GRIGIO	ASSEMBLY FRONT PANEL EVD/1	ENSEMBLE PANNEAU FRONTAL EVD/1	STIRNTAFEL EVD/1
38	WY56901192	FRONT.ASS.EVD/2 GRIGIO	ASSEMBLY FRONT PANEL EVD/2	ENSEMBLE PANNEAU FRONTAL EVD/2	STIRNTAFEL EVD/2
39	WY56901195	FRONT.ASS.EVD/3 GRIGIO	ASSEMBLY FRONT PANEL EVD/3	ENSEMBLE PANNEAU FRONTAL EVD/3	STIRNTAFEL EVD/3

Pos	Cod.	Denominazione - IT -	Denomination - EN -	Denomination - FR -	Denomination - DE -
40	WY77307017	COPRIMPIANTO 21GR	CABLE COVER	COUVRE-CABLAGE	VENDRAHTUNDECKEL
41	WY77307010	COPRIMPIANTO 2GR	CABLE COVER 2GR	COUVRE CABLAGE 2GR	VENDRAHTUNDECKEL 2GR
42	WY77307016	COPRIMPIANTO 3GR	CABLE COVER 3GR	COUVRE CABLAGE 3GR	VENDRAHTUNDECKEL 3GR
43	WY76638119	GRIGLIA SUPERIORE 1GR INOX	TOP GRATE 2GR S.STEEL	GRILLE SUP. 2GR INOX	BERGITTER 2GR STAHL
44	WY76638120	GRIGLIA SUPERIORE 2GR INOX	TOP GRATE 2GR S.STEEL	GRILLE SUP. 2GR INOX	BERGITTER 2GR STAHL
45	WY76638113	GRIGLIA SUPERIORE 3GR INOX UL	TOP GRATE 3GR S.STEEL	GRILLE SUP. 3GR INOX	BERGITTER 3GR STAHL
46	WY75549112	PROFILO 1GR GRIGIO	PROFIL COMPACT	PROFIL COMPACT	PROFIL KOMPAKT
47	WY75549142	PROFILO 2GR GRIGIO	PROFILE 2GR	PROFIL 2GR	PROFIL 2GR
48	WY75549172	PROFILO SUP/INF PANN.CARR.3GR GRIGIO/9006	PROFILE 3GR	PROFIL 3GR	PROFIL 3GR
49	WY75549144	PANNELLO POSTERIORE 2GR BIANCO/PERLATO	BACK PANEL 2GR WHITE	PANNEAU POST. 2GR BLANC	RUCKWAND 2GR WEISS
50	WY75549174	PANNELLO POSTERIORE 3GR BIANCO/PERLATO	BACK PANEL 3GR WHITE	PANNEAU POST. 3GR BLANC	RUCKWAND 3GR WEISS
51	WY21162187	PLEXIGLASS SUP.2GR REV.06/18	PLEXIGLASS 2GR	PLEXIGLASS 2GR	PLEXIGLASS 2GR
52	WY21162129	PLEXIGLASS SUP.3GR REV.06/18	PLEXIGLASS 3GR	PLEXIGLASS 3GR	PLEXIGLASS 3GR

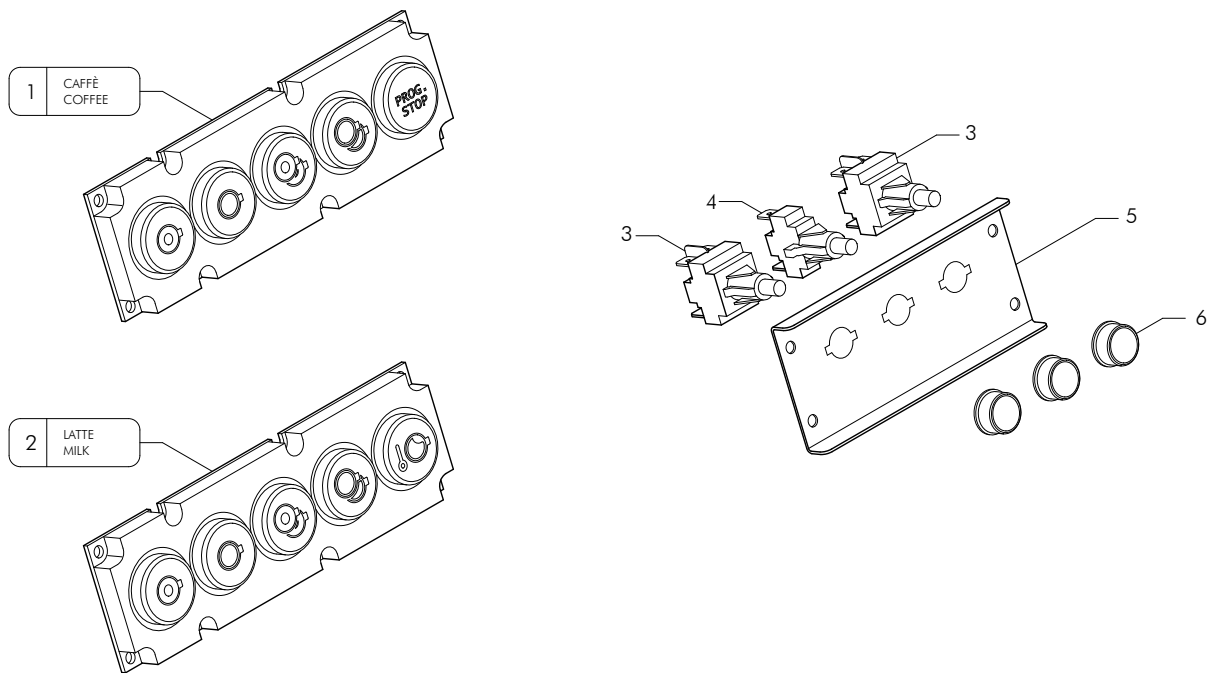


Pos	Cod.	Denominazione - IT -	Denomination - EN -	Denomination - FR -	Denomination - DE -
1	WY56910199	FIANCO ASS.SX GRIGIO/BIANCO PERLATO	ASSEMBLY LEFT SIDE WHITE	ASSEMBLE COTE GAUCHE BLANC	LINKS SEITE WEISS
2	WY56910198	FIANCO ASS.DX GRIGIO/BIANCO PERLATO	ASSEMBLY RIGHT SIDE WHITE	ASSEMBLE COTE DROIT BLANC	RECHTS SEITE WEISS
3	WY77686316	STAFFA INFERIORE FIANCO SINISTRO	LEFT BRACKET	CROCHET GAUCHE	LINKE KLAMMER
4	WY77686315	STAFFA INFERIORE FIANCO DESTRO	RIGHT BRACKET	CROCHET DROIT	RECHTS KLAMMER
5	WY77686312	GUIDA BACINELLA SINISTRA	LEFT BASIN GUIDE	LINKS GUIDE	GAUCHE CUVE GUIDE
6	WY77686311	GUIDA BACINELLA DESTRA	RIGHT BASIN GUIDE	DROIT CUVE GUIDE	RECHTS GUIDE
7	WY77686314	PROFILO SINISTRO FIANCO	LEFT SIDE PROFIL	GAUCHE PROFIL	LINKS PROFIL
8	WY77686313	PROFILO DESTRO FIANCO	RIGHT SIDE PROFIL	DROIT PROFIL	RECHTS PROFIL
9	WY77686318	STAFFA SUPERIORE FIANCO SINISTRO	LEFT SIDE BRACKET	GAUCHE ETRIER	HALTERUNG LINKS
10	WY77686317	STAFFA SUPERIORE FIANCO DESTRO	RIGHT SIDE BRACKET	DROIT ETRIER	HALTERUNG RECHTS
11	WY15278058	MANOPOLA RUBINETTO	KNOB	POIGNEE	HAHGRIF
12	WY10459	MOLLA INTERNA MANOPOLA	STEEL FLAT SPRING FOR KNOB	RESSORT POIGNEE	FEDER HANDGRIF
13	WY25006007	ASS.BLOCCETTO A SFERA SINISTRO GRIGLIA A	LEFT GRID BLOCK	BLOC DE GRILLE GAUCHE	LINKEN KUGELRASTUNG
14	WY25006006	ASS.BLOCCETTO A SFERA DESTRO GRIGLIA A RI	RIGHT GRID BLOCK	BLOC DE GRILLE DROITE	RECHTS KUGELRASTUNG
15	WY76149093	GRIGLIA RIALZO TAZZE FILO SALDATO	CUPS-STAND FOR RAISED GROUP	GRILLE POUR GROUPES REHAISSES	GITTER FUER HOHE GRUPPE
16	WY25006008	PERNO BLOCCO GRIGLIA A RIBALTA	GRID LOCK PIN FLAP	PIVOT DE BLOC POUR GRILLE	TURANGEL FUR BLOCK-GITTER
17	WY29052027	ETICHETTA ADESIVA SIMBOLO LIVELLO ACQUA	ADHESIVE LABEL WATER	ETIQ. ADHES. EAU	KLEBEETIKETTE WASSER
18	WY4621115001	MANOMETRO TONDO DOPPIA SCALA	PRESSURE GAUGE BLACK	MANOMETRE NOIR	MANOMETER SCHWARZ
19	WY15318	PIEDINO REGOLABILE INOX/SAT H55/69	ADJUSTABLE FOOT H55/69	PIED REGLABLE H55/69	REGELBARER FUSS H55/69
20	WY15502	VASCHETTA SCARICO ROTONDA D 80	ROUND DRAIN BASIN D.80mm	CUVE A VIDANGER RONDE D.80mm	RUNDE ABFLUSSCHALE D.80mm
21	WY29089359	TARGHETTA ADESIVA "IO" CROMATA FONDO NERO	ADHESIVE LABEL -IO-	ETIQUETTE ADHESIVE -IO-	KLEBEETIKETT -IO-
22	WY29089399	ETICHETTA WEGA ROSSA 32x86	ADHESIVE LABEL WEGA RED 32X86	ETIQUETTE ADHESIVE	KLEBEETIKETT
23	WY23420006	VITE TE BOMBATA M4x12	M4x12 NICKEL-PLATED BRASS HEX.HEAD SCREW	VIS TH LAITON M4x12 NICKELEE	SECHSKANTSCHRAUBE AUS MESSING M4x12
24	WY29089374	ETICHETTA WEGA ROSSA 50x140	ADHESIVE LABEL WEGA RED 50X140	ETIQUETTE ADHESIVE	KLEBEETIKETT
25	WY75549113	PROFILO ANT.BACINELLA 1GR GRIGIO/9006	FRONT PROFILE BASIN COMPACT	BASSIN DE LA BARRE DE CHARGE COMPACT	FRONTPROFIL BECKEN KOMPAKT
26	WY75549143	PROFILO ANT.BACINELLA 2GR GRIGIO/9006	FRONT PROFILE BASIN 2GR	BASSIN DE LA BARRE DE CHARGE 2GR	FRONTPROFIL BECKEN 2GR
27	WY75549173	PROFILO ANT.BACINELLA 3GR GRIGIO/9006	FRONT PROFILE BASIN 3GR	BASSIN DE LA BARRE DE CHARGE 3GR	FRONTPROFIL BECKEN 3GR
28	WY76080115	BACINELLA SCARICO 1GR	BASIN COMPACT	BASSIN COMPACT	BECKEN KOMPAKT
29	WY76080116	BACINELLA SCARICO 2GR	BASIN 2GR	BASSIN 2GR	BECKEN 2GR
30	WY76080118	BACINELLA SCARICO 3GR	BASIN 3GR	BASSIN 3GR	BECKEN 3GR
31	WY76149147	GRIGLIA BACINELLA 1GR	TOP BACK GRATE	GRILLE SUPERIEURE DERRIEURE	OBERES HINTERES GITTER
32	WY76149148	GRIGLIA BACINELLA 2GR	GRILL TRAY 2GR	PLATEAU DE GRILLADES 2GR	GRILLSCHALLE 2GR
33	WY76149142	GRIGLIA BACINELLA 3GR	GRILL TRAY 3GR	PLATEAU DE GRILLADES 3GR	GRILLSCHALLE 3GR
34	WY77062083	COPRICALDAIA 1GR INOX/LUC	BOILER COVER 1GR	COUVRE CHAUDIERE 1GR	KESSELDECKEL 1GR
35	WY77062080	COPRICALDAIA 2GR INOX/LUC	BOILER COVER 2GR	COUVRE CHAUDIERE 2GR	KESSELDECKEL 2GR
36	WY77062082	COPRICALDAIA 3GR INOX/LUC	BOILER COVER 3GR	COUVRE CHAUDIERE 3GR	KESSELDECKEL 3GR
37	WY56901176	FRONT.ASS.EVD/1 IO GRIGIO -2019-	ASSEMBLY FRONT PANEL EVD/1 -2019-	ENSEMBLE PANNEAU FRONTAL EVD/1 -2019-	STIRNTAFEL EVD/1 -2019-
38	WY56901175	FRONT.ASS.EVD/2 IO GRIGIO -2019-	ASSEMBLY FRONT PANEL EVD/2 -2019-	ENSEMBLE PANNEAU FRONTAL EVD/2 -2019-	STIRNTAFEL EVD/2 -2019-
39	WY56901177	FRONT.ASS.EVD/3 IO GRIGIO -2019-	ASSEMBLY FRONT PANEL EVD/3 -2019-	ENSEMBLE PANNEAU FRONTAL EVD/3 -2019-	STIRNTAFEL EVD/3 -2019-

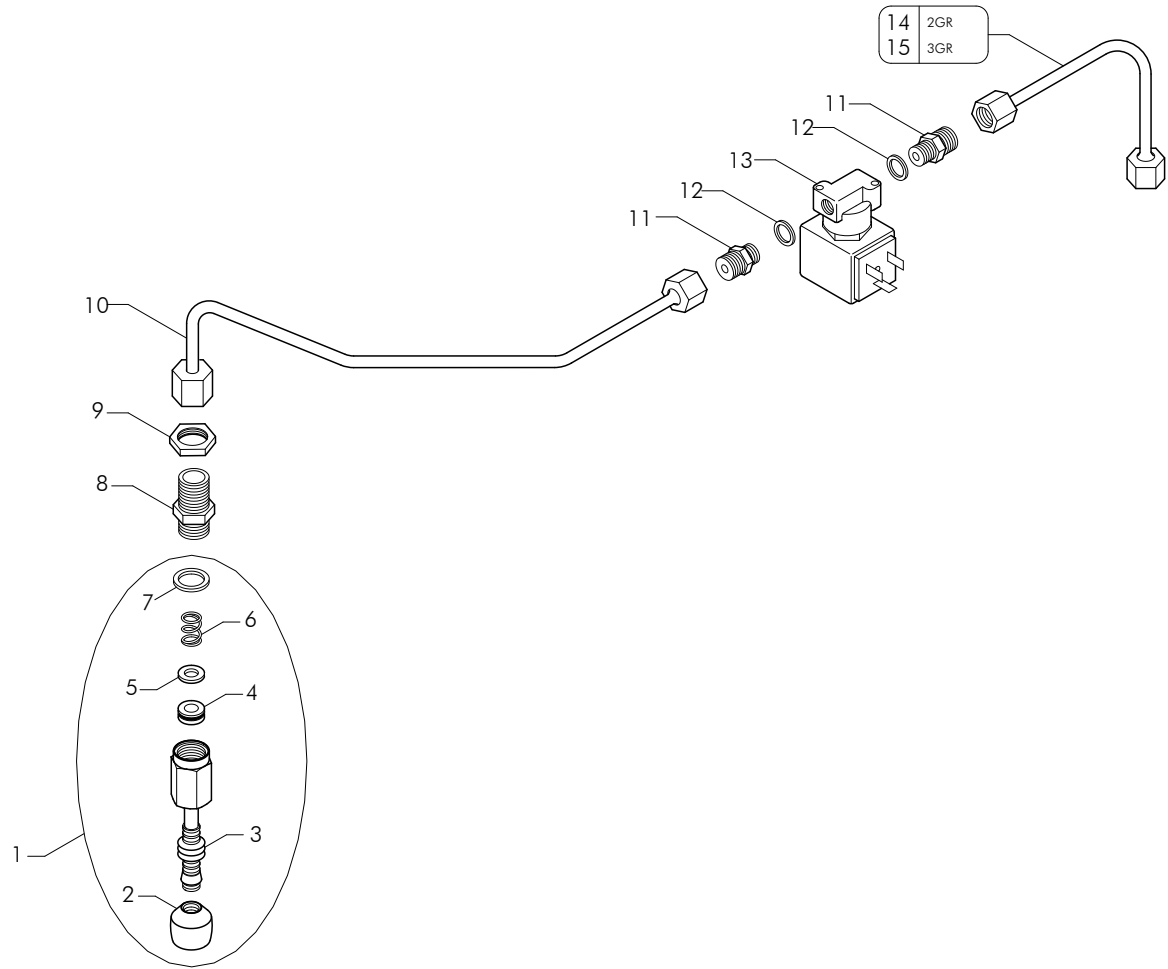
Pos	Cod.	Denominazione - IT -	Denomination - EN -	Denomination - FR -	Denomination - DE -
40	WY77307017	COPRIMPIANTO 21GR	CABLE COVER	COUVRE-CABLAGE	VENDRAHTUNDECKEL
41	WY77307010	COPRIMPIANTO 2GR	CABLE COVER 2GR	COUVRE CABLAGE 2GR	VENDRAHTUNDECKEL 2GR
42	WY77307016	COPRIMPIANTO 3GR	CABLE COVER 3GR	COUVRE CABLAGE 3GR	VENDRAHTUNDECKEL 3GR
43	WY76638119	GRIGLIA SUPERIORE 1GR INOX	TOP GRATE 2GR S.STEEL	GRILLE SUP. 2GR INOX	OBERGITTER 2GR STAHL
44	WY76638120	GRIGLIA SUPERIORE 2GR INOX	TOP GRATE 2GR S.STEEL	GRILLE SUP. 2GR INOX	OBERGITTER 2GR STAHL
45	WY76638113	GRIGLIA SUPERIORE 3GR INOX UL	TOP GRATE 3GR S.STEEL	GRILLE SUP. 3GR INOX	OBERGITTER 3GR STAHL
46	WY75549112	PROFILO 1GR GRIGIO	PROFIL COMPACT	PROFIL COMPACT	PROFIL KOMPAKT
47	WY75549142	PROFILO 2GR GRIGIO	PROFILE 2GR	PROFIL 2GR	PROFIL 2GR
48	WY75549172	PROFILO SUP/INF PANN.CARR.3GR GRIGIO/9006	PROFILE 3GR	PROFIL 3GR	PROFIL 3GR
49	WY75549144	PANNELLO POSTERIORE 2GR BIANCO/PERLATO	BACK PANEL 2GR WHITE	PANNEAU POST. 2GR BLANC	RUCKWAND 2GR WEISS
50	WY75549174	PANNELLO POSTERIORE 3GR BIANCO/PERLATO	BACK PANEL 3GR WHITE	PANNEAU POST. 3GR BLANC	RUCKWAND 3GR WEISS
51	WY21162187	PLEXIGLASS SUP.2GR REV.06/18	PLEXIGLASS 2GR	PLEXIGLASS 2GR	PLEXIGLASS 2GR
52	WY21162129	PLEXIGLASS SUP.3GR REV.06/18	PLEXIGLASS 3GR	PLEXIGLASS 3GR	PLEXIGLASS 3GR



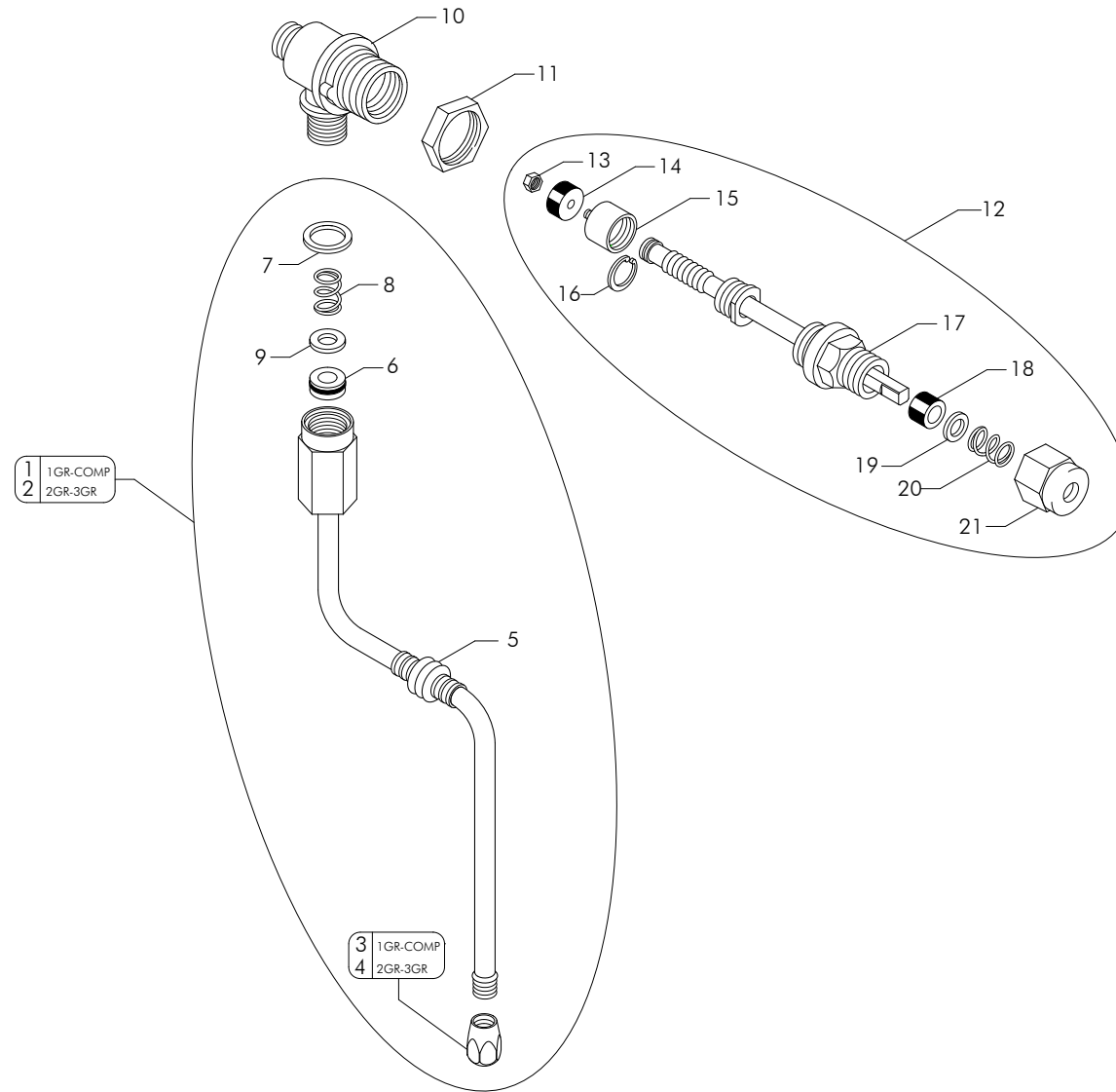
Pos	Cod.	Denominazione - IT -	Denomination - EN -	Denomination - FR -	Denomination - DE -
1	WY8318371196R	KIT PULSANTIERA 1-2GR	KIT PUSH BUTTON 1-2GR	KIT CLAVIER 1-2GR	KIT BEDIENBLENDEN 1-2GR
2	WY8318371248R	KIT PULSANTIERA 3GR	KIT PUSH BUTTON 3GR	KIT CLAVIER 3GR	KIT BEDIENBLENDEN 3GR
3	WY8318371249R	KIT PULSANTIERA LATTE	KIT PUSH BUTTON MILK	KIT CLAVIER LAIT	KIT BEDIENBLENDEN MILCH
4	WY18371057	INTERRUTTORE BIPOLARE	TWO POLE SWITCH	INTERRUPTEUR BIPOLAIRE	ZWEIPOLIGER SCHALTER
5	WY18371058	PULSANTE UNIPOLARE	SINGLE POLE PUSHBUTTON	BOUTON-POUSSOIR UNIPOLAIRE	EINPOLIGER TASTER
6	WY77686331	PIASTRINA SUPPORTO INTERRUTTORI 2GR	SWITCH SUPPORT PLATE	PLAQUE DE SUPPORT COMMUTATEUR	SCHALTER TRAGERPLATTE
7	WY15373076	TASTO CROMATO	CHROMED KEY	TOUCHE CHROMEE	CHROM TASTE



Pos	Cod.	Denominazione - IT -	Denomination - EN -	Denomination - FR -	Denomination - DE -
1	WY18371262	PULSANTIERA 5T IO -2019-	PUSH BUTTON 5K -2019-	CLAVIER 5B IO -2019-	BEDIENBLENDEN 5B IO -2019-
2	WY18371265	PULSANTIERA 5T IO AUTOSTEAMER -2019-	PUSH BUTTON 5KAUTOSTEAMER -2019-	CLAVIER 5B IO AUTOSTEAMER -2019-	BEDIENBLENDEN 5B IO AUTOSTEAMER -2019-
3	WY18371057	INTERRUTTORE BIPOLARE	TWO POLE SWITCH	INTERRUPTEUR BIPOLAIRE	ZWEIPOLIGER SCHALTER
4	WY18371058	PULSANTE UNIPOLARE	SINGLE POLE PUSHBUTTON	BOUTON-POUSSOIR UNIPOLAIRE	EINPOLIGER TASTER
5	WY77686331	PIASTRINA SUPPORTO INTERRUTTORI 2GR	SWITCH SUPPORT PLATE	PLAQUE DE SUPPORT COMMUTATEUR	SCHALTER TRAGERPLATTE
6	WY15373060	TASTO PULSANTIERE MECCANICHE CROMATO	CHROMED KEY	TOUCHE CHROMEE	CHROM TASTE

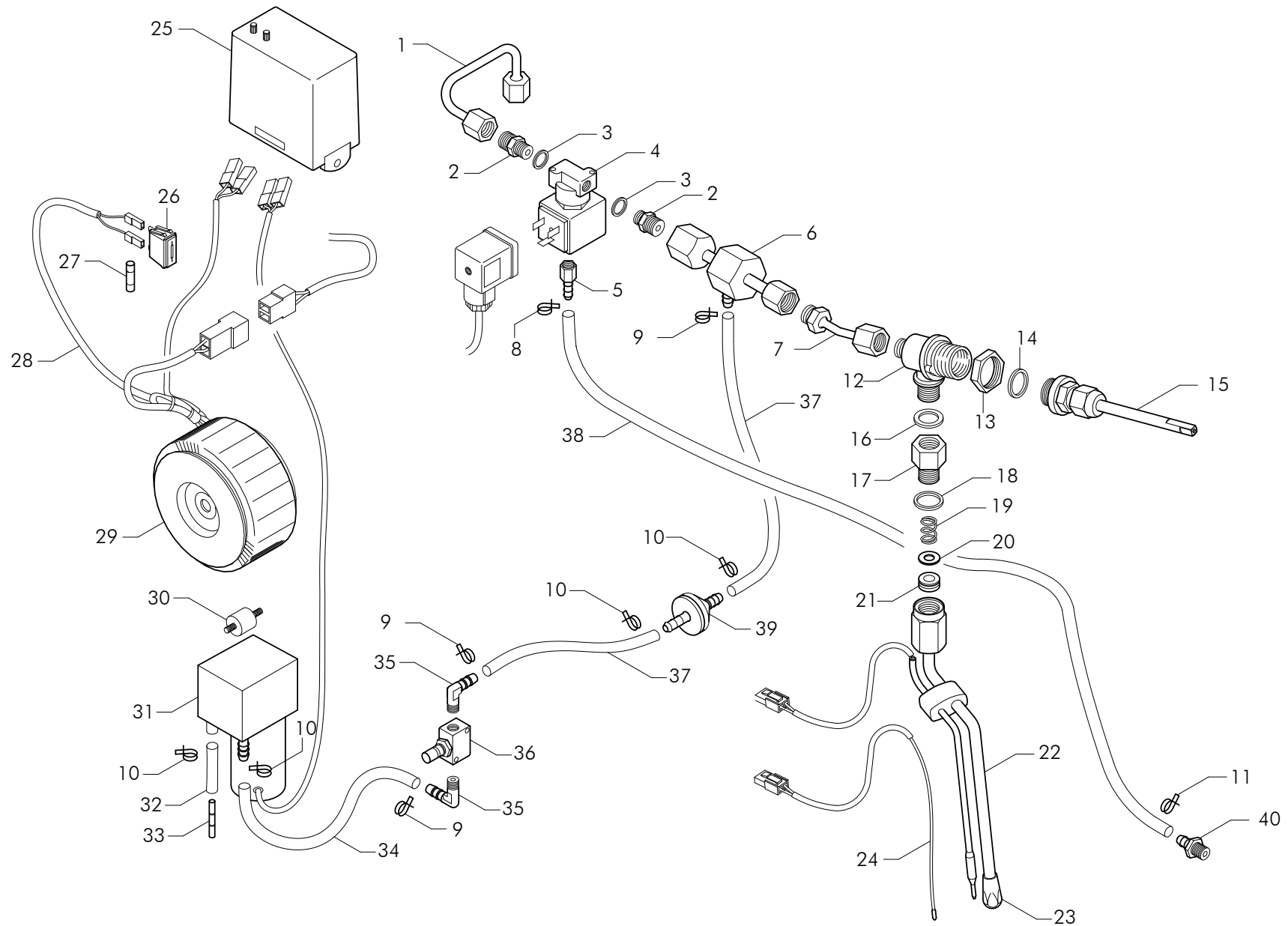


Pos	Cod.	Denominazione - IT -	Denomination - EN -	Denomination - FR -	Denomination - DE -
1	WY25763185	TUBO ACQUA MOBILE INOX	WATER TAP UNIT	ENSEMBLE ROBINET EAU	WASSER ROHRSATZ
2	WY4725763142	SPRUZZATORE ACQUA INOX	EXTERNAL WATER NOZZLE	ATOMISEUR D'EAU EXTERIEUR	WASSERDUSE CHROM DAMPF
3	WY15296000	GOMMINO ANTISCOTTATURA D-8	ANTI-BURNING RUBBER D-8	ELEMENT ANTI-BRULURE D-8	GUMMI GEGEN VERBRENNUNGEN F. D-8
4	WY12661	GUARNIZIONE OR CON LUNETTA P.MOLLA	OR REST FOR ST.STEEL STEAM PIPE	OR LUNETTE P.RESSORT TUYAU VAP. INOX	HALBE OR-DICHT.F.FEDER DAMPFROHR ED
5	WY23260018	RONDELLA ELASTICA D-14,2 Sp.1	WASHER D-14,2	RONDELLE D-14,2	SCHEIBE D-14,2
6	WY10452	MOLLA RUBINETTO ACQUA/VAPORE N4	WATER/STEAM TAP SPRING N4	RESSORT DE ROBINET EAU-VAPEUR N4	WASSER/DAMPF HAHNFEDER N4
7	WY12010	GUARNIZIONE TEFLON ACQUA/VAPORE 20x17x2	PIPE GASKET TEFLON 20x17x2	JOINT TUYAU TEFLON EAU/VAP TEFLON 20x17x2	TEFLON-DICHTUNG WASSER/VAP 20x17x2
8	WY4625681002	RACCORDO CANNA H2O/VAP	E22 H2O/STEAM TUBE FITTING	RACCORD CONDUIT H2O/VAP E22	SCHLAUCHANSCHLUSS H2O/DAMPF E22
9	WY25356	CONTRODADO OTTONE 3/8	BRASS LOCK NUT 3/8	CONTRE-ECROU LAITON 3/8	MESSING-GEGENMUTTER 3/8
10	WY4652000390	TUBO D-6 L.360	TUBE D-6 L.360	TUYAU D-6 L.360	ROHR D-6 L.360
11	WY4925707	RACCORDO 1/8x1/4	CONNECTOR 1/8x1/4 CW510L	RACCORD 1/8x1/4 CW510L	ANSCHLUSS 1/8x1/4 CW510L
12	WY12156	GUARNIZIONE CU 1/8 Sp.2	GASKET	JOINT	DICHTUNG
13	WY4918162005	ELETTROVALVOLA AEA 220-240V 50-60Hz VDE	SOL.VALVE WATER REFILL 220/240 50/60HZ VDE	ELECTROVANNE REA 220/240V 50/60Hz VDE/CW5	ELEKTROVENTIL AWZ 230/250 V 50/60 Hz VDE/
14	WY4952000389	TUBO D-6 L.125	TUBE D-6 L.125	TUYAU D-6 L.125	ROHR D-6 L.125
15	WY4952001118	TBS.D-6 L.150 TB217	TUBE D-6 L.150	TUYAU D-6 L.150	ROHR D-6 L.150



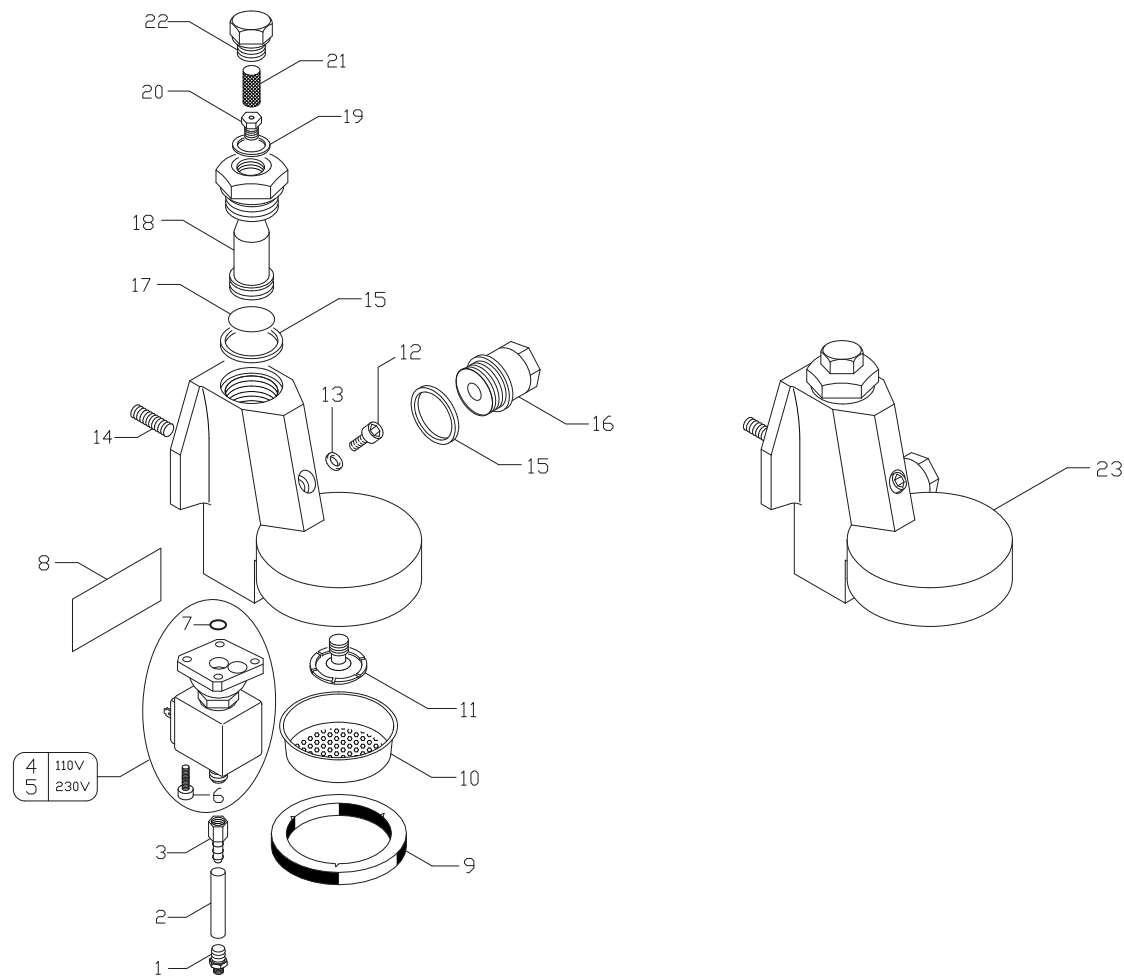
VAPORE - STEAM - VAPEUR - DAMPF

Pos	Cod.	Denominazione - IT -	Denomination - EN -	Denomination - FR -	Denomination - DE -
1	WY25763118	TUBO VAPORE INOX D.8 90? SPRUZZATORE 3 FOR	STEAM PIPE ASSEMBLY D.8	TUYAU VAPEUR D.8	DAMPFROHRSATZ D-8
2	WY25763117	TUBO VAPORE INOX D.8 90.	STEAM PIPE ASSEMBLY D.8	TUYAU VAPEUR D.8	DAMPFROHRSATZ D-8
3	WY25763167	SPRUZZATORE VAPORE INX M8x1 3 FORI x TUBO	STEEL STEAM SPRAYER	VAPORISATEUR INOX	STAHLDAMPFER
4	WY25763080	SPRUZZATORE VAPORE 4 FORI TUBO D.8	STEEL STEAM SPRAYER	VAPORISATEUR INOX	STAHLDAMPFER
5	WY15296000	GOMMINO ANTISCOTTATURA D-8	ANTI-BURNING RUBBER D-8	ELEMENT ANTI-BRULURE D-8	GUMMI GEGEN VERBRENNUNGEN F. D-8
6	WY12661	GUARNIZIONE OR CON LUNETTA P.MOLLA	OR REST FOR ST.STEEL STEAM PIPE	OR LUNETTE P.RESSORT TUYAU VAP. INOX	HALBE OR-DICHT.F.FEDER DAMPFROHR ED
7	WY15191000	RONDELLA TEFLON DADO CANNA VAPORE	TEFLON BUSHEL FOR STEAM PIPE NUT	JOINT TEFLON	TEFLON-DICHTUNG
8	WY10465001	MOLLA De 11,4 Df1,7 AISI 302	STEAM SPRING S.STEEL	RESSORT AISI	DAMPF HAHNFEDEN STAHL
9	WY23260018	RONDELLA ELASTICA D-14,2 Sp.1	WASHER D-14,2	RONDELLE D-14,2	SCHEIBE D-14,2
10	WY53003	CORPO RUBINETTO	TAP BODY	CORPS DE ROBINET	HAHNKORPER
11	WY25384	DADO OTTONE M26x1.5	BRASS NUT 26X1.5	ECROU LAITON 26X1.5	MESSING-MUTTER 26X1.5
12	WY4956105011	ASSIEME RUBINETTO	LIMITED ROTATION TAP	ROBINET	HAHN STAB
13	WY23050	DADO OTTONE M3	BRASS NUT M3	ECROU LAITON M3	MESSING-MUTTER M3
14	WY12203	GUARNIZIONE HNBR 15x4x4	RUBBER GASKET 15x4x4	JOINT EN CAOUTCHOUC 15X4X4	GUMMIDICHTUNG 15x4x4
15	WY4925616	PISTONCINO RUBINETTO	TAP JUMPER	PISTON ROBINET	HAHNKOLBEN
16	WY10001	ANELLO ARRESTO D6 INOX	STEEL CIRCLIP	CIRCLIP INOX	STAHLHALTENRING
17	WY4925678001	RACCORDO RUBINETTO R.T.	TAP FITTING	RACCORD ROBINET	HAHNANSCHLUSSTUCK
18	WY12204	GUARNIZIONE GOMMA RUBINETTO 12.5x7.5x9	TAP RUBBER GASKET 12.5x7.5x9	JOINT CAOUTCHOUC ROB. 12.5X7.5X9	HAHNDICHTUNG 12.5x7.5x9
19	WY25655052	DISCHETTO ASTA RUBINETTO	DISKETTE TAP ROS	DISQUETTE TIGE ROBINET	DISKETTE
20	WY10452	MOLLA RUBINETTO ACQUA/VAPORE N4	WATER/STEAM TAP SPRING N4	RESSORT DE ROBINET EAU-VAPEUR N4	WASSER/DAMPF HAHNFEDER N4
21	WY25385001	DADO PREMISTOPPA RUBINETTO + RONDELLA	TAP STUFFING NUT	ECROU DE PRESSE-ETOUPE ROBINET	STOPFBUCHSE MUTTER - HAHN

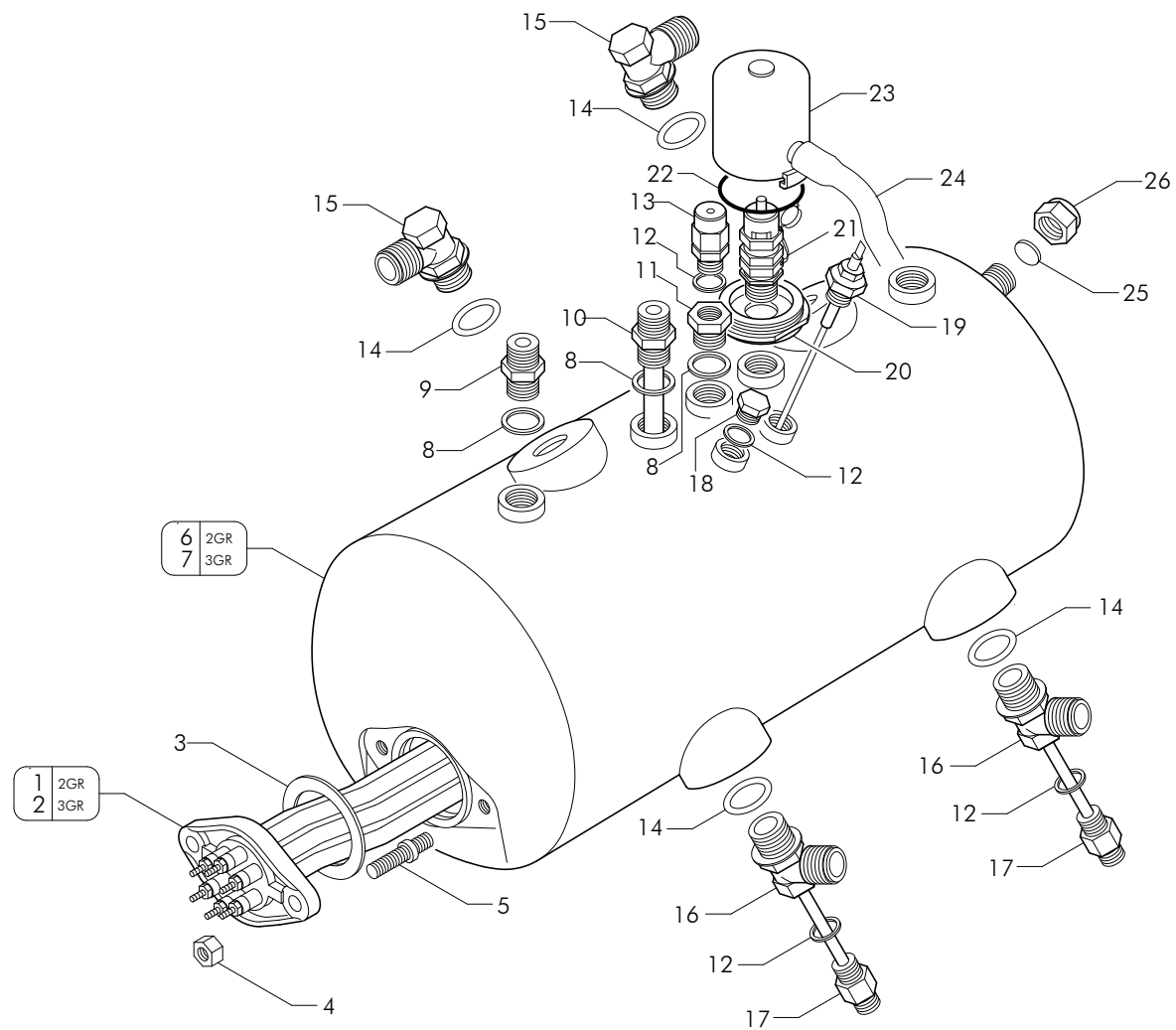


AUTOSTEAMER

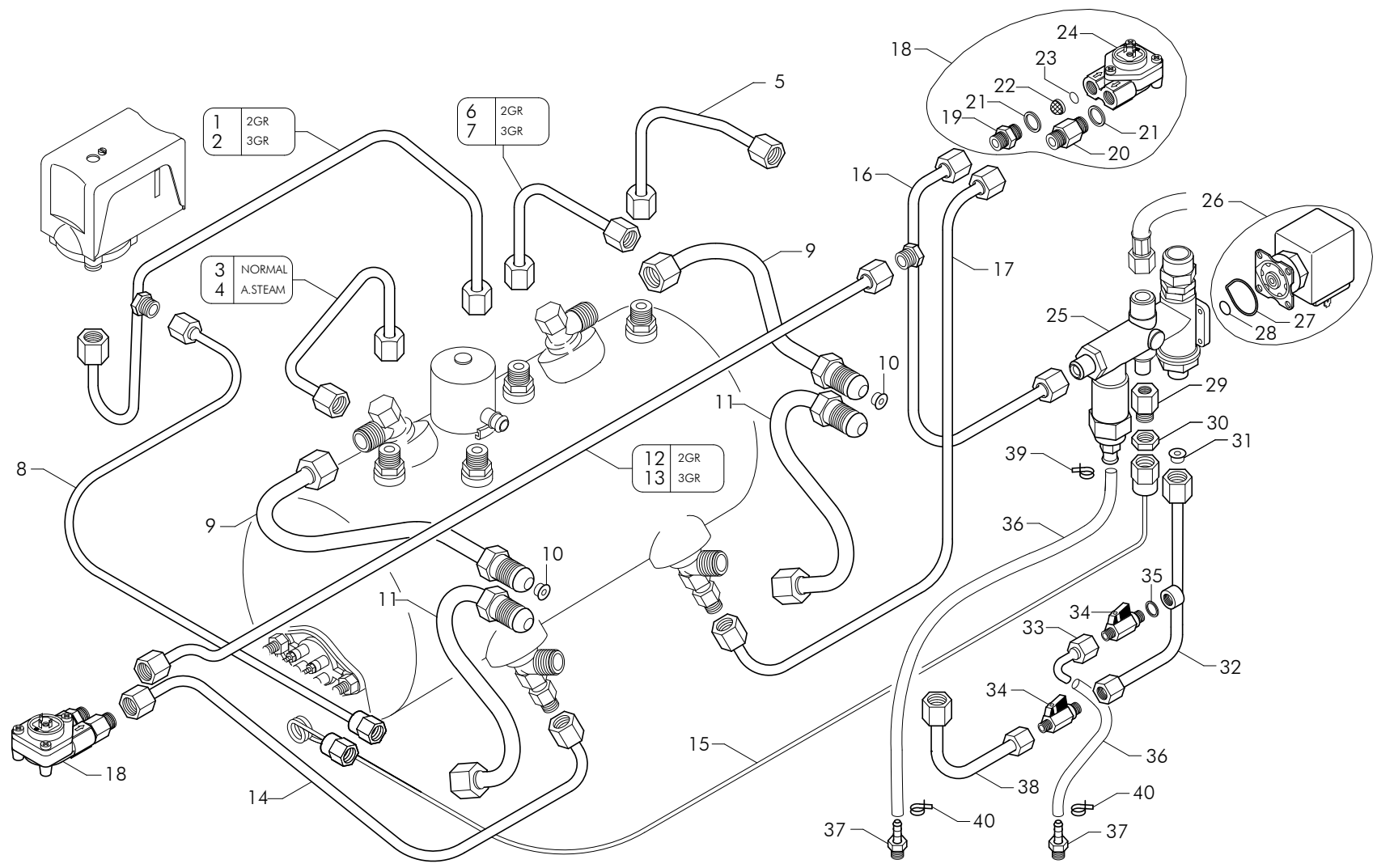
Pos	Cod.	Denominazione - IT -	Denomination - EN -	Denomination - FR -	Denomination - DE -
1	WY4952000958	TUBO D-8 L.120	TUBE D-6 L.120	TUYAU D-8 L.120	ROHR D-8 L.120
2	WY4925716	RACCORDO 3/8x1/4	3/8x1/4 FITTING	RACCORD 3/8x1/4	ANSCHLUSS 3/8x1/4
3	WY12153003	GUARNIZIONE RAME 1/4 Sp.2	GASKET 1/4 Sp.2 COPPER	JOINT CUIVRE 1/4 Sp.2	KUPFERDICHTUNG 1/4 Sp.2
4	WY4618161979	ELETTRORVALVOLA 3VIE 1/4x3,2 230V	SOLENOID VALVE 1/4-3,2 230V/50 ETL4	ELECTROVANNE 1/4-3,2 230V ETL4	MAGNETVENTIL 1/4 D-3,2 230V ETL4
5	WY4623228018	RACCORDO DRITTO 1/8F + PORTAGOMMA D-7	CONNECTOR 1/8F	RACCORD 1/8F	ANSCHLUSS 1/8F
6	WY25763155	INTERFACCIA EV VAPORE-CORPO RUBINETTO INOX	INTERFACE STEAM SOLENOID VALVE-TAP BODY	INTERFACE ELECTROVANNE VAP.-CORPS DE ROBIN	SCHNITTSTELLE DAMPFVENTIL-HAHNKORPER
7	WY4952000959	TUBO D-8 L.70	TUBE D-8 L.70	TUYAU D-8 L.70	ROHR D-8 L.70
8	WY15056002	FASCETTA BIFILARE A MOLLA D.10,4-11,0	CLAMP D.10,4 - 11,0	COLLIER D.10,4 - 11,0	SHELLE D.10,4 - 11,0
9	WY15056001	FASCETTA BIFILARE A MOLLA D.8,8-9,3	CLAMP D.8,8-9,3	COLLIER D.8,8-9,3	SHELLE D.8,8-9,3
10	WY15056000	FASCETTA BIFILARE A MOLLA D.7,8-8,3	CLAMP D.7,8-8,3	COLLIER D.7,8-8,3	SHELLE D.7,8-8,3
11	WY15056003	FASCETTA BIFILARE A MOLLA D.11-11.6	SPRING CLAMP BI FILAR D11,00-11.6	COLLIER BIFILAIRE RESSORT D.11,00-11.6	SHELLE D.11-11,6
12	WY4653003	CORPO RUBINETTO CW510L	TAP BODY CW510L	CORPS DE ROBINET CW510L	HAHNKORPER CW510L
13	WY25384	DADO OTTONE M26x1.5	BRASS NUT 26X1.5	ECROU LAITON 26X1.5	MESSING-MUTTER 26X1.5
14	WY12105	GUARNIZIONE CU/ALIM 1/2 GAS	CU GASKET 1/2 GAS	JOINT CU 1/2 GAZ	CU DICHTUNG 1/2 GAS
15	WY4956303003	ASTA RUB.PORTAMANOPOLA x AUTOSTEAMER	WATER/STEAM TAP UNIT	ENSEMBLE ROBINET EAU/VAPEUR	WASSER/DAMPF ROHRSATZ
16	WY12154001	GUARNIZIONE CU 3/8 22x17x2	GASKET COPPER 3/8 22x17x2	JOINT CUIVRE 3/8 22x17x2	KUPFERDICHTUNG 3/8 22x17x2
17	WY4925691015	RACCORDO PROLUNGA RUBINETTO 3/8M 3/8F	CONNECTOR TAP 3/8M 3/8F	RACCORD ROBINET 3/8M 3/8F	HAHNFITTING 3/8M 3/8F
18	WY12010	GUARNIZIONE TEFLON ACQUA/VAPORE 20x17x2	PIPE GASKET TEFLON 20x17x2	JOINT TUYAU TEFLON EAU/VAP TEFLON 20x17x2	TEFLON-DICHTUNG WASSER/VAP 20x17x2
19	WY10452	MOLLA RUBINETTO ACQUA/VAPORE N4	WATER/STEAM TAP SPRING N4	RESSORT DE ROBINET EAU-VAPEUR N4	WASSER/DAMPF HAHNFEDER N4
20	WY23260018	RONDELLA ELASTICA D-14,2 Sp.1	WASHER D-14,2	RONDELLE D-14,2	SCHEIBE D-14,2
21	WY12661	GUARNIZIONE OR CON LUNETTA P.MOLLA	OR REST FOR ST.STEEL STEAM PIPE	OR LUNETTE P.RESSORT TUYAU VAP. INOX	HALBE OR-DICHT.F.FEDER DAMPFROHR ED
22	WY25763204	KIT LANCIA-SONDA AUTOSTEAMER	KIT OF STEAM WAND+PROBE FOR AUTOSTEAMER	KIT LANCE+SONDE POUR AUTOSTEAMER	DAMPFROHR+SUNDE FUER AUTOM.DAMPF
23	WY25763206	SPRUZZATORE VAPORE INOX 3 FORI D.1.5	STEAM NOZZLE	ATOMISEUR VAPEUR	DAMPFDUSE
24	WY20306012	SENSORE NTC K10 AUTOSTEAMER	SENSOR NTC AUTOSTEAMER	SENSOR NTC AUTOSTEAMER	SENSOR NTC AUTOSTEAMER
25	WY18080006	CENTRALINA DOPPIO CTR.POMP. INGRANAGGI	GEAR PUMP CONTROL	CENTRALE DE CONTROLE DE POMPE	PUMPE-STEUERGERAT
26	WY19123002	PORTAFUSIBILE F430 250V 10A UR/VDE	FUSE HOLDER 250V 10A UR	PORTE-FUSIBLE 250V 10A UR	SICHRUNGSHALTER 250V 10A UR
27	WY19105	FUSIBILE 5x20 T-1A UR/VDE	FUSE 5x20 T-1A	FUSIBLE 5x20 T-1A	SCHMELZSICHERUNG 5x20 T-1A
28	WY22716191	CABLAGGIO PORTAFUSIBILE AUTOSTEAMER	WIRING CARRYING FUSE AUTOSTEAMER	CABLE AUTOSTEAMER	KABEL AUTOSTEAMER
29	WY18563006	TRASFORMATORE TOROIDALE 20VA 2x12V	TRANSFORMATOR 20VA	TRASFORMATOR 20VA	TRANSFORMATOR 20VA
30	WY15105	GOMMA AMMORTIZZATORE	RUBBER FOR MOTOR	CAOUTCHOUC POUR MOTEUR	GUMMI x MOTOR
31	WY26319010	MICROPOMPA NMP 830 KNDC 24VDC	MICROPUMP NMP 830 KNDC 24VDC	POMPE MICRO NMP 830 KNDC 24VDC	MIKROPUMPE NMP 830 KNDC 24VDC
32	WY15476004	TUBO SILICONE 4x8 BLU	SILICONE PIPE 4X8 BLUE	TUBE SILICONE 4X8 BLEU	SILIKONSCHLAUCH 4X8 BLAU
33	WY25500063	RACCORDO GIGLEUR AUTOSTEAMER D-0.2	JOINT GIGLEUR FOR AUTOSTEAMER D-0.2	RACCORD GIGLEUR POUR AUTOSTEAMER	RACCORDO GIGLEUR PER AUTOSTEAMER D-0.2
34	WY15451099	TUBO SILICONE D-3x7 L.290	TUBE SILICONE D-3X7 L.290	TUYAU SILICONE D-3X7 L.290	SILIKONROHR D-3X7 L.290
35	WY4823216	RACCORDO GOM.1/8M.CONICO+PORTAGOMMA D-6	CONICAL ELBOW CONNECTOR 1/8	RACCORD COUVE CONIQUE 1/8	KONISCHES FITTING 1/8
36	WY30499	REGOLATORE ARIA	AIR REGULATOR	REGULATEUR DE AIRE	REGLER
37	WY15451100	TUBO SILICONE D-3x7 L.100	TUBE SILICONE D-3X7 L.100	TUYAU SILICONE D-3X7 L.100	SILIKONROHR D3X7 L.100
38	WY15452162	TUBO SILICONE D-7x11 L.240	TUBE SILICONE D-7X11 L.240	TUYAU SILICONE D-7X11 L.240	SILIKONROHR D7X11 L.240
39	WY20358006	VALVOLA NON RITORNO IN PLASTICA	NON RETURN VALVE	SOUPAPE DE NON RETOUR	ABSPERRVENTIL
40	WY23221006	PORTAGOMMA 1/8M ES10 TUBO D.8	HOSE CONNECTION 1/8M	PORTE-CAOUTCHOUC 1/8M	GUMMIHALTER 1/8M



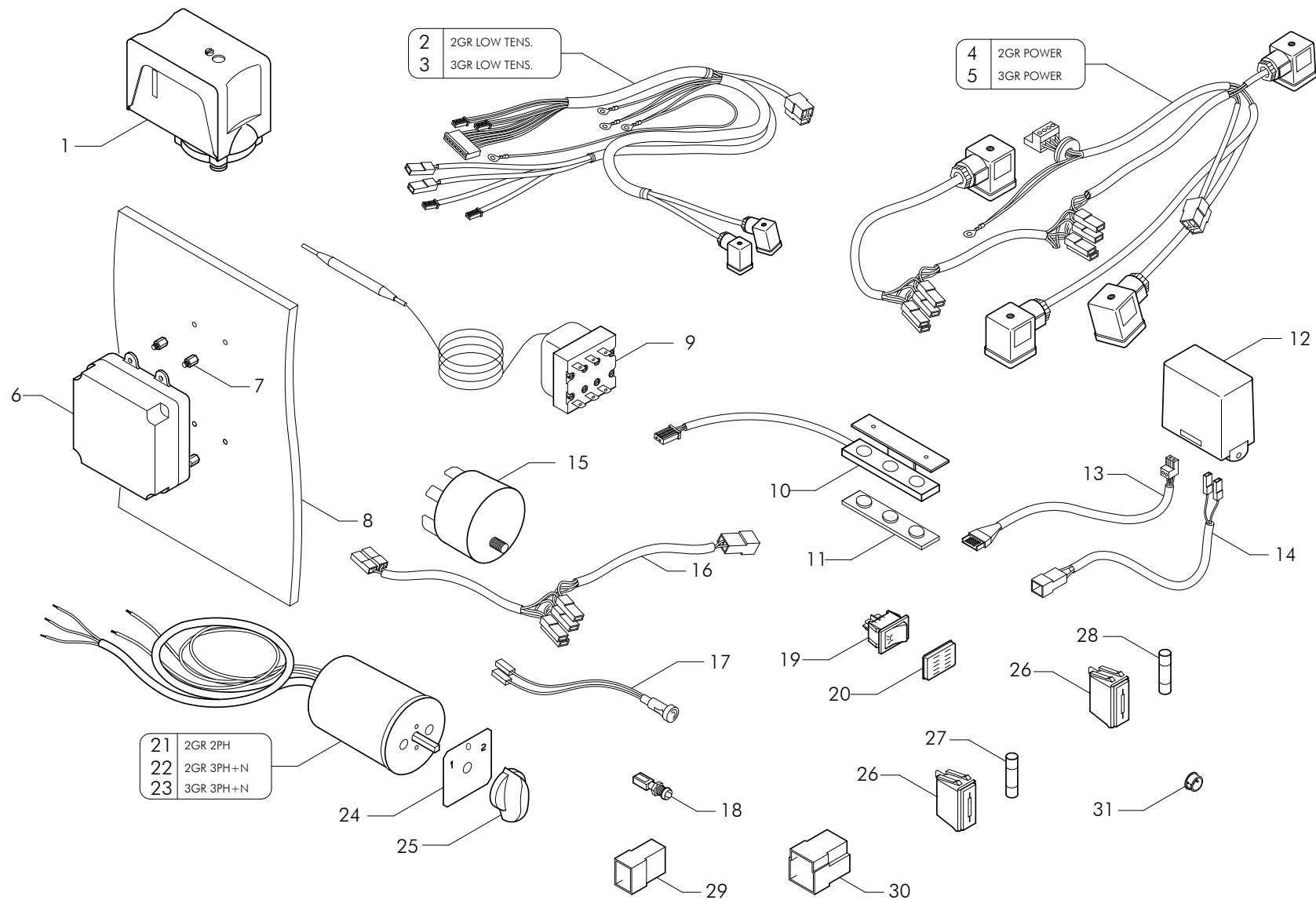
Pos	Cod.	Denominazione - IT -	Denomination - GB -	Denomination - FR -	Denomination - DE -
1	WY23221006	PORTAGOMMA 1/8M D.8	HOSE CONNECTION 1/8M	PORTE-CAOUTCHOU 1/8M	GUMMIHALTER 1/8M
2	WY15452141	TUBO SILICONE D-7x11 L.55	TUBE SILICONE D-7x11 L.55	TUYAU SILICONE D-7x11 L.55	SILIKONROHR D7x11 L.55
3	WY4823228022	RACCORDO DRITTO 1/8F + PORTAGOMMA D-8	HOSE CONNECTION 1/8F D-8	PORTE-CAOUTCHOU 1/8F D-8	GUMMIHALTER 1/8F D-8
4	WY834718181015R	KIT ELETTROVALVOLA GRUPPO 110-120V NSF	KIT GROUP SOLENOID VALVE 110-120V NSF	KIT ELECTROVANNE GROUPE 110-120V NSF	KIT MAGNETVENTIL GRUPPE 110-120V NSF
5	WY834918151R	KIT ELETTROVALVOLA GRUPPO 230V	GROUP SOLENOID VALVE 230V KIT	KIT ELECTROVANNE GROUPE 230V	MAGNETVENTIL GRUPPE KIT 230V
6	WY23551	VITE TCEI INOX 4x12	STEEL SCREW TCCE 4x12	VIS INOX TCCE 4x12	STAHLSCHRAUBE TCCE 4x12
7	WY12305	GUARNIZIONE OR	O RING	JOINT OR	O-RINGDICHT
8	WY29070104	ETICHETTA ADESIVA ARGENTO LUCIDO	LABEL	ETIQUETTE	ETIKETTE
9	WY12227	GUARNIZIONE SOTTOCOPPA 73,5x57,5x8	GROUP UNDERCUP SEAL 73,5x57,5x8	JOINT SOUCOUCPE 73,5X57,5X8	FILTERGRIFFDICHTUNG 73,5x57,5x8
9	WY12228	GUARNIZIONE SOTTOCOPPA 73,5x57,5x8,5	GROUP UNDERCUP SEAL 73,5x57,8x8,5	JOINT SOUCOUCPE 73,5X57,5X8,5	FILTERGRIFFDICHTUNG 73,5x57,5x8,5
10	WY27104	DOCCETTA GRUPPO INOX	S.STEEL GROUP SHOWER	DOUCHETTE GROUPE INOX	DUSCHE VERTEILEREINHEIT
11	WY4827105	DIFFUSORE GRUPPO W555	SPRAIER GROUP W555	DIFFUSEUR GROUPE	DIFFUSOR VERTEILEREINHEIT
12	WY23558	VITE TCEI INOX M6x8	STEEL SCREW TCCE 6x8	VIS INOX TCCE 6x8	STAHLSCHRAUBE TCCE 6x8
13	WY12103	GUARNIZIONE RAME	CU GASKET	JOINT CU DE	CU DICHTUNG
14	WY10405004	GRANO EI M8x25 PUNTA PIANA INOX	GRUB SCREW M8x25 STEEL	GRAIN M8X25 POINTE PLETE INOX	STAHLGEWINDESTIFT M8X25 FLACHSPITZE
15	WY12023	GUARNIZIONE TEFLON	TEFLON GASKET	JOINT TEFLON	TEFLON DICHTUNG
16	WY4827120	TAPPO GRUPPO CROMATO	DISTRIBUTION GROUP CAP	BOUCHON GROUPE DEBIT	STOPFEN DER ABGABEGRUPPE
17	WY12024	GUARNIZIONE OR VITON	VITON O RING GASKET	JOINT OR	OR DICHTUNG
18	WY4827119	FUNGO GRUPPO	DISTRIBUTION GROUP	FONGUS GROUPE DEBIT	AUSGABEGRUPPE FUNGUS
19	WY12025	GUARNIZIONE TEFLON	TEFLON GASKET	JOINT TEFLON	TEFLON DICHTUNG
20	WY4810300C	GIGLER OTTONE D-0.7	BRASS JET D-0.7	GICLEUR LAITON D-0.7	VERMESSIN GTE DUSE 0.7
21	WY10253	FILTRO GIGLER	JET FILTER	FILTRE GICLEUR	DUSE FILTER
22	WY4827118	TAPPO GIGLER	JET CAP	BOUCHON GICLEUR	STOPFEN DUSE
23	WY4826102	GRUPPO EROGAZIONE	DISTRIBUTION GROUP	GROUPE DEBIT	AUSGABEGRUPPE



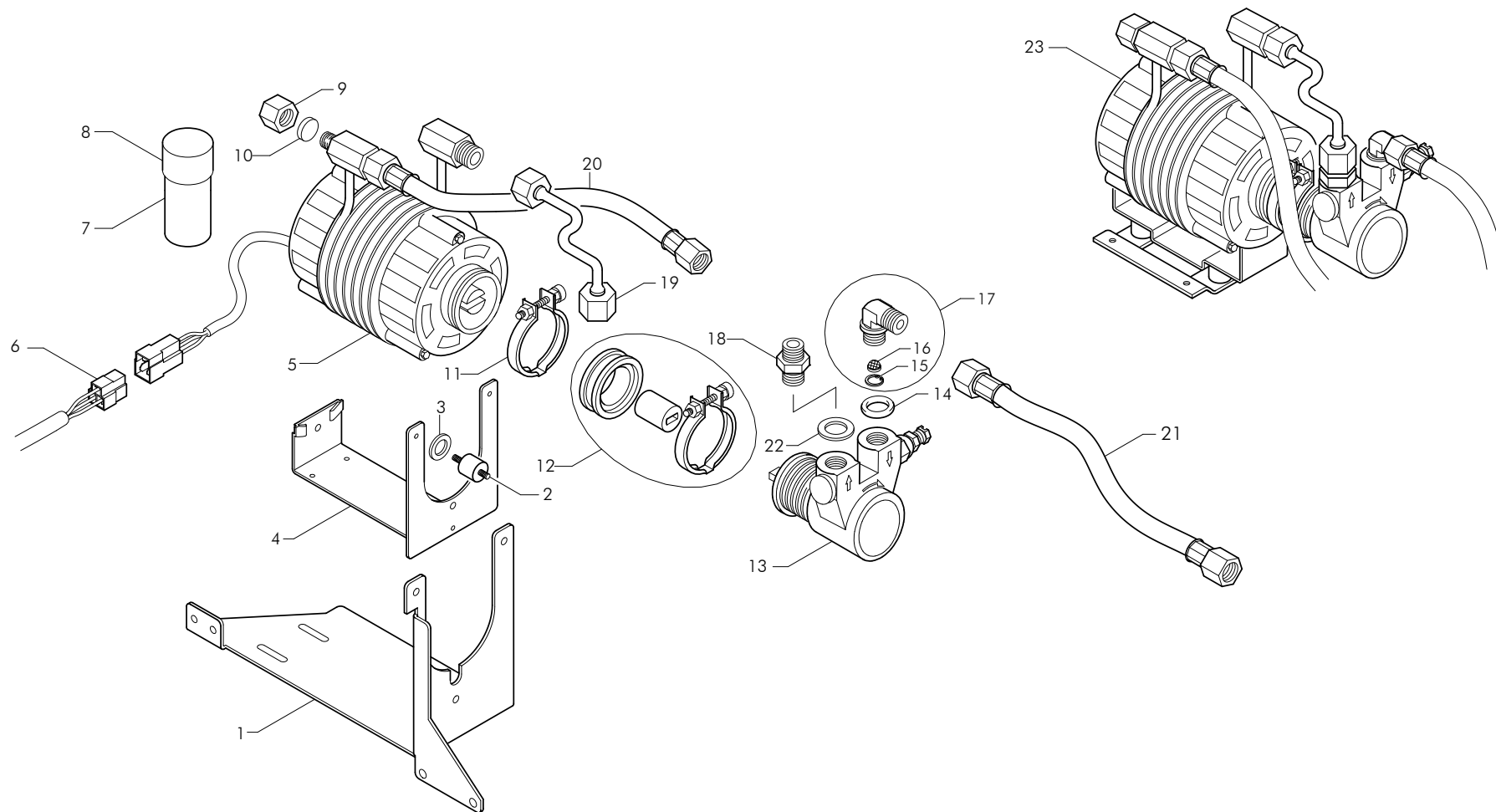
Pos	Cod.	Denominazione - IT -	Denomination - EN -	Denomination - FR -	Denomination - DE -
1	WY4617059	RESISTENZA 2GR 6P 230/240V 3400/3700W	HEATING ELEM. 2GR 220/240V 3400/3700W	RESISTANCE 2GR 220/240V 3400/3700W	HEIZKORPER 2GR 220/240V 3400/3700W
2	WY4617107	RESISTENZA 3GR 6P 230/240V 5000/5440W	HEATING ELEM. 3GR 220/240V 5000/5440	RESISTANCE 3GR 220/240V 5000/5440W	HEIZKORPER 3GR 220/240V 5000/5440W
3	WY12001	GUARNIZIONE TEFLON 58x43x2	TEFLON GASKET 58x43x2	JOINT TEFLON 58x43x2	TEFLON DICHTUNG 58x23x2
4	WY23049	DADO OTTONE M8	BRASS NUT M8	ECROU LAITON M8	MESSING-SCHRAUBENMUTTER M8
5	WY23132001	PRIGIONIERO INOX M8	M8 STAINLESS STEEL BOTTOM STUD	PRISONNIER INOX M8	STIFTSCHRAUBE EDELSTAHL M8
6	WY4662203	CALDAIA 2GR	BOILER 2GR	CHAUDIERE 2GR	KESSEL 2GR
7	WY4662281003	CALDAIA 3GR CW510L	BOILER 3GR	CHAUDIERE 3GR	KESSEL 3GR
8	WY12154001	GUARNIZIONE CU 3/8 22x17x2	GASKET COPPER 3/8 22x17x2	JOINT CUIVRE 3/8 22x17x2	KUPFERDICHTUNG 3/8 22x17x2
9	WY4925687	RACCORDO 3/8x3/8	3/8x3/8 FITTING	RACCORD 3/8x3/8	ANSCHLUSS 3/8x3/8
10	WY4652001612	TUBO D-10 L.115	TUBE D-10 L.115	TUYAU D-10 L.115	ROHR D-10 L.115
11	WY25749002	RIDUZIONE 3/8M GAS - 1/4F	CONNECTOR 3/8M - 1/4F	RACCORD 3/8M - 1/4F	FITTING 3/8M - 1/4F
12	WY12153003	GUARNIZIONE RAME 1/4 Sp.2	GASKET 1/4 Sp.2 COPPER	JOINT CUIVRE 1/4 Sp.2	KUPFERDICHTUNG 1/4 Sp.2
13	WY4956150	VALVOLA ANTIRISUCCHIO V.A.R.	ANTI-EDDY VALVE V.A.R.	SOUPAPE ANTI-DEPRESSION V.A.R.	VENTIL UNTERDRUCKFREI V.A.R.
14	WY12300093	GUARNIZIONE OR NERO	O RING GASKET BLACK	JOINT OR NOIR	OR DICHTUNG SCHWARZ
15	WY4923214001	RACCORDO ORIENTABILE -L- 1/2	ROTARY COUPLING	RACCORD ROTATIF	ROTARY KUPPLUNG
16	WY4923215001	RACCORDO ORIENTABILE -T- 1/2	ROTARY COUPLING	RACCORD ROTATIF	ROTARY KUPPLUNG
17	WY4952002788	TUBO D-6 L.85	TUBE D6 L85	TUYAU D-6 L.85	ROHR D-6 L.85
18	WY4925780	TAPPO MASCHIO OTTONE 1/4	BRASS MALE CAP 1/4	BOUCHON MALE LAITON 1/4	MESSING-STOPFEN 1/4
19	WY4820251	SONDA LIVELLO L.125	LEVEL PROBE L.125	JAUG L.125	PEGELFUHLER L.125
20	WY15006001	FLANGIA VALVOLA SICUREZZA	FLANGE VALVE	JOINT VANNE	FLANSCH VENTIL
21	WY4920352001	VALVOLA SICUREZZA SIG.CMA 22PSI	SIG.SAFETY VALVE CW510L	VANNE DE SECURITE JOINT CW510L	SICHERHEITSVENTIL SIG. CW510L
22	WY12300000	GUARNIZIONE OR	GASKET O RING	JOINT OR	OR DICHTUNG
23	WY56009980	ASSIEME PROTEZIONE VALVOLE SICUREZZA	UNIT PROTECTION VALVE	ENSEMBLE PROTECTION VANNE	SATZ-SCHUTZGITTER VENTIL
24	WY15478002	TUBO SILICONE 8x11 L.70cm	SILICONE TUBE 8x11 L.70cm	TUYAU SILICONE 8x11 L.70cm	SILIKONROHR 8x11 L.70cm
25	WY12402	GUARNIZIONE PASTICCA 15x3	GASKET 15x3	JOINT 15x3	DICHTUNG 15x3
26	WY25781	TAPPO FEMMINA 3/8	FEMALE CAP 3/8	BOUCHON FEMELLE 3/8	STOPFEN 3/8



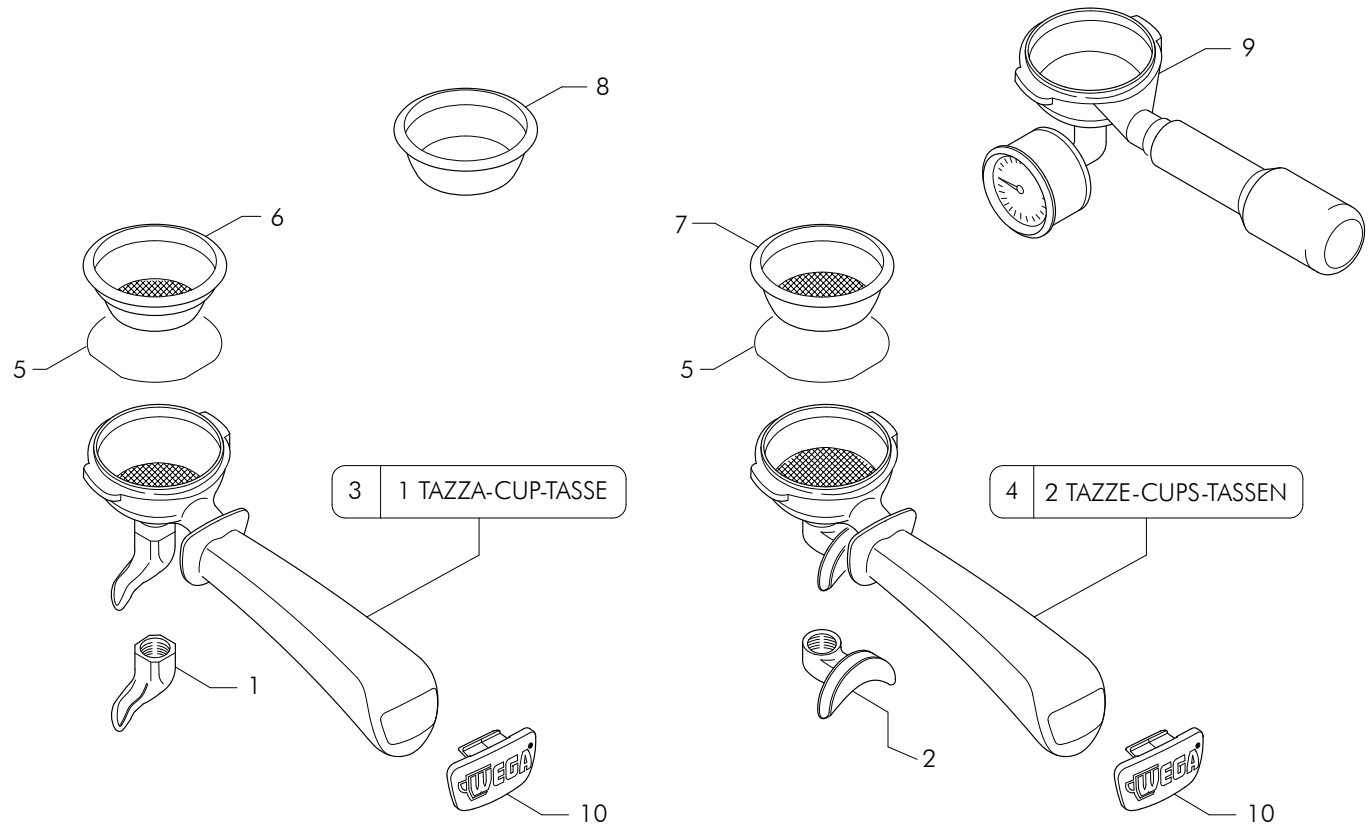
Pos	Cod.	Denominazione - IT -	Denomination - EN -	Denomination - FR -	Denomination - DE -
1	WY4952001075	TUBO D-6 L.625	TUBE D-6 L.625	TUYAU D-6 L.625	ROHR D-6 L.625
2	WY4952001120	TBS.D-6 L.530 TB219	TUBE D-6 L.530	TUYAU D-6 L.530	ROHR D-6 L.530
3	WY4952000387	TUBO D-8 L.305	TUBE D-8 L.305	TUYAU D-8 L.305	ROHR D-8 L.305
4	WY4952000958	TUBO D-8 L.120	TUBE D-6 L.120	TUYAU D-8 L.120	ROHR D-8 L.120
5	WY4952000386	TUBO D-8 L.315	TUBE D-8 L.315	TUYAU D-8 L.315	ROHR D-8 L.315
6	WY4952000384	TUBO D-10 L.325	TUBE D-10 L.325	TUYAU D-10 L.325	ROHR D-10 L.325
7	WY4952001118	TBS.D-6 L.150 TB217	TUBE D-6 L.150	TUYAU D-6 L.150	ROHR D-6 L.150
8	WY4952001433	TUBO D-4 L.310	TUBE D-4 L.310	TUYAU D-4 L.310	ROHR D-4 L.310
9	WY4952000385	TBS.D-10 L.255 TB2	TUBE D-10 L.255	TUYAU D-10 L.255	ROHR D-10 L.255
10	WY4923293001	STROZZATURA RICIRCOLO D 4	REDUCED CONNECTOR OF GROUP D4	RACCORD REDUIT DU GROUPE D4	VERKLEINERTE FITTING DER GRUPPE D4
11	WY4952000384	TUBO D-10 L.325	TUBE D-10 L.325	TUYAU D-10 L.325	ROHR D-10 L.325
12	WY4952000393	TUBO D-6 L.315	TUBE D-6 L.315	TUYAU D-6 L.315	ROHR D-6 L.315
13	WY4952001119	TBS.D-6 L.285 TB218	TUBE D-6 L.285	TUYAU D-6 L.285	ROHR D-6 L.285
14	WY4952000395	TUBO D-6 L.340	TUBE D-6 L.340	TUYAU D-6 L.340	ROHR D-6 L.340
15	WY4652003057	TUBO D-2 L.1000	TUBE D-2 L.1000	TUYAU D-2 L.1000	ROHR D-2 L.1000
16	WY4952000392	TUBO D-6 L.175	TUBE D-6 L.175	TUYAU D-6 L.175	ROHR D-6 L.175
17	WY4952000394	TUBO D-6 L.350	TUBE D-6 L.350	TUYAU D-6 L.350	ROHR D-6 L.350
18	WY4956122000	ASSIEME DOSATORE CW510L	DOSEUR KIT CW510L	KIT DOSEUR CW510L	DOSIERER CW510L
19	WY4925686	RACCORDO 1/4Mx1/4M	CONNECTOR 1/4Mx1/4M	RACCORD 1/4Mx1/4M	ANSCHLUSS 1/4Mx1/4M
20	WY4925708	RACCORDO 1/4x1/4	1/4X1/4 CW510L FITTING	RACCORD 1/4X1/4 CW510L	ANSCHLUSS 1/4X1/4 CW510L
21	WY12153	GUARNIZIONE RAME 1/4 17x13.3x1.5	GASKET 1/4 17x13.3x1.5 COPPER	JOINT CUIVRE 1/4 17x13.3x1.5	KUPFERDICHTUNG 1/4 17x13.3x1.5
22	WY10254	FILTRO ACCIAIO 160-200 MESH	STEEL FILTER 160-200 MESH	FILTRE EN ACIER 160-200 MESH	STAHLFILTER 160-200 MESH
23	WY12329	GUARNIZIONE OR HNBR 7.66xW1.78	GASKET OR HNBR 7.66xW1.78	JOINT OR HNBR 7.66x1.78	OR DICHTUNG HNBR 7.66xW1.78
24	WY4918126	DOSATORE FLOWMETER	FLOWMETER DOSEUR	KIT DOSEUR	DOSIERER
25	WY4661016003	DISTRIBUTORE CARICO ACQUA	WATER DISTRIBUTION BLOCK	DISTRIBUTEUR EAU	WASSER VERTEILER
26	WY4718151	ELETTRORVALVOLA GRUPPO 220/240V 50Hz 240/60	GROUP SOLENOID VALVE 220/240 50-60	ELECTROVANNE GROUPE 220/240 50-60	GRUPPENMAGNETVENTIL 220/240 50-60
27	WY12299001	GUARNIZIONE VERDE A GOCCIA	GASKET	JOINT	DICHTUNG
28	WY12299002	GUARNIZIONE ROSSA PICCOLA	RED GASKET	JOINT ROUGE	DICHTUNG ROT
29	WY4925743001	RIDUZIONE 1/4Mx1/8F	REDUCTION 1/4Mx1/8F	REDUCTION 1/4Mx1/8F	REDUKTION 1/4Mx1/8F
30	WY25396	DADO 1/4 SP.4	NUT 1/4 - 4 THICK	ECROU 1/4 SP.4	MUTTER 1/4
31	WY4923293012	STROZZATURA D-1.2	NECK D-1.2	ETRALEMENT D-1.2	UMWALZUNG D-1.2
32	WY4952001058	TUBO D-8 L.120 TB172	TUBE D-8 L.120 TB172	TUYAU D-8 L.120 TB172	ROHR D-8 L.120 TB172
33	WY4652000851	TUBO D-8 L.45	TUBE D-8 L.45	TUYAU D-8 L.45	ROHR D-8 L.45
34	WY4620354001	VALVOLA CHIUSURA L.40	PRESSURE RELEASE TAP BULK UNIT L.40	CLAPET FERMETURE AUT.ARRIVEE EAU	ABSPERRVENTIL x AUT.WASSERZUFUHR L.40
35	WY12100	GUARNIZIONE CU/ALIM 1/4 18.7x13.2x2.5	CU GASKET 1/4 18.7X13.2X2.5	JOINT CU 1/4 18.7X13.2X2.5	CU DICHTUNG 1/4 18.7x13.2x2.5
36	WY15452136	TUBO SILICONE D-7x11 L.300	TUBE SILICONE D-7x11 L.300	TUYAU SILICONE D-7x11 L.300	SILIKONROHR D7x11 L.300
37	WY23221006	PORTAGOMMA 1/8M ES10 TUBO D.8	HOSE CONNECTION 1/8M	PORTE-CAOUTCHOUC 1/8M	GUMMIHALTER 1/8M
38	WY4952001059	TUBO D-8 L.70 TB173	TUBE D-8 L.70 TB173	TUYAU D-8 L.70 TB173	ROHR D-8 L.70 TB173
39	WY15056004	FASCETTA BIFILARE A MOLLA D.12.1-13.1	SPRING CLAMP BI FILAR D12,10-13.1	COLLIER BIFILAIRE RESSORT D.11,10-13.1	SHELLE D. 12,1-13,1
40	WY15056003	FASCETTA BIFILARE A MOLLA D.11-11.6	SPRING CLAMP BI FILAR D11,00-11.6	COLLIER BIFILAIRE RESSORT D.11,00-11.6	SHELLE D.11-11,6



Pos	Cod.	Denominazione - IT -	Denomination - EN -	Denomination - FR -	Denomination - DE -
1	WY20150	PRESSOSTATO SECCO SIRAI 30A	DRY PRESSURE SWITCH SIRAI 30A	PRESSOSTAT SEC SIRAI 30A	TROCKENDRUCKWACHTER SIRAI 30A
2	WY22803136	CABLAGGIO 2GR DOSATORI/SONDE	WIRING 2GR DOSER/PROBE	CABLAGE 2GR	VERDRAHTUNG 2GR
3	WY22800623	CABLAGGIO EVD/3 DOSATORI/SONDE	CABLE SAE-EVD/3	CABLAGE SAE-EVD/3	VERDRAHTUNG SAE-EVD/3
4	WY22803139	CABLAGGIO 2GR POTENZA	POWER CABLE 2GR	CABLAGE D'ALIMENTATION 2GR	STROMKABEL 2GR
5	WY22800629	CABLAGGIO EVD/3+A/STEAM POTENZA	POWER CABLE 3GR	CABLAGE D'ALIMENTATION 3GR	STROMKABEL 3GR
6	WY18090284	CENTRALINA 1-2GR 100/240V	CONTROL UNIT	UNIT DE CONTROLE	STEUEREINHEIT
7	WY25419005	DISTANZIALE	STEEL SPACER	ENTRETOISE INOX	STAHL DISTANZSTUCK
8	WY15182942	ISOLANTE TERMICO	THERMAL INSULATION	ISOLANT THERMIQUE	THERMISCHE ISOLIERUNG
9	WY56930000	ASSIEME TERMOSTATO	ASS.THERMOSTAT	ENS.THERMOSTAT	THERMOSTAT
10	WY18371207	STRIP 3 LED BIANCO CK-15- CON SUPPORTO	3 LED STRIP WHITE	BANDE DE 3 LED BLANC	LED 3 STREIFEN WEISS
11	WY15029164	PROTEZIONE LED	LED PROTECTION	PROTECTION LED	LED-SCHUTZ
12	WY18559027	ALIMENTATORE SWICHTING 12Vdc 20W	SWITCHING POWER UNIT	ALIMENTATION LED	LED NETZTEIL
13	WY22800625	CABLAGGIO INTERFACCIA ALIMENTATORE LED	LED INTERFACE CABLE	CABLAGE INTERFACE LED	LED-SCHNITTSTELLEN VERKABELUNG
14	WY22723005	CABLAGGIO SCALDATAZZE	ELECTR.CUP HEAT.WIRING 2-4 UNIT UL	CABLE CHAUFFE-TASSES ELEC. 2-4GR UL	ELEKTR.VERKABELUNG TASSENWORMER 2-4 UL
15	WY18090243	FILTRO RLC	RLC FILTER	FILTRE	FILTER
16	WY22800626	CABLAGGIO INTERFACCIA FILTRO ANTIDISTURBO	FILTER INTERFACE WIRING	CABLAGE D'INTERFACE FILTRE	FILTER SCHNITTSTELLEN VERDRAHTUNG
17	WY21011001	LAMPADA SPIA VERDE CON GHIERA 250VAC	GREEN WARNING LIGHT 250VAC	LAMPRE TEMOIN VERT 250VAC	GRUNE KONTROLLAMPE 250VAC
18	WY21026	LED D-5 VERDE	LED D-5 GREEN	LED D-5 VERT	LED D-5 GRUN
19	WY18371143	INTERRUTTORE NERO	SWITCH BLACK	INTERRUPTEUR NOIR	SCHALTER SCHWARZ
20	WY19049001	COPERTURA INTERRUTTORE	SWITCH COVER	PROTECTION INTERRUPTEUR	SCHALTER ABD.
21	WY22940	COMMUTATORE 1-3GR 2F	1-3GR COMMUTOR 2F	COMM. 1-3 GR. 2 F. NEOP.	KONTROLLEUCHE 1-3GR
22	WY22944	COMMUTATORE 18104 + CAVO ALIMENTAZIONE	COMMUTATOR 18104 + ALIMENTATION CABLE	COMM. 18104 + CABLE D'ALIMENTATION	KONTROLLEUCHE + STROMKABEL
23	WY22945	COM.4GR 3F+N 18101 D4 NEOP.	4GR COMMUTATOR 3PH+N	COM.4GR 3F+N 18101 D4 NEOP.	KONTROLLEUCHE 4GR
24	WY29067	ETICHETTA ADESIVA '1-0-2' NERO PLASTICO 58	ADHESIVE LABEL '1-0-2' BLACK	ETIQ. ADHES. 1-0-2' NOIR	KLEBEETIKETTE '1-0-2' SCHWARZ
25	WY15271	MANOPOLA INTERR.GENERALE BREMAS	MAIN SWITCH HAND GRIP	MANETTE INTERR. GENERAL	HAUPTSCHALTERGRIFF
26	WY19123002	PORTAFUSIBILE F430 250V 10A UR/VDE	FUSE HOLDER 250V 10A UR	PORTE-FUSIBLE 250V 10A UR	SICHRUNGSHALTER 250V 10A UR
27	WY19103	FUSIBILE 5x20 6.3A ST520263 OMEGA UL/VDE	FUSE 5x20 6.3A ST520263 OMEGA	FUSIBLE 5x20 6.3A ST520263 OMEGA	SCHMELZSICH.OMAGEA 5x20 ST520263
28	WY19104	FUSIBILE OMEGA 5x20 10A UL/VDE	FUSE OMEGA 5x20 T-10A	FUSIBLE OMEGA 5x20 T-10A	SCHMELZSICHERUNG OMEGA 5x20 T-10A
29	WY15073	CONNETTORE 2VIE PORTA FASTON MASCHIO UL	CONNECTOR 2V + FASTON	CONNECTEUR 2V + FASTON	VERKABELUNG STECKVERBINDUNG 2V + FASTON
30	WY15066	CONN.3VIE PORTA M+FASTON AMP1809400	CONNECTOR 3V + FASTON	CONNECTEUR 3V + FASTON	VERKABELUNG STECKVERBINDUNG 3V + FASTON
31	WY15011000	BOCCOLA PASSACAVO	CABLE BUSHING	CABLE DOUILLE	KABELDURCHFURUNG



Pos	Cod.	Denominazione - IT -	Denomination - EN -	Denomination - FR -	Denomination - DE -
1	WY78214526	SUPPORTO MOTOPOMPA	MOTOPUMP SUPPORT 2GR	MOTOPOMPE SUPPORT 2GR	PUMPE SUPPORT 2GR
2	WY15105002	GOMMINO ANTIVIBRANTE	RUBBER FOR MOTOR	CAOUTCHOUC POUR MOTEUR	GUMMI x MOTOR
3	WY23265	RONDELLA 4x12	WASHER 4x12	RONDELLE 4x12	SCHEIBE 4x12
4	WY78214527	STAFFA MOTORE	MOTOR BRACKET	SUPPORT MOTEUR	MOTOR HALTERUNG
5	WY4656406	MOTORE RPM CW510L 230V-50/60Hz	MOTOR RPM 230-50/60Hz CW510L	MOTEUR RPM 230- 50/60HZ CW510L	MOTOR RPM 230-50/60Hz CW510L
6	WY227173	CABLAGGIO MOTORE	MOTOR CABLE	CABLAGE MOTEUR	MOTOR VERSKABELUNG
7	WY19062001	CONDENSATORE MOTORE 230V 7uF	MOTOR CAPACITOR 230V 7uF	CONDENSATEUR MOTEUR 230V 7uF	KONDENSATOR MOTOR 230V 7uF
8	WY15200000	CAPPUCCIO CONDENSATORE	HOOD FOR CAPACITOR	CAPUCHON CONDENSATEUR	HEADSET KONDENSATOR
9	WY25782	TAPPO FEMMINA 1/4 GAS	1/4 GAS FEMALE TAP	BOUCHON FEMELLE 1/4 GAZ	INNENANSCHLUSSSTOPSEL 1/4 GAS
10	WY12007	GUARNIZIONE KLINGERSIL4400	KLINGERSIL4400 SEAL	JOINT KLINGERSIL4400	DICHTUNG KLINGER SIL4400
11	WY26310003	FASCETTA GIUNZIONE MOTORE-POMPA	CLAMP MOTOR-PUMP	BANDE MOTEUR-POMPE	SHELLE MOTOR-PUMPE
12	WY83260016R	KIT DISACCOPIAMENTO MOTORE POMPA	KIT DECOUPLING MOTOR-PUMP	ENSEMBLE DECOUPLAGE MOTEUR POMPE	KIT MOTOR-PUMPE KUPPLUNG
13	WY4626303	POMPA FLUID-0-TECH 204	PUMP FLUYD 204	POMPE 204	PUMPE 204
14	WY12101	GUARNIZIONE RAME 3/8 22x17x3	GASKET COPPER 3/8 22x17x3	JOINT CUIVRE 3/8 22x17x3	KUPFERDICHTUNG 3/8 22x17x3
15	WY10005	ANELLO DI ARRESTO INOX	STAINLESS STEEL STOP RING	ANNEAU DE BUTEE INOX	DRAHTSPRENGRING ROSTFREI
16	WY10254	FILTRO ACCIAIO 160-200 MESH	STEEL FILTER 160-200 MESH	FILTRE EN ACIER 160-200 MESH	STAHLFILTER 160-200 MESH
17	WY4656116001	RACCORDO GOMITO 3/8+3/8	CONNECTOR 3/8+3/8 PUMP ASSEMBLY	RACCORD 3/8 + 3/8 ENS. MOTOPOMPE	ANSCHLUSS 3/8 + 3/8 MOTORP. ZUSAMMEN
18	WY4925687	RACCORDO 3/8x3/8	3/8x3/8 FITTING	RACCORD 3/8x3/8	ANSCHLUSS 3/8x3/8
19	WY4652002814	TUBO D-6 L.200	TUBE D-6 L.200	TUYAU D-6 L.200	ROHR D-6 L.200
20	WY4630403	TUBOFLEX 3/8FF L.330	FLEX PIPE 3/8 L33 CONICAL	TUYAU FLEX 3/8 FF L33	SCHLAUCH 3/8 AUFNAHMETUR L33 GUMMI KONI
21	WY4630408	TUBOFLEX 3/8FF L.1500	FLEX PIPE 3/8 L.150	TUYAU FLEX 3/8 FF L.150	SCHLAUCH 3/8 L.150
22	WY12154	GUARNIZIONE CU 3/8 22x17x1.5	GASKET COPPER 3/8 22x17x1,5	JOINT CUIVRE 3/8 22x17x1.5	KUPFERDICHTUNG 3/8 22x17x1.5
23	WY4656123311	ASSIEME MOTOPOMPA 230V	MOTOR-PUMP 230V	MOTEUR-POMPE 230V	MOTOR-PUMPE 230V



Pos	Cod.	Denominazione - IT -	Denomination - EN -	Denomination - FR -	Denomination - DE -
1	WY27032001	BECCUCCIO 1 TAZZA	SPOUT 1 CUP	BEC 1 TASSE	AUSGUSS 1 TASSE
2	WY27042001	BECCUCCIO 2 TAZZE	SPOUT 2 CUPS	BEC 2 TASSES	AUSGUSS 2 TASSEN
3	WY83270074R	PORTAFILTRO COP.NERA 1 TAZZA WEGA -11-	FILTER HOLDER 1CUP	PORTE FILTRE 1 TASSE	FILTERHALTER
4	WY83270075R	PORTAFILTRO COP.NERA 2 TAZZE WEGA -11-	FILTER HOLDER 2 CUPS	PORTE FILTRE 2 TASSES	FILTERHALTER
5	WY27255	MOLLA FERMAFILTRO D-1,2	FILTER HOLDER SPRING	RESSORT FERME-FILTRE	FEDER FUR FILTERHALTER
6	WY27142	FILTRO INOX 1 TAZZA E/61 H.24	E/61 1 CUP S.STEEL FILTER H.24	FILTRE INOX 1 TASSE E/61 H.24	EDELSTAHL-FILTER 1 TASSE E/61 H.24
7	WY27171	FILTRO INOX 2 TAZZE H.24,5 E/61	E/61 2 CUPS S.STEEL FILTER H.24,5	FILTRE INOX 2 TASSES E/61 H.24,5	EDELSTAHL-FILTER 2 TASSEN E/61 H.24,5
8	WY27173	FILTRO INOX 2 TAZZE CIECO	2 CUPS STAINLESS STEEL BLIND FILTER	FILTRE INOX 2 TASSES AVEUGLE	GESCHLOSSENER FILTER 2 TASSEN
9	WY35W10827	PORTAFILTRO PROVA	TEST FILTER HOLDER	PORTEFILTRE MANOMETRE TESTER PRESSION	FILTERHALTER FUER FILTERPROBE
10	WY15263022	TAPPO WEGA MANOPOLA PORTAFILTRO -11- CROMA	KNOB CAP	BOUCHON	KORKEN