

Imp. elettrico - Electrical system - Circuit électrique - Strom anlage

WEL-WE1 rev.00 ALE - EMA

WEL-WE2 rev.00 EPU

WEL-WE3 rev.00 EVD

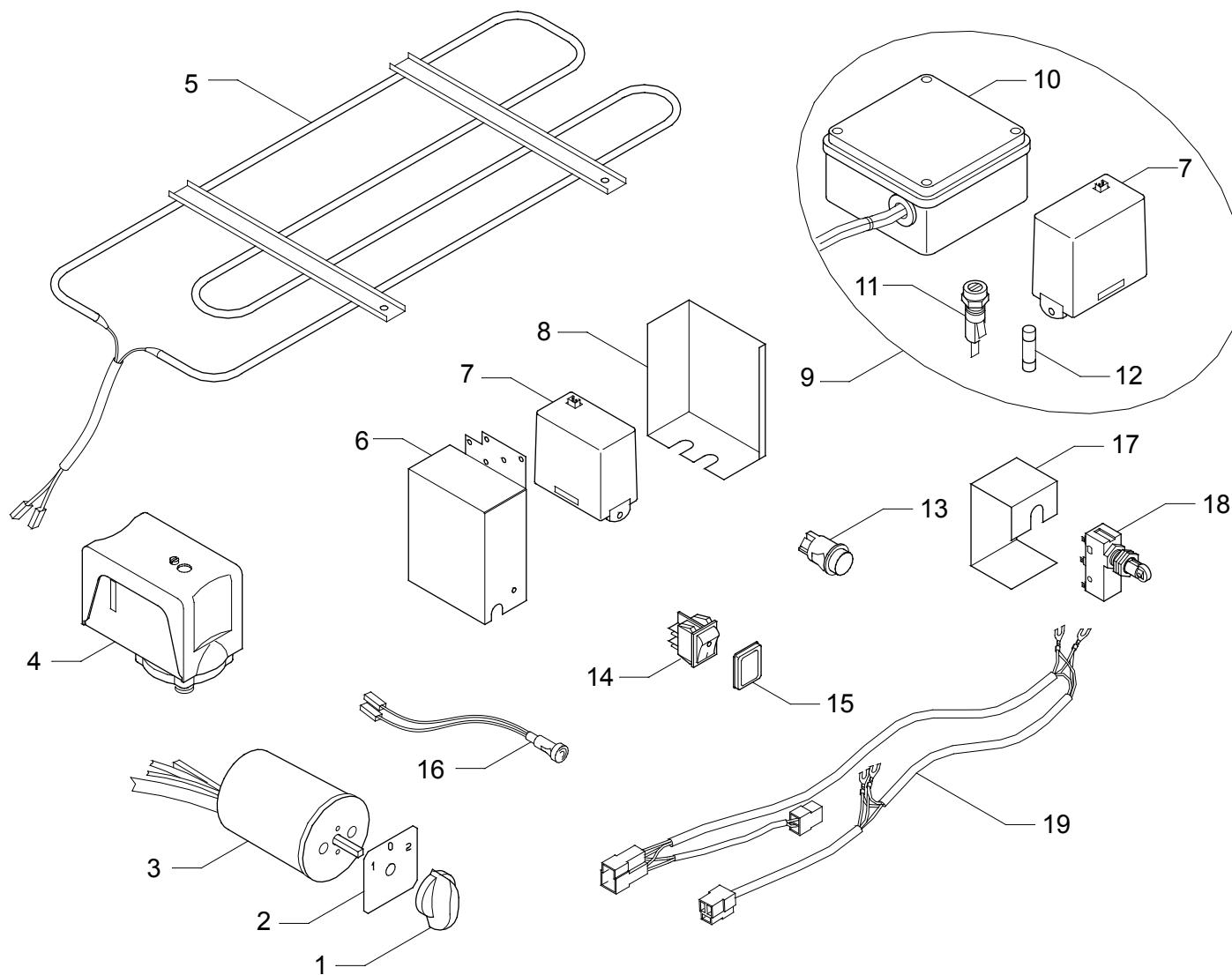
WEL-WE4 rev.00 EVD TH

WEL-WE5 rev.00 EVD DISPLAY

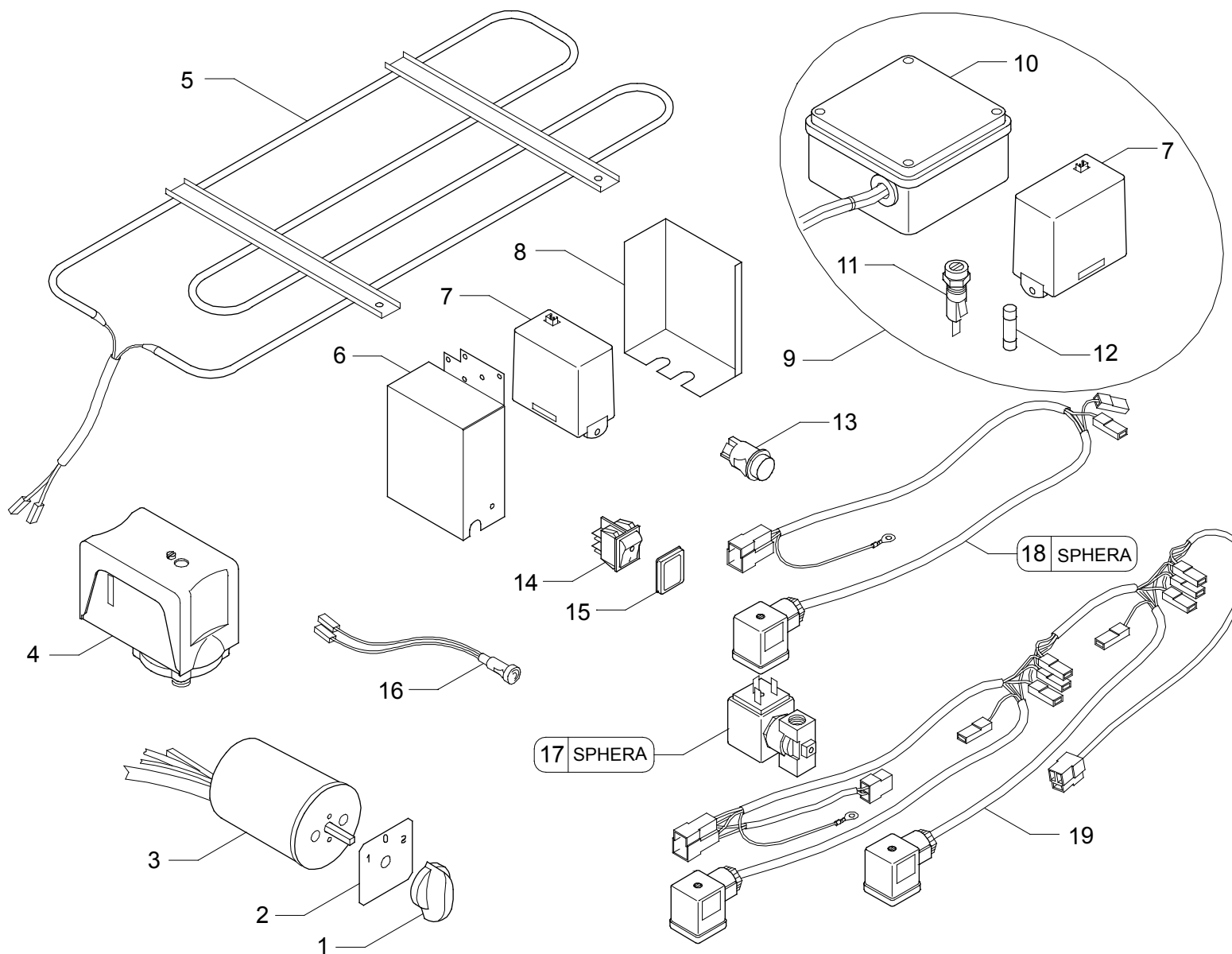
WEL-WE6 rev.00 MININOVA

WEL-WE7 rev.00 NOVECENTO

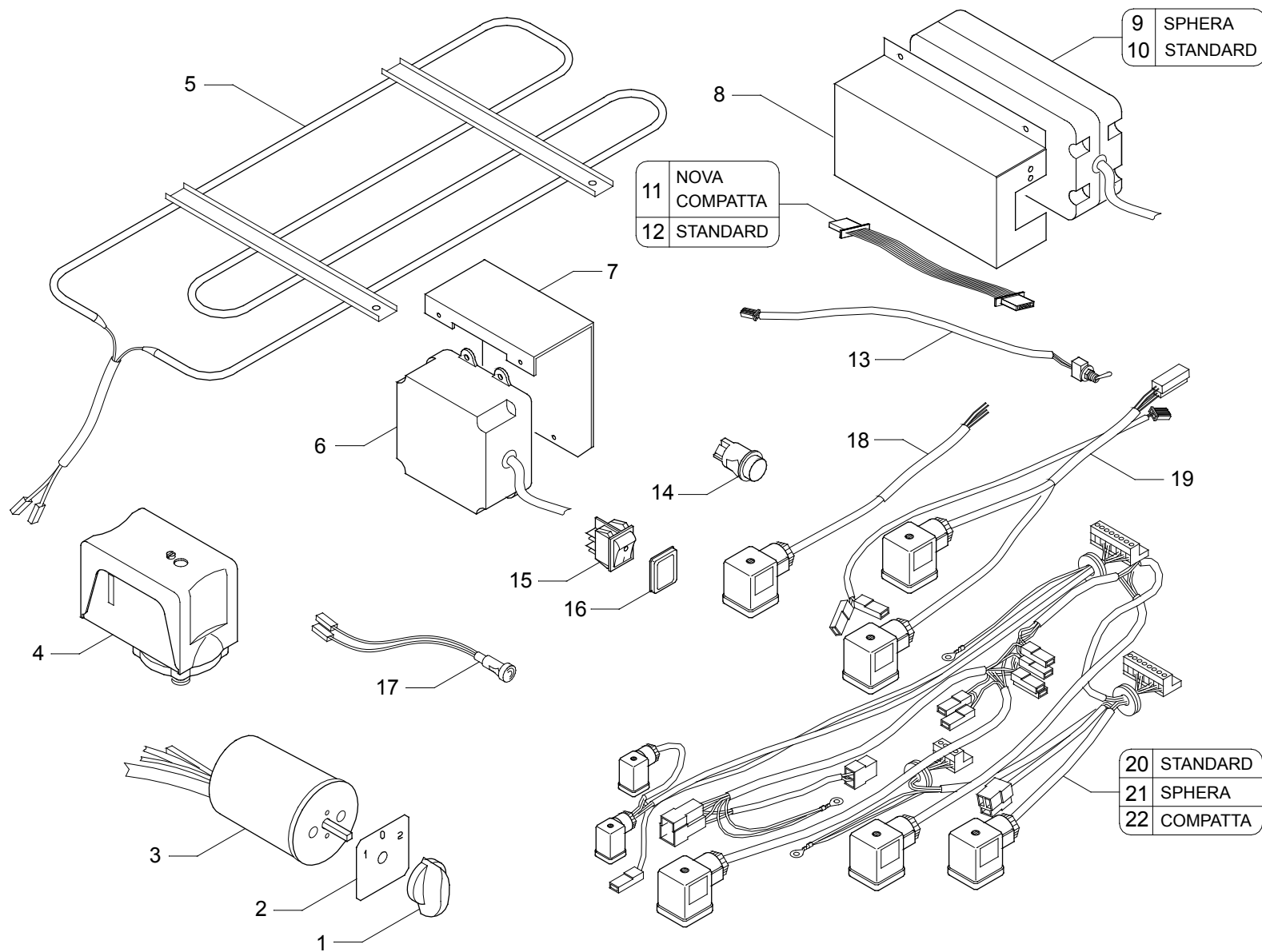
***Impianto elettrico - Electrical system
Circuit électrique - Strom anlage***



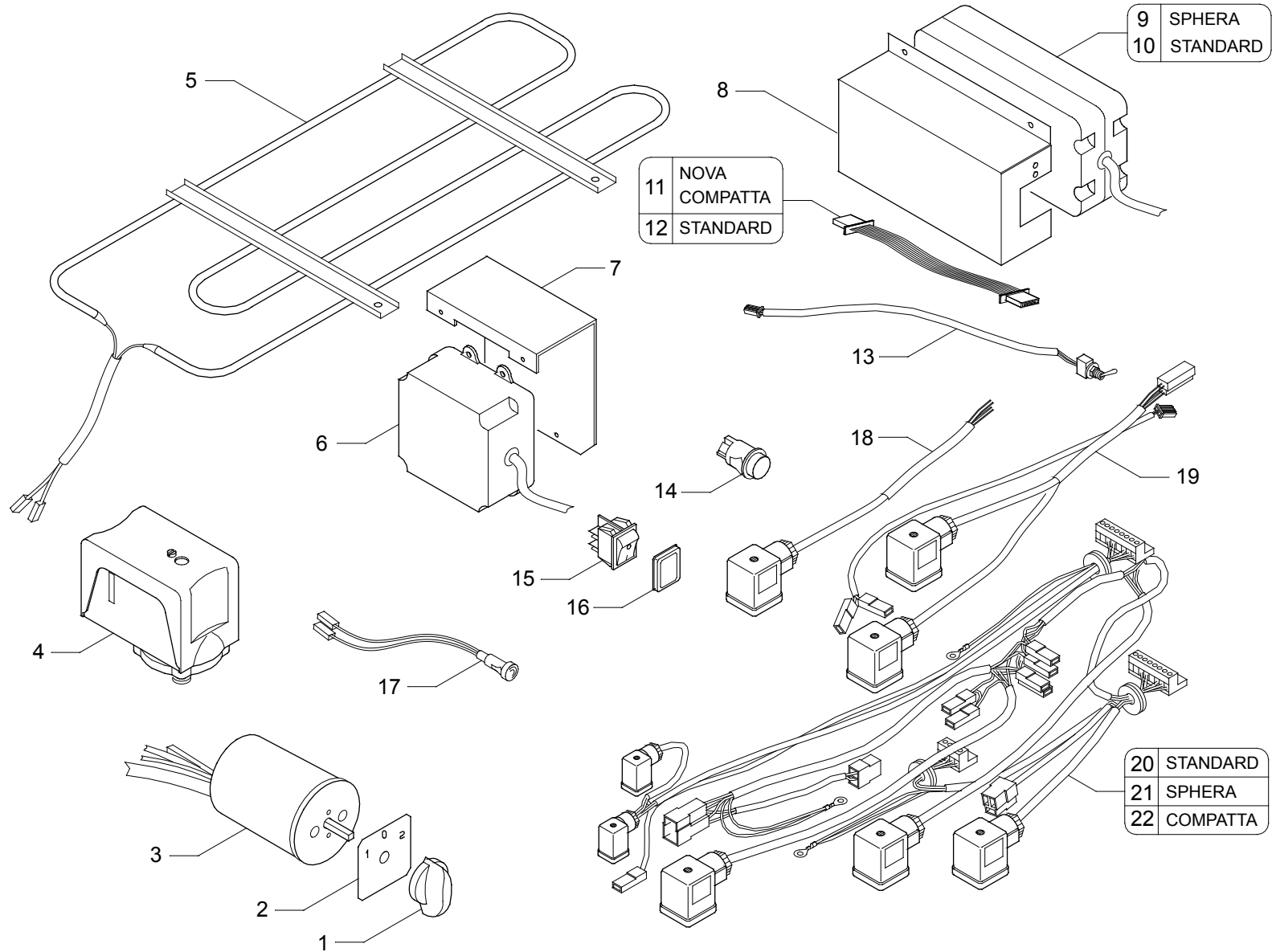
Pos	Cod.	Denominazione - IT -	Denomination - GB -	Denomination - FR -	Denomination - DE -
1	WY15271	MANOPOLA INTERR.GENERALE BREMAS	MAIN SWITCH HAND GRIP	MANETTE INTERR. GENERAL	HAUPTSCHALTERGRIFF
2	WY29067	ETICHETTA ADESIVA '1-0-2'NERO	ADHESIVE LABEL '1-0-2' BLACK PLASTI	ETIQ. ADHES. 1-0-2' NOIR PLASTIQUE	KLEBEETIKETTE '1-0-2'SCHWARZ PLAST
2	WY29068	ETICHETTA ADESIVA '0-1'NERO PLASTICO	PLASTIC ADHESIVE PLATE 0-1 58X58	PLAQUETTE ADHESIVE 0-1 58X58	KLEBESCHILD 0-1 58X58
3	WY18103	COMMUTATORE BREMAS A25.2 SCH.0	COMMUTATOR BREMAS A25.2	COMMUTATEUR BREMAS A25.2	UMSCHALTER BREMAS A25.2
3	WY18104	COMMUTATORE BREMAS A20.12 CS0177412	COMMUTATOR BREMAS A20.12	COMMUTATEUR BREMAS A20.12	UMSCHLATER BREMAS A20.12
3	WY18105	COMMUTATORE BREMAS A32.12 CS0257412	COMMUTATOR BREMAS A32.12	COMMUTATEUR BREMAS A32.12	UMSCHALTER BREMAS A32.12
4	WY20150	PRESSOSTATO SECCO SIRAI P302/6	SIRAI P302/6 DRY PRESSURE SWITCH	PRESSOSTAT SEC SIRAI P302/6	TROCKENDRUCKWÄCHTER SIRAI P302/6
5	WY17020	RESISTENZA 2GR 120V 200W	HEATING ELEMENT 2GR 120V 200W	RESISTANCE 2GR 120V 200W	WIDERSTAND 2GR 120V 200W
5	WY17022	RESISTENZA 2GR 230V 200W	HEATING ELEMENT 2GR 230V 200W	RESISTANCE 2GR 230V 200W	WIDERSTAND 2GR 230V 200W
5	WY170225	RESISTENZA 3GR 120V 250W	HEATING ELEMENT 3GR 120V 250W	RESISTANCE 3GR 120V 250W	WIDERSTAND 3GR 120V 250W
5	WY17023	RESISTENZA 3GR 230V 250W	HEATING ELEMENT 3GR 230V 250W	RESISTANCE 3GR 230V 250W	WIDERSTAND 3GR 230V 250
5	WY17024	RESISTENZA 4GR 230V 300W SCTE	HEATING ELEMENT 4GR 230V 300W	RESISTANCE 4GR 230V 300W	HEIZKORPER 4GR 230V 300W
6	WY78200	SUPPORTO AEA RL30 X TUTTI I TELAI	AWR BEARING RL30XALL MODUL.FRAMES	SUPPORT REA RL30 POUR TOUS CHASSIS	AWF HALTER RL30XFUR ALLE MOD.RAHMEN
7	WY18080001	REGOLATORE LIVELLO RL30/T.O.220/240V	LEVEL CONTROL RL30/T.O.220/240V	CONTROLE NIVEAU RL30/T.O.220/240V	WASSERNIVEAUREGLER RL30/TO 220/240V
7	WY18081001	REGOLATORE LIVELLO RL30/TIMEOUT 120V	LEVEL CONTROL RL30/TIMEOUT 120V	CONTROLE NIVEAU RL30/TIMEOUT 120V	WASSERNIVEAUREGLER RL30/TO 120V
8	WY77691F	PROTEZIONE CENTRALINA RL30 PER SUPP	RL30 GEARCASE PROTECTION FOR SUPP.	PROTECTION RL30	SCHUTZGITTER RL30
9	WY56302001	ASS.SCATOLA AEA CENT/CABL 230V	AEA BOX UNIT 230V	ENSEMBLE BOITE AEA 230V	AEA BEHALTER BAUGRUPPE 230V
9	WY56302002	ASS.SCATOLA AEA CENT/CABL 120V	AEA BOX UNIT 120V	ENSEMBLE BOITE AEA 120V	AEA BEHALTER 120V
10	WY15373100	SCATOLA RL 30	RL 30 BOX	BOITE RL 30	RL 30 BEHALTER
11	WY19122	PORTAFUSIBILE P2300 10A 250V OMEGA	FUSE HOLDER P2300 10A 250V OMEGA	PORTE-FUSIBLE P2300 10A 250V OMEGA	SICHERUNGSHALTER P2300 10A 250V OM.
12	WY19100	FUSIBILE OMEGA 5X20 T-3.15A	FUSE OMEGA 5X20 F-3.15A	FUSIBLE OMEGA 5X20 F-3.15A	SCHMELZSICHERUNG 5X20 T-3.15A
13	WY18245	INT.PULSANTE SP6014C10000 BIANCO	PUSH BUTTON SWITCH SPL60 - RED	BOUTON POUSSOIR SPL60 - ROUGE	DRUCKKNOPFSCHALTER SPL60 - ROT
14	WY18260	INTERRUTTORE BIPOLARE LUMINOSO ROSSO	B418C1G210000 LUMINOUS RED BIPOLAR	INTER. BIP. LUMINEUX ROUGE B418C1G210	ZWEIPOLIGER ROTER LEUCHTSCHALTER B418C1
14	WY18262	INTERRUTTORE BIPOLARE LUM.BIANCO	B418C1L110000 LUMINOUS COLOURLESS	INT.BIP.LUMINEUX INCOLORE B418C1L11	BIPOLAR FARBLOS LEUCHTSCHALTER B418C1L11
15	WY19049	COPERTURA INTERRUTTORE B4	SWITCH COVER B4	PROTECTION INTERRUPTEUR	SCHALTER ABD. B4
16	WY21010	LAMPADA SPIA VERDE 110V CAVI L=645	GREEN WARNING LIGHT 110V 32	LAMPE TEMOIN VERTE 110V	GRUNE KONTROLLAMPE 110V 32
16	WY21011	LAMPADA SPIA VERDE 220V 332247030T	220V 332247030T GREEN INDICATOR LIG	AMPOULE TEMOIN VERT 220V 332247030T	KONTROLLEUCHE GRÜN 220V 332247030T
17	WY77610	COPRIMICRO EMA	MICRO COVER EMA	COUVRE-MICRO EMA	MIKRODECKEL EMA
18	WY18251	INTERRUTTORE MICRO C7AZN	MICRO SWITCH C7AZN	MICRO INTERRUPTEUR C7AZN	MICRO SCHALTER C7AZN
19	WY22805	CABL.EMA/1 WEGA	EMA/1 CABLE	CABLAGE EMA/1	EMA/1 VERDRAHTUNG
19	WY22806	CABL.EMA/2 WEGA	EMA/2 CABLE	CABLAGE EMA/2	EMA/2 VERDRAHTUNG
19	WY22807	CABL.EMA/3 WEGA	EMA/3 CABLE	CABLAGE EMA/3	EMA/3 VERDRAHTUNG
19	WY22808	CABL.EMA/4 WEGA	EMA/4 CABLE	CABLAGE EMA/4	EMA/4 VERDRAHTUNG



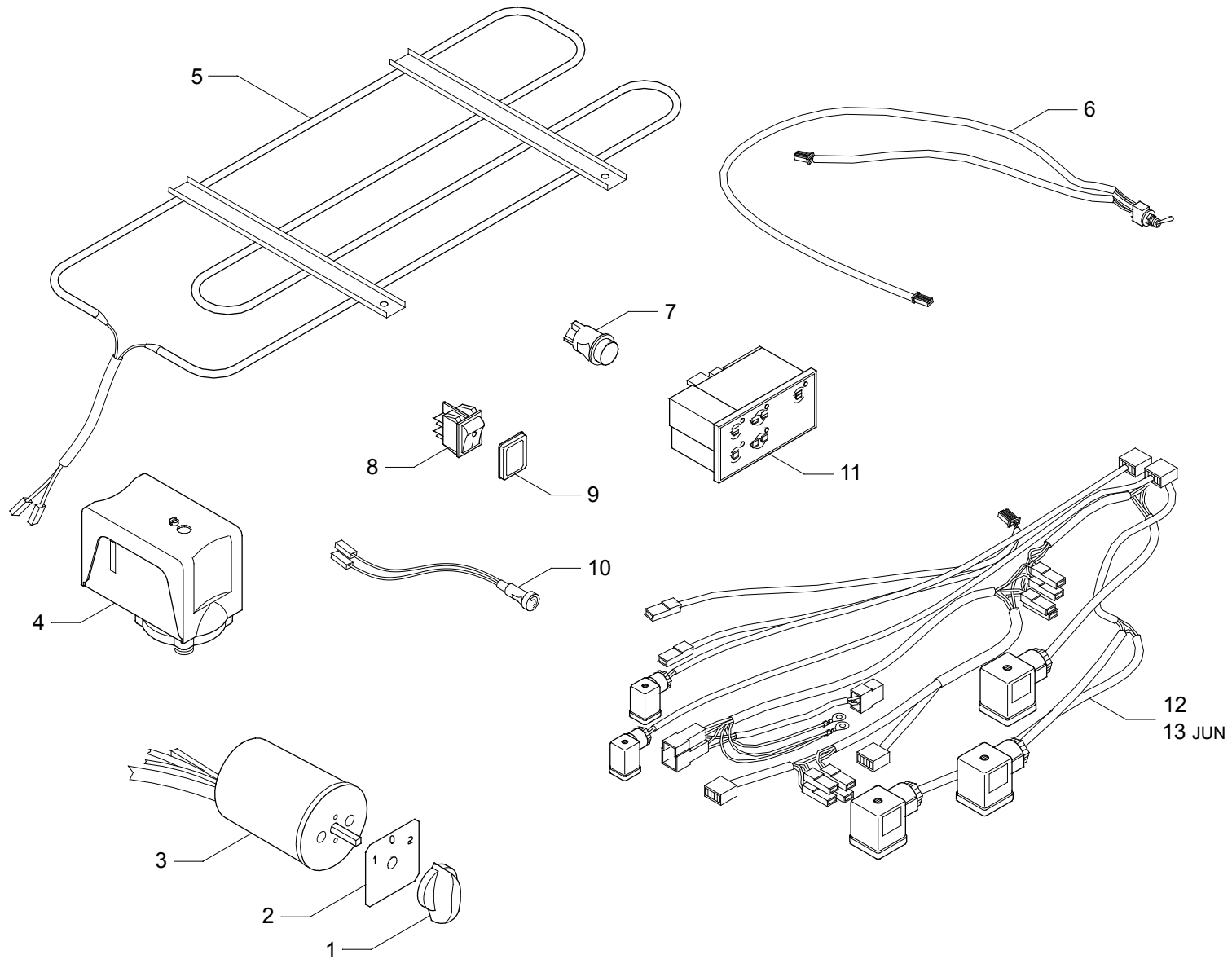
Pos	Cod.	Denominazione - IT -	Denomination - GB -	Denomination - FR -	Denomination - DE -
1	WY15271	MANOPOLA INTERR.GENERALE BREMAS	MAIN SWITCH HAND GRIP	MANETTE INTERR. GENERAL	HAUPTSCHALTERGRIFF
2	WY29067	ETICHETTA ADESIVA '1-0-2'NERO PLASTICO	ADHESIVE LABEL '1-0-2' BLACK PLASTI	ETIQ. ADHES. 1-0-2' NOIR PLASTIQUE	KLEBEETIKETTE '1-0-2'SCHWARZ PLAST
2	WY29068	ETICHETTA ADESIVA '0-1'NERO PLASTICO	PLASTIC ADHESIVE PLATE 0-1 58X58	PLAQUETTE ADHESIVE 0-1 58X58	KLEBESCHILD 0-1 58X58
3	WY18103	COMMUTATORE BREMAS A25.2 SCH.0408/7412	COMMUTATOR BREMAS A25.2	COMMUTATEUR BREMAS A25.2	UMSCHALTER BREMAS A25.2
3	WY18104	COMMUTATORE BREMAS A20.12 CS0177412	COMMUTATOR BREMAS A20.12	COMMUTATEUR BREMAS A20.12	UMSCHLATER BREMAS A20.12
3	WY18105	COMMUTATORE BREMAS A32.12 CS0257412	COMMUTATOR BREMAS A32.12	COMMUTATEUR BREMAS A32.12	UMSCHALTER BREMAS A32.12
4	WY20150	PRESSOSTATO SECCO SIRAI P302/6	SIRAI P302/6 DRY PRESSURE SWITCH	PRESSOSTAT SEC SIRAI P302/6	TROCKENDRUCKWÄCHTER SIRAI P302/6
5	WY17020	RESISTENZA 2GR 120V 200W	HEATING ELEMENT 2GR 120V 200W	RESISTANCE 2GR 120V 200W	WIDERSTAND 2GR 120V 200W
5	WY17022	RESISTENZA 2GR 230V 200W	HEATING ELEMENT 2GR 230V 200W	RESISTANCE 2GR 230V 200W	WIDERSTAND 2GR 230V 200W
5	WY170225	RESISTENZA 3GR 120V 250W	HEATING ELEMENT 3GR 120V 250W	RESISTANCE 3GR 120V 250W	WIDERSTAND 3GR 120V 250W
5	WY17023	RESISTENZA 3GR 230V 250W	HEATING ELEMENT 3GR 230V 250W	RESISTANCE 3GR 230V 250W	WIDERSTAND 3GR 230V 250
5	WY17024	RESISTENZA 4GR 230V 300W SCTE	HEATING ELEMENT 4GR 230V 300W	RESISTANCE 4GR 230V 300W	HEIZKORPER 4GR 230V 300W
6	WY78200	SUPPORTO AEA RL30 X TUTTI I TELAI	AWR BEARING RL30XALL MODUL.FRAMES	SUPPORT REA RL30 POUR TOUS CHASSIS	AWF HALTER RL30XFUR ALLE MOD.RAHMEN
7	WY18080001	REGOLATORE LIVELLO RL30/T.O.220/240V	LEVEL CONTROL RL30/T.O.220/240V	CONTROLE NIVEAU RL30/T.O.220/240V	WASSERNIVEAUREGLER RL30/TO 220/240V
7	WY18081001	REGOLATORE LIVELLO RL30/TIMEOUT 120V	LEVEL CONTROL RL30/TIMEOUT 120V	CONTROLE NIVEAU RL30/TIMEOUT 120V	WASSERNIVEAUREGLER RL30/TO 120V
8	WY77691F	PROTEZIONE CENTRALINA RL30 PER SUPP.	RL30 GEARCASE PROTECTION FOR SUPP.	PROTECTION RL30	SCHUTZGITTER RL30
9	WY56302001	ASS.SCATOLA AEA CENT/CABL 230V	AEA BOX UNIT 230V	ENSEMBLE BOITE AEA 230V	AEA BEHALTER BAUGRUPPE 230V
9	WY56302002	ASS.SCATOLA AEA CENT/CABL 120V	AEA BOX UNIT 120V	ENSEMBLE BOITE AEA 120V	AEA BEHALTER 120V
10	WY15373100	SCATOLA RL 30	RL 30 BOX	BOITE RL 30	RL 30 BEHALTER
11	WY19122	PORTAFUSIBILE P2300 10A 250V OMEGA	FUSE HOLDER P2300 10A 250V OMEGA	PORTE-FUSIBLE P2300 10A 250V OMEGA	SICHERUNGSHALTER P2300 10A 250V OM.
12	WY19100	FUSIBILE OMEGA 5X20 T-3.15A	FUSE OMEGA 5X20 F-3.15A	FUSIBLE OMEGA 5X20 F-3.15A	SCHMELZSICHERUNG 5X20 T-3.15A
13	WY18245	INT.PULSANTE SP6014C10000 BIANCO	PUSH BUTTON SWITCH SPL60 - RED	BOUTON POUSSOIR SPL60 - ROUGE	DRUCKKNOPFSCHALTER SPL60 - ROT
14	WY18260	INTERRUTTORE BIPOLARE LUMINOSO ROSSO	B418C1G210000 LUMINOUS RED BIPOLAR	INTER. BIP. LUMINEUX ROUGE B418C1G210	ZWEIPOLIGER ROTER LEUCHTSCHALTER B418C1
14	WY18262	INTERRUTTORE BIPOLARE LUM.BIANCO	B418C1L110000 LUMINOUS COLOURLESS	INT.BIP.LUMINEUX INCOLORE B418C1L11	BIPOLAR FARBLOS LEUCHTSCHALTER B418C1L11
15	WY19049	COPERTURA INTERRUTTORE B4	SWITCH COVER B4	PROTECTION INTERRUPTEUR	SCHALTER ABD. B4
16	WY21010	LAMPADA SPIA VERDE 110V CAVI L=645	GREEN WARNING LIGHT 110V 32	LAMPE TEMOIN VERTE 110V	GRUNE KONTROLLAMPE 110V 32
16	WY21011	LAMPADA SPIA VERDE 220V 332247030T	220V 332247030T GREEN INDICATOR LIG	AMPOULE TEMOIN VERT 220V 332247030T	KONTROLLEUCHE GRÜN 220V 332247030T
17	WY18162002	ELETTROVALVOLA 230V AEA VE140.2IR-C	SOL.VALVE WATER REFILL 230V PARKER	ELECTROVANNE REA 230V PARKER	ELEKTROVENTIL AWZ 230V PARKER
17	WY18195	ELETTROVALVOLA 120V VE140.2IR VDE/UL	SOLENOID VALVE SCEM 2/2 110V 60HZ	ELECTROVANNE SCEM 2/2 110V 60HZ	MAGNETVENTIL SCEM 2/2 110V 60HZ
18	WY22713	CABLAGGIO THE AUT.	CABLE THE	CABLAGE THE	VERDRAHTUNG THE
19	WY22884	CABLAGGIO EPU/1 TUV/OVE	CABLE EPU/1 TUV/OVE	CABLAGE EPU/1 TUV/OVE	EPU/1 VERDRAHTUNG TUV/OVE
19	WY22885	CABLAGGIO EPU/2 TUV/OVE	CABLE EPU/2 TUV/OVE	CABLAGE EPU/2 TUV/OVE	EPU/2 VERDRAHTUNG TUV/OVE
19	WY22886	CABLAGGIO EPU/3 TUV/OVE	CABLE EPU/3 TUV/OVE	CABLAGE EPU/3 TUV/OVE	EPU/3 VERDRAHTUNG TUV/OVE
19	WY22887	CABL.EPU/4 WEGA TUV/OVE	CABLE EPU/4 TUV/OVE	CABLAGE EPU/4 TUV/OVE	EPU/4 VERDRAHTUNG TUV/OVE



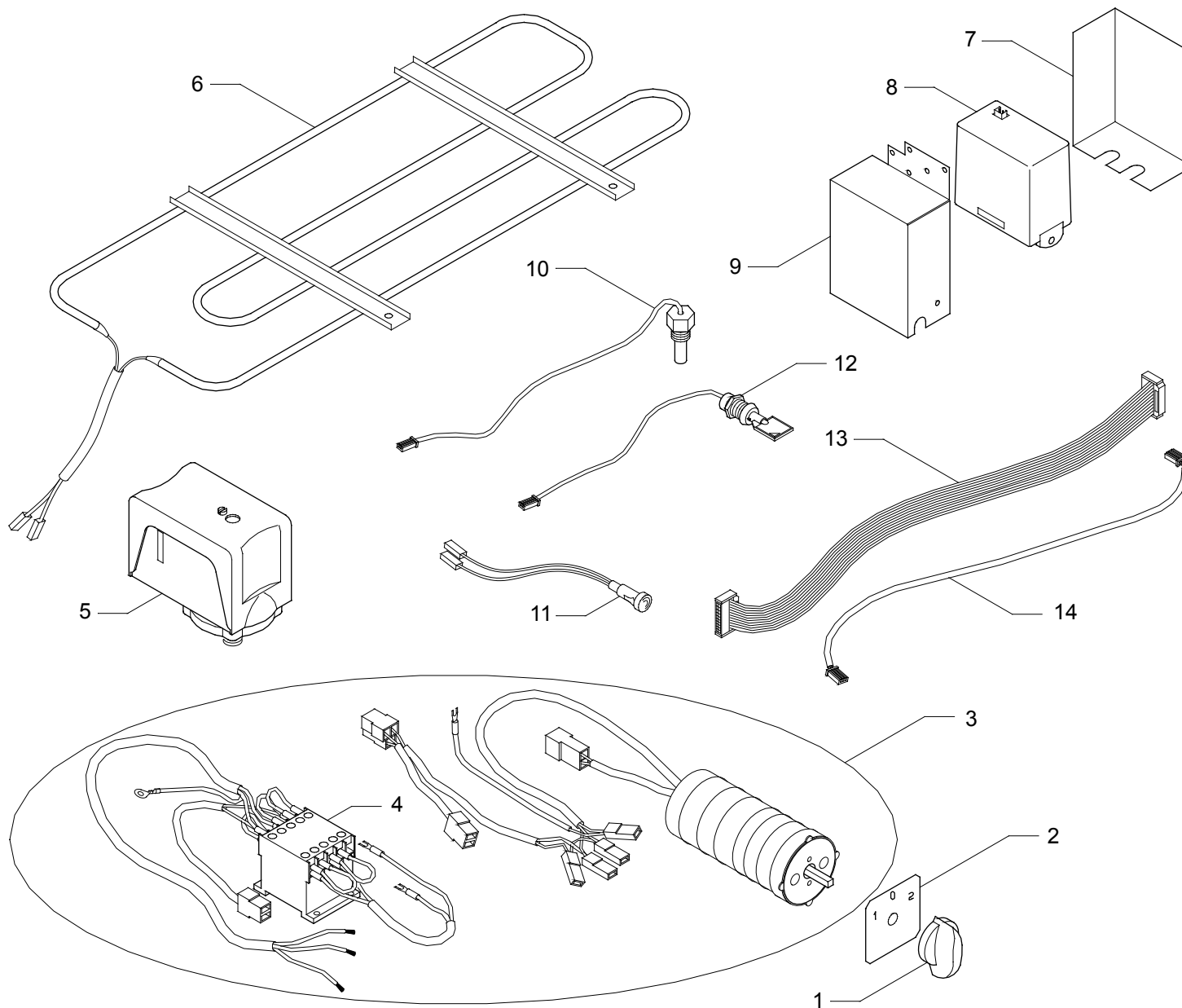
Pos	Cod.	Denominazione - IT -	Denomination - GB -	Denomination - FR -	Denomination - DE -
1	WY15271	MANOPOLA INTERR.GENERALE BREMAS	MAIN SWITCH HAND GRIP	MANETTE INTERR. GENERAL	HAUPTSCHALTERGRIFF
2	WY29067	ETICHETTA ADESIVA '1-0-2'NERO	ADHESIVE LABEL '1-0-2' BLACK PLASTI	ETIQ. ADHES. 1-0-2' NOIR PLASTIQUE	KLEBEETIKETTE '1-0-2'SCHWARZ PLAST
2	WY29068	ETICHETTA ADESIVA '0-1'NERO PLASTICO	PLASTIC ADHESIVE PLATE 0-1 58X58	PLAQUETTE ADHESIVE 0-1 58X58	KLEBESCHILD 0-1 58X58
3	WY18103	COMMUTATORE BREMAS A25.2 SCH.0408	COMMUTATOR BREMAS A25.2	COMMUTATEUR BREMAS A25.2	UMSCHALTER BREMAS A25.2
3	WY18104	COMMUTATORE BREMAS A20.12 CS0177412.	COMMUTATOR BREMAS A20.12	COMMUTATEUR BREMAS A20.12	UMSCHLATER BREMAS A20.12
3	WY18105	COMMUTATORE BREMAS A32.12 CS0257412.	COMMUTATOR BREMAS A32.12	COMMUTATEUR BREMAS A32.12	UMSCHALTER BREMAS A32.12
4	WY20150	PRESSOSTATO SECCO SIRAI P302/6	SIRAI P302/6 DRY PRESSURE SWITCH	PRESSOSTAT SEC SIRAI P302/6	TROCKENDRUCKWÄCHTER SIRAI P302/6
5	WY17020	RESISTENZA 2GR 120V 200W	HEATING ELEMENT 2GR 120V 200W	RESISTANCE 2GR 120V 200W	WIDERSTAND 2GR 120V 200W
5	WY17022	RESISTENZA 2GR 230V 200W	HEATING ELEMENT 2GR 230V 200W	RESISTANCE 2GR 230V 200W	WIDERSTAND 2GR 230V 200W
5	WY170225	RESISTENZA 3GR 120V 250W	HEATING ELEMENT 3GR 120V 250W	RESISTANCE 3GR 120V 250W	WIDERSTAND 3GR 120V 250W
5	WY17023	RESISTENZA 3GR 230V 250W	HEATING ELEMENT 3GR 230V 250W	RESISTANCE 3GR 230V 250W	WIDERSTAND 3GR 230V 250
5	WY17024	RESISTENZA 4GR 230V 300W SCTE	HEATING ELEMENT 4GR 230V 300W	RESISTANCE 4GR 230V 300W	HEIZKORPER 4GR 230V 300W
6	WY18090030	CENTRALINA 1-3GR 120V RL3	CONTROL UNIT 1-3GR 120V RL3	CENTR. 1-3GR 120V RL3	EINHEIT 1-3GR 120V RL3
6	WY18090031	CENTRALINA 1-3GR 230V RL3	CONTROL UNIT 1-3GR 230V RL3	CENTR. 1-3GR. 230V RL3	EINHEIT 1-3GR 230V RL3
7	WY78152001	SUPP.CENTRALINA RL3	GEARCASE BEARING JUN - FRAME ARG.	SUPPORT CENTRALE JUN-CHASSIS ARG.	STEUERUNG HALTER JUN-RAHMEN ARG.
8	WY78151	SUPPORTO CENTRALINA SAE	CONTROL UNIT SUPPORT SAE FRAME A/W	SUPPORT CENTRALE SAE CHASSIS AW	STEUERUNG-HALTER SAE RAHMEN A/W
9	WY18090012	CENTR.1>3GR UL 230V	CONTROL UNIT 1>3GR UL 230V	CENTR. 1>3GR UL 230V	EINHEIT 1>3GR UL 230V
9	WY18090013	CENTR.1>3GR UL 120V	CONTROL UNIT 1>3GR UL 120V	CENTR. 1>3GR UL 120V	EINHEIT 1>3GR UL 120V
9	WY18090014	CENTR.4GR UL 230V	CONTROL UNIT 4GR UL 230V	CENTR.4GR UL 230V	EINHEIT 4GR UL 230V
9	WY18090015	CENTR.4GR UL 120V	CONTROL UNIT 4GR UL 120V	CENTR. 4GR UL 120V	EINHEIT 4GR UL 120V
10	WY18077	CENTRALINA 4GR UL 220V 951438	GEARCASE MICROP.4GR 220V 950878	CENTRALE MICROP.4GR 220V 950878	MIKROP.STEUERUNG 4GR 220V 950878
10	WY18078	CENTRALINA 1/2/3GR UL 110V 951408	GEARCASE MICROP.U.L.110V 951408	CENTRALE MICROP. U.L.110V 951408	MIKROP.STEUERUNG U.L.110V 951408
10	WY18079	CENTRALINA 1/2/3GR UL 220V 951412	GEARCASE MICROP. U.L. 220V 951412	CENTRALE MICROP. U.L. 220V 951412	MIKROP.STEUERUNG U.L.220V 951412
11	WY22608	CAVO PULSANTIERA 2C F. CM90 892909	TOUCH PAD CABLE 2C F.CM80 891857	CABLE CLAVIER A TOUCHES 2C F.CM80	KABEL DER DRUCKKNOPFTAFEL 2CF CM80
11	WY22609	CAVO PULSANTIERA 2C F. CM140 891859	TOUCH PAD CABLE 2C F. CM140 891859	CABLE CLAVIER A TOUCHES 2C F. CM140	KABEL DER DRUCKKNOPFTAFEL 2CF CM140
12	WY22627	CAVO PULSANTIERA 10 POLI 80CM	80 CM CONNECTOR FOR P.BUTTON PANEL	CABLE CLAVIER 10 POLES 80 CM	KABEL BEDIENBL. 10 POLIG 80CM
12	WY22628	CAVO PULSANTIERA 10 POLI 140CM	140 CM CABLE FOR P.BUTTON PANEL	CABLE CLAVIER 10 POLES 140 CM	KABEL BEDIENBL. 10 POLIG 140CM
13	WY18249	INTERRUTTORE A LEVA PER PROGRAMMI	LEVER SWITCH FOR PROGRAMS	INTERRUPTEUR A LEVIER POUR PROGRAMMES	HEBELSCHALTER FUR PROGRAMM
13	WY22723C	CAVO CON INT.PROG."TH" L1000	1000L CABLE WITH TH SWITCH.PROGR.	CABLE AVEC INTER. PROGR.TH L.1000	KABEL MIT PROGRAMMSCHALTER TH L1000
14	WY18245	INT.PULSANTE SP6014C10000 BIANCO	PUSH BUTTON SWITCH SPL60 - RED	BOUTON POUSSOIR SPL60 - ROUGE	DRUCKKNOPFSCHALTER SPL60 - ROT
15	WY18260	INTERRUTTORE BIPOLARE LUMINOSO	B418C1G210000 LUMINOUS RED BIPOLAR	INTER. BIP. LUMINEUX ROUGE B418C1G210	ZWEIPOLIGER ROTER LEUCHTSCHALTER B418C1
15	WY18262	INTERRUTTORE BIPOLARE LUM.BIANCO	B418C1L110000 LUMINOUS COLOURLESS	INT.BIP.LUMINEUX INCOLORE B418C1L11	BIPOLAR FARBLOS LEUCHTSCHALTER B418C1L11
16	WY19049	COPERTURA INTERRUTTORE B4	SWITCH COVER B4	PROTECTION INTERRUPTEUR	SCHALTER ABD. B4
17	WY21010	LAMPADA SPIA VERDE 110V CAVI L=645	GREEN WARNING LIGHT 110V 32	LAMPE TEMOIN VERTE 110V	GRUNE KONTROLLAMPE 110V 32
17	WY21011	LAMPADA SPIA VERDE 220V 332247030T	220V 332247030T GREEN INDICATOR LIG	AMPOULE TEMOIN VERT 220V 332247030T	KONTROLLEUCHTE GRÜN 220V 332247030T
18	WY22719	CABL.THE AUT.SAE/EVD PG9 1>4GR	CABLE X AUTOM.TEA *EVD* WEGA 2-3GR	CABLAGE X TE AUTOM.*EVD*WEGA 2-3GR	VERDRAHT.XAUT.TEE *EVD* WEGA 2-3GR
19	WY22719005	CABLAGGIO THE LUNGO	LONG CABLE THE	CABLAGE THE LONG	LANGER VERKABELUNG THE
19	WY22719009	CABL.H20/MIX 2>4GR EVD	CABLE H20/MIX 2>4GR EVD	CABLAGE H20/MIX 2>4GR EVD	VERDRAHTUNG H20/MIX 2>4GR EVD



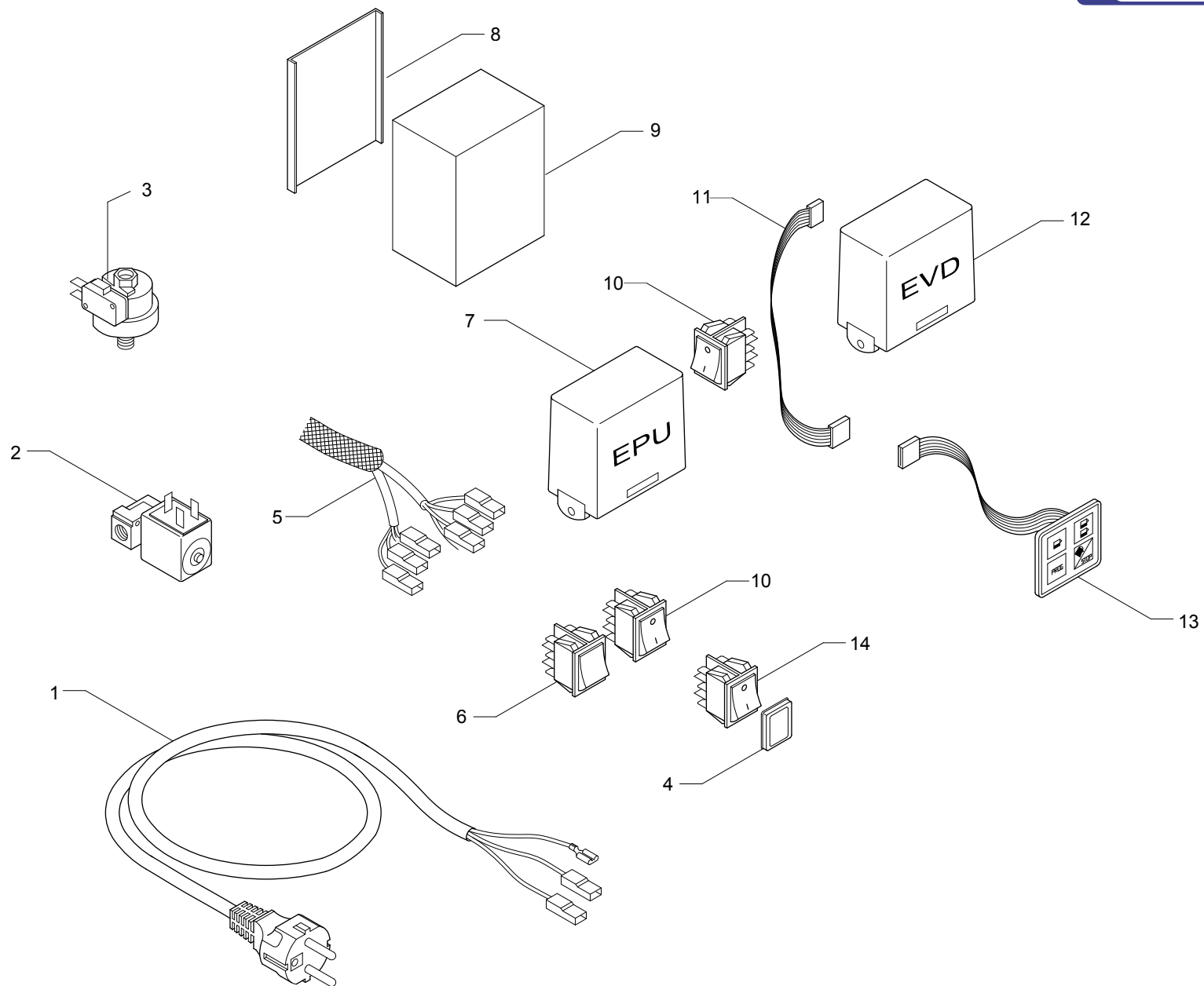
Pos	Cod.	Denominazione - IT -	Denomination - GB -	Denomination - FR -	Denomination - DE -
20	WY228005	CABLAGGIO SAE-EVD/1 NEW X PG9	CABLE SAE-EVD/1 NEW X PG9	CABLAGE SAE-EVD/1 NEW X PG9	VERDRAHTUNG SAE-EVD/1 NEW X PG9
20	WY228006	CABLAGGIO SAE-EVD/2 NEW X PG9	CABLE SAE-EVD/2 NEW X PG9	CABLAGE SAE-EVD/2 NEW X PG9	VERDRAHTUNG SAE-EVD/2 NEW X PG9
20	WY228007	CABLAGGIO SAE-EVD/3 NEW X PG9	CABLE SAE/3 NEW X PG9	CABLAGE SAE/3 NEW X PG9	VERDRAHTUNG SAE/3 NEW X PG9
20	WY228008	CABLAGGIO SAE-EVD/4 NEW X PG9	CABLE SAE/4 NEW X PG9	CABLAGE SAE/4 NEW X PG9	VERDRAHTUNG SAE/4 NEW X PG9
21	WY22800890	CABL .EVD/1	CABLE EVD/1	CABLAGE EVD/1	VERDRAHTUNG EVD/1
21	WY22800900	CABL .EVD/2	CABLE EVD/2	CABLAGE EVD/2	VERDRAHTUNG EVD/2
21	WY22800910	CABL .EVD/3	CABLE EVD/3	CABLAGE EVD/3	VERDRAHTUNG EVD/3
21	WY22800920	CABL .EVD/4	CABLE EVD/4	CABLAGE EVD/4	VERDRAHTUNG EVD/4
22	WY228049	CABLAGGIO SAE/2 PG9	CABLE SAE/2 PG9	CABLAGE SAE/2 PG9	VERKABELUNG SAE/2 PG9



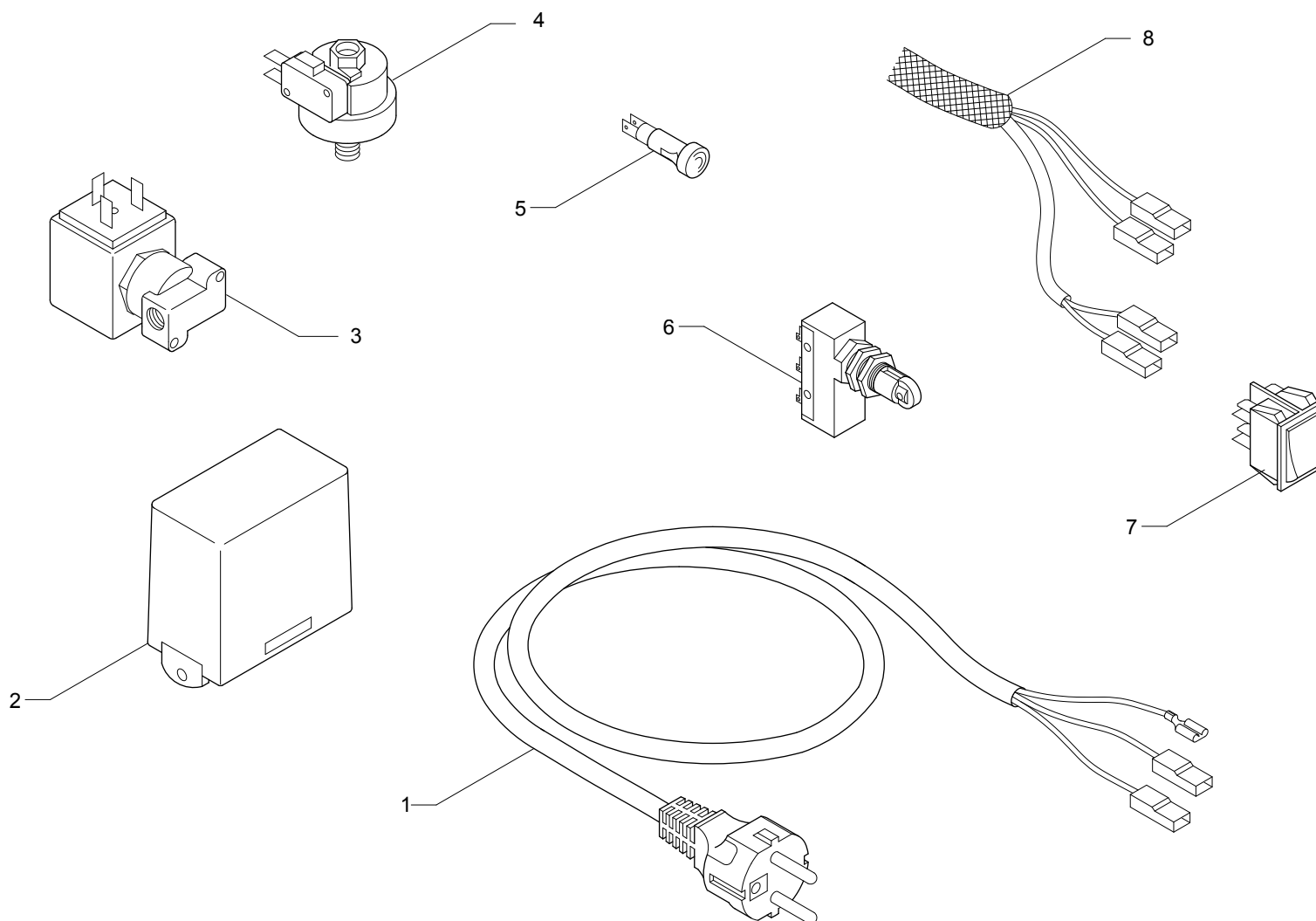
Pos	Cod.	Denominazione - IT -	Denomination - GB -	Denomination - FR -	Denomination - DE -
1	WY15271	MANOPOLA INTERR.GENERALE BREMAS	MAIN SWITCH HAND GRIP	MANETTE INTERR. GENERAL	HAUPTSCHALTERGRIFF
2	WY29067	ETICHETTA ADESIVA '1-0-2'NERO PLASTICO	ADHESIVE LABEL '1-0-2' BLACK PLASTI	ETIQ. ADHES. 1-0-2' NOIR PLASTIQUE	KLEBEETIKETTE '1-0-2'SCHWARZ PLAST
2	WY29068	ETICHETTA ADESIVA '0-1'NERO PLASTICO	PLASTIC ADHESIVE PLATE 0-1 58X58	PLAQUETTE ADHESIVE 0-1 58X58	KLEBESCHILD 0-1 58X58
3	WY18103	COMMUTATORE BREMAS A25.2 SCH.0408	COMMUTATOR BREMAS A25.2	COMMULATEUR BREMAS A25.2	UMSCHALTER BREMAS A25.2
3	WY18104	COMMUTATORE BREMAS A20.12 CS0177412.	COMMUTATOR BREMAS A20.12	COMMULATEUR BREMAS A20.12	UMSCHLATER BREMAS A20.12
3	WY18105	COMMUTATORE BREMAS A32.12 CS0257412.	COMMUTATOR BREMAS A32.12	COMMULATEUR BREMAS A32.12	UMSCHALTER BREMAS A32.12
4	WY20150	PRESSOSTATO SECCO SIRAI P302/6	SIRAI P302/6 DRY PRESSURE SWITCH	PRESSOSTAT SEC SIRAI P302/6	TROCKENDRUCKWÄCHTER SIRAI P302/6
5	WY17020	RESISTENZA 2GR 120V 200W	HEATING ELEMENT 2GR 120V 200W	RESISTANCE 2GR 120V 200W	WIDERSTAND 2GR 120V 200W
5	WY17022	RESISTENZA 2GR 230V 200W	HEATING ELEMENT 2GR 230V 200W	RESISTANCE 2GR 230V 200W	WIDERSTAND 2GR 230V 200W
5	WY170225	RESISTENZA 3GR 120V 250W	HEATING ELEMENT 3GR 120V 250W	RESISTANCE 3GR 120V 250W	WIDERSTAND 3GR 120V 250W
5	WY17023	RESISTENZA 3GR 230V 250W	HEATING ELEMENT 3GR 230V 250W	RESISTANCE 3GR 230V 250W	WIDERSTAND 3GR 230V 250
5	WY17024	RESISTENZA 4GR 230V 300W SCTE	HEATING ELEMENT 4GR 230V 300W	RESISTANCE 4GR 230V 300W	HEIZKORPER 4GR 230V 300W
6	WY22723C	CAVO CON INT.PROG."TH" L1000	1000L CABLE WITH TH SWITCH.PROGR.	CABLE AVEC INTER. PROGR.TH L.1000	KABEL MIT PROGRAMMSCHALTER TH L1000
7	WY18245	INT.PULSANTE SP6014C10000 BIANCO	PUSH BUTTON SWITCH SPL60 - RED	BOUTON POUSSOIR SPL60 - ROUGE	DRUCKKNOPFSCHALTER SPL60 - ROT
8	WY18260	INTERRUTTORE BIPOLARE LUMINOSO ROSSO	B418C1G210000 LUMINOUS RED BIPOLAR	INTER. BIP. LUMINEUX ROUGE B418C1G210	ZWEIPOLIGER ROTER LEUCHTSCHALTER B418C1
8	WY18262	INTERRUTTORE BIPOLARE LUM.BIANCO	B418C1L110000 LUMINOUS COLOURLESS	INT.BIP.LUMINEUX INCOLORE B418C1L11	BIPOLAR FARBLOS LEUCHTSCHALTER B418C1L11
9	WY19049	COPERTURA INTERRUTTORE B4	SWITCH COVER B4	PROTECTION INTERRUPTEUR	SCHALTER ABD. B4
10	WY21010	LAMPADA SPIA VERDE 110V CAVI L=645	GREEN WARNING LIGHT 110V 32	LAMPE TEMOIN VERTE 110V	GRUNE KONTROLLAMPE 110V 32
10	WY21011	LAMPADA SPIA VERDE 220V 332247030T	220V 332247030T GREEN INDICATOR LIG	AMPOULE TEMOIN VERT 220V 332247030T	KONTROLLEUCHE GRÜN 220V 332247030T
11	WY18362	PULS.TH EVD JUN NERA 220V 951739*97	TOUCH PAD "TH" EVD 220V	CLAVIER "TH" EVD 220V	DRUCKKNOPFTAFEL "TH" EVD 220V
11	WY18363	PULS.TH EVD JUN NERA 110V 951740*97	TOUCH PAD "TH" EVD 110V	CLAVIER "TH" EVD 110V	DRUCKKNOPFTAFEL EVD 110V
12	WY22820301	CABLAGGIO 1GR. PG9 96	1GR. CABLING	CABLAGE 1GR.	VERKABELUNG 1GR.
12	WY22820302	CABLAGGIO 2GR. PG9 96	2GR. CABLING	CABLAGE 2GR.	VERKABELUNG 2GR.
12	WY22820303	CABLAGGIO 3GR. PG9 96	3GR. CABLING	CABLAGE 3GR.	VERKABELUNG 3GR.
13	WY22896	CABL.EVD/1 JUNIOR PARKER 96..	CABLE EVD/1 JUNIOR PARKER 96	CABLAGE EVD/1 JUNIOR PARKER 96	VERDRAHTUNG EVD/1 JUNIOR PARKER 96



Pos	Cod.	Denominazione - IT -	Denomination - GB -	Denomination - FR -	Denomination - DE -
1	WY15271	MANOPOLA INTERR.GENERALE BREMAS	MAIN SWITCH HAND GRIP	MANETTE INTERR. GENERAL	HAUPTSCHALTERGRIFF
2	WY29067	ETICHETTA ADESIVA '1-0-2'NERO PLASTICO	ADHESIVE LABEL '1-0-2' BLACK PLASTI	ETIQ. ADHES. 1-0-2' NOIR PLASTIQUE	KLEBEETIKETTE '1-0-2'SCHWARZ PLAST
2	WY29068	ETICHETTA ADESIVA '0-1'NERO PLASTICO	PLASTIC ADHESIVE PLATE 0-1 58X58	PLAQUETTE ADHESIVE 0-1 58X58	KLEBESCHILD 0-1 58X58
3	WY22980001	COM.3GR 3F+N 18102+20299 D2.5	COMMUTATOR 3GR 3F+N 18102+20299	COMMULATEUR 3GR 3F+N 18102+20299	UMSCHLATER 3GR 3F+N 18102+20299
4	WY20299	TELERUTTORE TETRAPOLARE 220V	REM.CONTR.SWITCH 220V	TELERUPTEUR 220V	FERNSCHALTER 220V
5	WY20150	PRESSOSTATO SECCO SIRAI P302/6	SIRAI P302/6 DRY PRESSURE SWITCH	PRESSOSTAT SEC SIRAI P302/6	TROCKENDRUCKWÄCHTER SIRAI P302/6
6	WY17020	RESISTENZA 2GR 120V 200W	HEATING ELEMENT 2GR 120V 200W	RESISTANCE 2GR 120V 200W	WIDERSTAND 2GR 120V 200W
6	WY17022	RESISTENZA 2GR 230V 200W	HEATING ELEMENT 2GR 230V 200W	RESISTANCE 2GR 230V 200W	WIDERSTAND 2GR 230V 200W
6	WY170225	RESISTENZA 3GR 120V 250W	HEATING ELEMENT 3GR 120V 250W	RESISTANCE 3GR 120V 250W	WIDERSTAND 3GR 120V 250W
6	WY17023	RESISTENZA 3GR 230V 250W	HEATING ELEMENT 3GR 230V 250W	RESISTANCE 3GR 230V 250W	WIDERSTAND 3GR 230V 250
6	WY17024	RESISTENZA 4GR 230V 300W SCTE	HEATING ELEMENT 4GR 230V 300W	RESISTANCE 4GR 230V 300W	HEIZKORPER 4GR 230V 300W
7	WY77691F	PROTEZIONE CENTRALINA RL30 PER SUPP.	RL30 GEARCASE PROTECTION FOR SUPP.	PROTECTION RL30	SCHUTZGITTER RL30
8	WY18090018	CENTRALINA CPU X DISPLAY SPH 230V	CONTROL UNIT CPU DISPLAY 230V	CENTR. CPU DISPLAY 230V	EINHEIT CPU DISPLAY 230V
8	WY18090019	CENTRALINA CPU X DISPLAY SPH 230V	CONTROL UNIT CPU DISPLAY 120V	CENTR. CPU DISPLAY 120V	EINHEIT CPU DISPLAY 120V
9	WY78200	SUPPORTO AEA RL30 X TUTTI I TELAI	AWR BEARING RL30XALL MODUL.FRAMES	SUPPORT REA RL30 POUR TOUS CHASSIS	AWF HALTER RL30XFUR ALLE MOD.RAHMEN
10	WY20255	SONDA TEMPERATURA CALD.DISPLAY	BOILER TEMP.PROBE DISPLAY	SONDE CHAUDIERE DISPLAY	KESSELSONDE DISPLAY
11	WY21010	LAMPADA SPIA VERDE 110V CAVI L=645	GREEN WARNING LIGHT 110V 32	LAMPE TEMOIN VERTE 110V	GRUNE KONTROLLAMPE 110V 32
11	WY21011	LAMPADA SPIA VERDE 220V 332247030T	220V 332247030T GREEN INDICATOR LIG	AMPOULE TEMOIN VERT 220V 332247030T	KONTROLLEUCHTE GRÜN 220V 332247030T
12	WY22723003	CAVO PROG+INT.A CHIAVE L50	PROGRAMM CABLE + SWITCH	PETIT CABLE PROGRAMMATION + INT	PROGRAMMKABEL + SCHALTER AUT.
13	WY22557	CAVO COLLEGAMENTO CPU-DISPLAY	CABLE CPU-DISPLAY	CABLAGE CPU-DISPLAY	VERDRAHTUNG CPU-DISPLAY
14	WY22558	CAVO SERIALE CPU/DISP.-DOSATURA	CABLE CPU/DISP.-DOS	CABLAGE CPU/DISPLAY-DOS	VERDRAHTUNG CPU/DISPLAY-DOS



Pos	Cod.	Denominazione - IT -	Denomination - GB -	Denomination - FR -	Denomination - DE -
1	WY22030	CAVO H 0.5VV-F 3X1.5+SPINA258 L2500	CABLE H 0.5VV-F 3X1.5 + PLUG 258	CABLE H 0.5VV-F 3X1.5 + FICHE 258	KABEL H 0.5VV-F 3X1.5 + STECKER 258
1	WY22031	CAVO H 0.5V-V 3X1.5+SPINA USA L2500	CABLE H0.5V-V 3X1.5+PLUG USA L2500	CABLE H0.5V-V 3X1.5+FICHE USA L2500	KABEL H0.5V-V 3X1.5+STECKER USA
2	WY18162002	ELETTROVALVOLA 230V AEA VE140.2IR-C	SOL.VALVE WATER REFILL 230V PARKER	ELECTROVANNE REA 230V PARKER	ELEKTROVENTIL AWZ 230V PARKER
2	WY18195	ELETTROVALVOLA 120V VE140.2IR VDE/UL	SOLENOID VALVE SCEM 2/2 110V 60HZ	ELECTROVANNE SCEM 2/2 110V 60HZ	MAGNETVENTIL SCEM 2/2 110V 60HZ
3	WY20155	PRESSOSTATO XP79B921.010 T.1BAR 1/8GAS	PRESSURE SWITCH 1 BAR 1/8 GAS	PRESSOSTAT P79B921.010 1BAR 1/8 GAZ	DRUCKMESSER XP79B921.010 T.1BAR 1/8
4	WY19049	COPERTURA INTERRUTTORE B4	SWITCH COVER B4	PROTECTION INTERRUPTEUR	SCHALTER ABD. B4
5	WY227174	CABL.DOSATORE MININOVA EVD +VITE+GU	CABLE DOS. MININOVA EVD	CABLAGE DOS. MININOVA EVD	VERDRAHTUNG DOS. MININOVA EVD
5	WY22718103	CABL.PROLUNGA INT.MININOVA	CABLE MININOVA	CABLAGE MININOVA	VERDRAHTUNG MININOVA
5	WY22722006	CABLAGGIO MININOVA EVD VIB.	CABLE MININOVA EVD VIB.	CABLAGE MININOVA EVD VIB.	VERDRAHTUNG MININOVA EVD VIB.
5	WY22722007	CABLAGGIO MININOVA EVD M.I.	CABLE MININOVA EVD M.I.	CABLAGE MININOVA EVD M.I.	VERDRAHTUNG MININOVA EVD M.I.
6	WY18268	PULSANTE BIPOLARE ROSSO B417B19000000	RED BIPOLAR SWITCH B417B19000000	BOUTON BIP.ROUGE B417B19000000	ZWEIP.ROT DRUCKKNOPF B417B19000000
7	WY18043	CENTRALINA MFC 2S COMPACT 110V	COMPACT GEARCASE MFC 2S 110V	CENTRALE MFC 2S COMPACT 110V	COMPACT STEUERUNG MFC 2S 110V
7	WY18045	CENTRALINA MFC 2S COMPACT 220/240V	COMPACT GEARCASE MFC 2S 220/240V	CENTRALE MFC 2S COMPACT 220/240V	STEUERUNG MFC 2S COMPACT 220/240V
8	WY77710002	COPERCHIO SCATOLA CENTRALINA	LID GEARCASE BOX	COUVERCLE BOITE POUR CENTRALE	DECKEL GEHAUSE FUR STEUERUNG
9	WY77710001	SCATOLA CENTRALINA	GEARCASE BOX	BOITE POUR CENTRALE	GAHAUSE FUR STEUERUNG
10	WY18135	DEVIATORE BIP.ROSSO B41LC19210000	RED BIPOLAR SWITCH B41LC19210000	COMMUTATEUR BIP.ROUGE B41LC19210000	UMSCHALTER 2P. ROT B41LC19210000
11	WY22612001	CAVO PROLUNGA MININOVA L.30CM	CABLE EVD MININOVA L.30CM	CABLAGE EVD MININOVA L.30CM	VERDRAHTUNG EVD MININOVA L.30CM
12	WY18082	CENTR.MININOVA 912304 220/240V	CONTROL UNIT MININOVA 220/240V	CENTR. MININOVA 220/240V	EINHEIT MININOVA 220/240V
12	WY18083	CENTR.MININOVA 912305 110V	CONTROL UNIT MININOVA 110V	CENTR. MININOVA 110V	EINHEIT MININOVA 110V
13	WY18349	PULSANTIERA MININOVA	PUSH BUTTON MININOVA	CLAVIER MININOVA	BEDIENBL. MININOVA
14	WY18260	INTERRUTTORE BIPOLARE LUMINOSO ROSSO	B418C1G210000 LUMINOUS RED BIPOLAR	INTER. BIP. LUMINEUX ROUGE B418C1G210	ZWEIPOLIGER ROTER LEUCHTSCHALTER B418C1



Pos	Cod.	Denominazione - IT -	Denomination - GB -	Denomination - FR -	Denomination - DE -
1	WY22030	CAVO H 0.5VV-F 3X1.5+SPINA258 L2500	CABLE H 0.5VV-F 3X1.5 + PLUG 258	CABLE H 0.5VV-F 3X1.5 + FICHE 258	KABEL H 0.5VV-F 3X1.5 + STECKER 258
1	WY22031	CAVO H 0.5V-V 3X1.5+SPINA USA L2500	CABLE H0.5V-V 3X1.5+PLUG USA L2500	CABLE H0.5V-V 3X1.5+FICHE USA L2500	KABEL H0.5V-V 3X1.5+STECKER USA
2	WY18043	CENTRALINA MFC 2S COMPACT 110V	COMPACT GEARCASE MFC 2S 110V	CENTRALE MFC 2S COMPACT 110V	COMPACT STEUERUNG MFC 2S 110V
2	WY18045	CENTRALINA MFC 2S COMPACT 220/240V	COMPACT GEARCASE MFC 2S 220/240V	CENTRALE MFC 2S COMPACT 220/240V	STEUERUNG MFC 2S COMPACT 220/240V
3	WY18162002	ELETTROVALVOLA 230V AEA VE140.2IR-C	SOL.VALVE WATER REFILL 230V PARKER	ELECTROVANNE REA 230V PARKER	ELEKTROVENTIL AWZ 230V PARKER
3	WY18195	ELETTROVALVOLA 120V VE140.2IR VDE/UL	SOLENOID VALVE SCEM 2/2 110V 60HZ	ELECTROVANNE SCEM 2/2 110V 60HZ	MAGNETVENTIL SCEM 2/2 110V 60HZ
4	WY20155	PRESSOSTATO XP79B921.010 T.1BAR 1/8GAS	PRESSURE SWITCH 1 BAR 1/8 GAS	PRESSOSTAT P79B921.010 1BAR 1/8 GAZ	DRUCKMESSER XP79B921.010 T.1BAR 1/8
5	WY21004	LAMPADA SPIA UL/CSA 110V 3322040171	WARNING LIGHT UL/CSA 110V	LAMPE TEMOIN UL/CSA 110V	KONTROLLAMPE UL/CSA 110V
5	WY21011	LAMPADA SPIA VERDE 220V 332247030T	220V 332247030T GREEN INDICATOR LIG	AMPOULE TEMOIN VERT 220V 332247030T	KONTROLLEUCHE GRÜN 220V 332247030T
6	WY18251	INTERRUTTORE MICRO C7AZN	MICRO SWITCH C7AZN	MICRO INTERRUPTEUR C7AZN	MICRO SCHALTER C7AZN
7	WY18263	INTERRUTTORE BIP. NERO LED LUMIN.ROSSO	BIP. LUMIN. BLACK SWITCH B438C1100G000	INTER.BIP.LUMIN. NOIR B438C1100G000	ZWEIP.SCHALTER M. SCHWARZ LEUCHE B438C1
8	WY22650000	CABLAGGIO NOVECENTO	CABLE NOVECENTO	CABLAGE NOVECENTO	VERDRAHTUNG NOVECENTO