

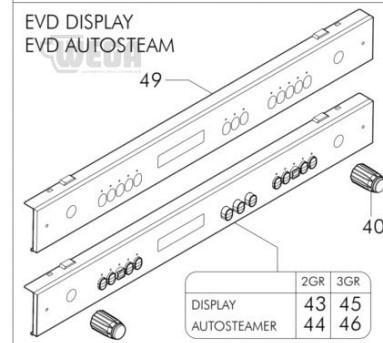
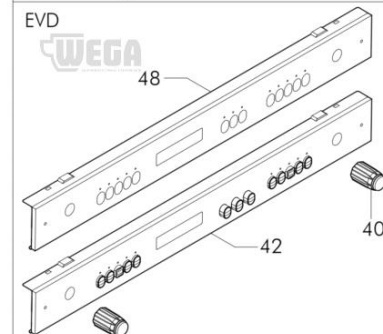
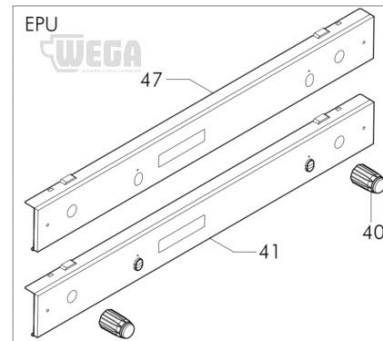
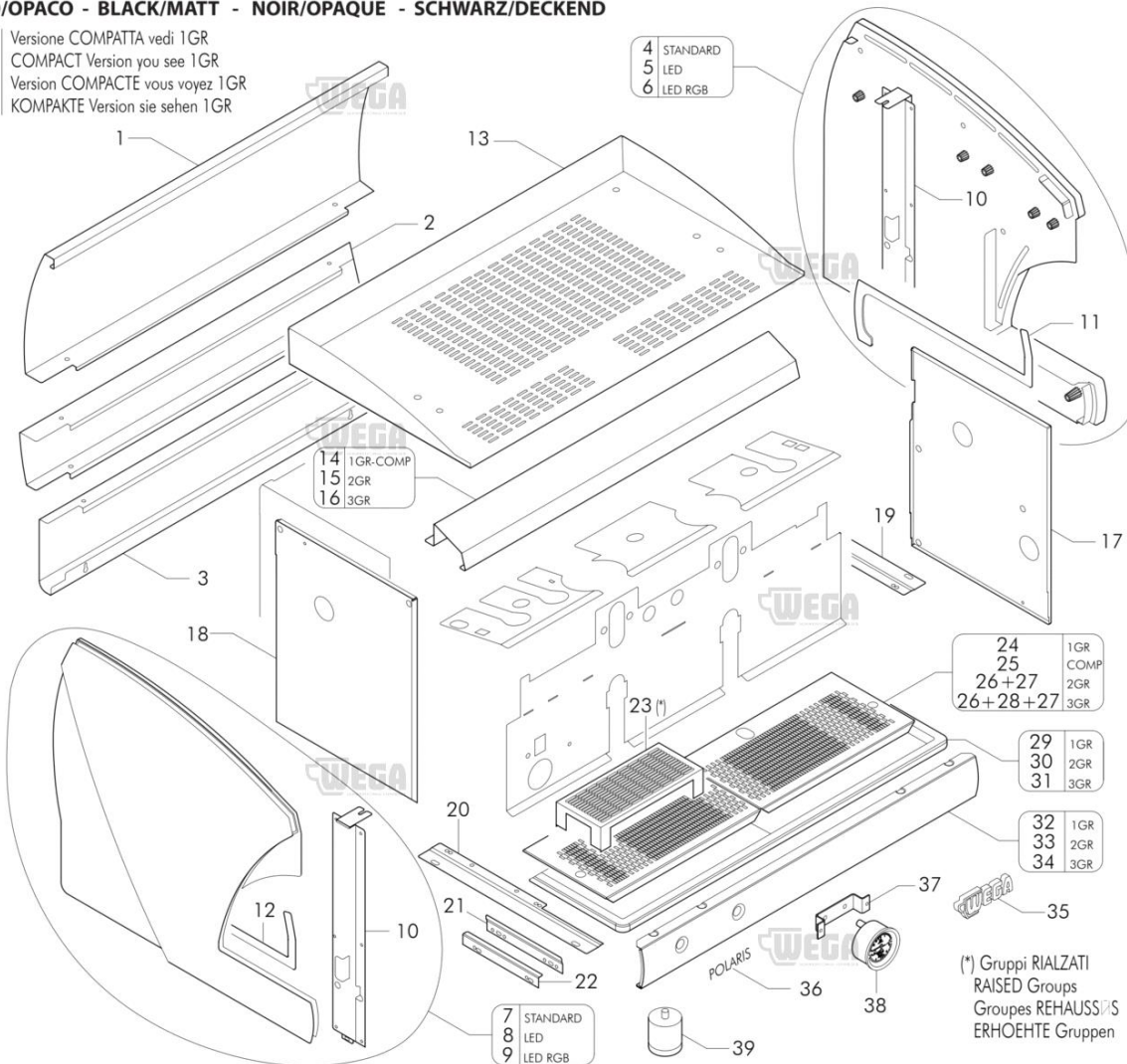


Carrozzeria - Body parts - Carrosserie - Karosserie

NERO/OPACO - BLACK/MATT - NOIR/OPAQUE - SCHWARZ/DECKEND

PR14-03U rev. 04  
09/2024

Versione COMPATTA vedi 1GR  
 COMPACT Version you see 1GR  
 Version COMPACTE vous voyez 1GR  
 KOMPAKTE Version sie sehen 1GR



POLARIS 14 USA



Pos	Article number	Description	Characteristic
0001	75901336	BACK TOP PANEL 1GR BLACK/MATT	
0001	75901339	BACK TOP PANEL 2GR BLACK/MATT	
0001	75901342	BACK TOP PANEL 3GR BLACK/MATT	
0002	75901281	BACK CENTRAL PANEL 1GR S.STEEL	
0002	75901284	AE10-E BACK CENTRAL PANEL 2GR S.STEEL	
0002	75901287	BACK CENTRAL PANEL 3GR S.STEEL POLARIS	
0003	75901334	BACK LOWER PANEL 1GR BLACK/MATT	
0003	75901337	BACK LOWER PANEL 2GR BLACK/MATT	
0003	75901340	BACK LOWER PANEL 3GR BLACK/MATT	
0004	56910700	ASSEMBLY RIGHT SIDE BLACK/MATT	
0005	56910702	RIGHT SIDE ASSEMBLY + LED POLARIS -14- MATT BLACK	
0006	56910704	ASSEMBLY RIGHT SIDE BLACK/MATT+RGB LED	
0007	56910701	ASSEMBLY LEFT SIDE BLACK/MATT	
0008	56910703	LEFT SIDE ASSEMBLY + LED POLARIS -14- MATT BLACK	
0009	56910705	ASSEMBLY LEFT SIDE BLACK/MATT+RGB LED	
0010	77693019	SIDE BRACKET REINFORCEMENT	
0011	12245000	SIDE GASKET	
0012	12245001	SIDE GASKET	
0013	76100234	TOP GRATE 1GR S.STEEL	
0013	76100235	AF6-A TOP GRATE 2GR S.STEEL	
0013	76100236	TOP PANEL 3 GRP POLARIS	
0014	72694060	S.STEEL COVER-GROUP 1GR	
0015	72694061	AE1-E S.STEEL GROUP-COVER 2GR	
0016	72694062	S.STEEL GROUP-COVER 3GR	
0017	77693020	RIGHT SIDE GUARD	
0018	77693021	LEFT SIDE GUARD	
0019	77217014	LOWER LEFT SIDE BRACKET	
0020	77217013	LOWER RIGHT SIDE BRACKET	
0021	77742042	RIGHT/LEFT BASIN GUIDE FOR FRAMES	
0022	77742009	SPACER GLOSSY	
0023	76149038	CUPS-STAND FOR RAISED GROUP	
0024	76153000	W6-B LOWER GRILL 456x201 SHINY S.STEEL	
0025	76153001	LOWER GRILL 496x201 SHINY S.STEEL	

Pos	Article number	Description	Characteristic
0026	76154000	RIGHT LOWER GRILL -SHINY S.STEEL	
0027	76155000	LEFT LOWER GRILL - SHINY S.STEEL	
0028	76156000	LOWER GRILL - SHINY S.STEEL	
0029	76095	1GR GLOSSY STAINLESS STEEL TRAY	
0030	76096	>2GR GLOSSY STAINLESS STEEL TRAY	
0031	76097	3GR GLOSSY STAINLESS STEEL TRAY	
0032	77555070	BASE SURROUND 1GR S.STEEL	
0033	77555071	BASE SURROUND 2GR S.STEEL	
0034	77555072	AG4-F BASE SURROUND 3GR S.STEEL	
0035	29089302	ADHESIVE LABEL 'WEGA' RED/BLACK 82x30	
0036	29089309	ADHESIVE LABEL POLARIS	
0037	78150056	GAUGE SUPPORT	
0038	4621115001	PRESSURE GAUGE	FOOD
0039	15318002	ADJUSTABLE FOOT H55/69	
0040	15278057	TAP KNOB LEVER	
0041	56901665	ASSEMBLY FRONT PANEL EPU/1 BLACK	
0041	56901667	ASSEMBLY FRONT PANEL EPU/2C BLACK	
0041	56901669	ASSEMBLY FRONT PANEL EPU/2 BLACK	
0041	56901673	ASSEMBLY FRONT PANEL EPU/3 BLACK	
0042	56901666	ASSEMBLY FRONT PANEL EVD/1 BLACK	
0042	56901668	ASSEMBLY FRONT PANEL EVD/2C BLACK	
0042	56901670	AD1-F ASSEMBLY FRONT PANEL EVD/2 BLACK	
0042	56901674	ASSEMBLY FRONT PANEL EVD/3 BLACK	
0043	56901671	ASSEMBLY FRONT PANEL EVD/2+DSP BLACK	
0044	56901672	ASS.FRONT PANEL EVD/2+DSP+A/STEAM. BLACK	
0045	56901675	AD2-A ASSEMBLY FRONT PANEL EVD/3+DISPLAY BLACK	
0046	56901676	ASS. FRONT PANEL EVD/3+DSP+A/STEAM BLACK	
0047	83710002R	ASSEMBLY FRONT PANEL EPU/1	
0047	83710003R	ASSEMBLY FRONT PANEL EPU/2C	
0047	83710004R	ASSEMBLY FRONT PANEL EPU/2	
0047	83710005R	ASSEMBLY FRONT PANEL EPU/3	
0048	83710006R	ASSEMBLY FRONT PANEL EVD/1	
0048	83710007R	ASSEMBLY FRONT PANEL EVD/2C	

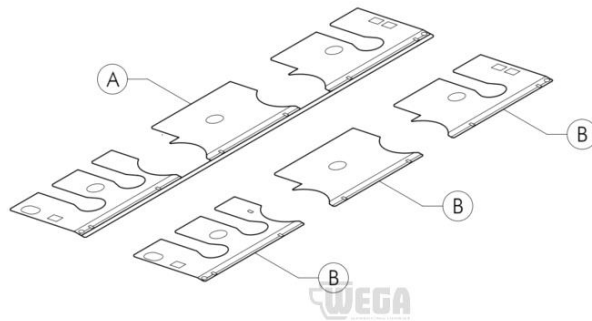
Pos	Article number	Description	Characteristic
0048	83710008R	ASSEMBLY FRONT PANEL EVD/2	
0048	83710009R	POLARIS FRONT PANEL EVD/3 ASSEMBLY	
0049	83710010R	ASSEMBLY FRONT PANEL EVD/2 DISPLAY	
0049	83710011R	ASSEMBLY FRONT PANEL EVD/2 ASTEAM	
0049	83710012R	ASSEMBLY FRONT PANEL EVD/3 DISPLAY	
0049	83710013R	ASSEMBLY FRONT PANEL EVD/3 ASTEAM	

Copri impianto - Cable cover - Couvre cablage - Verdrahtundeckel

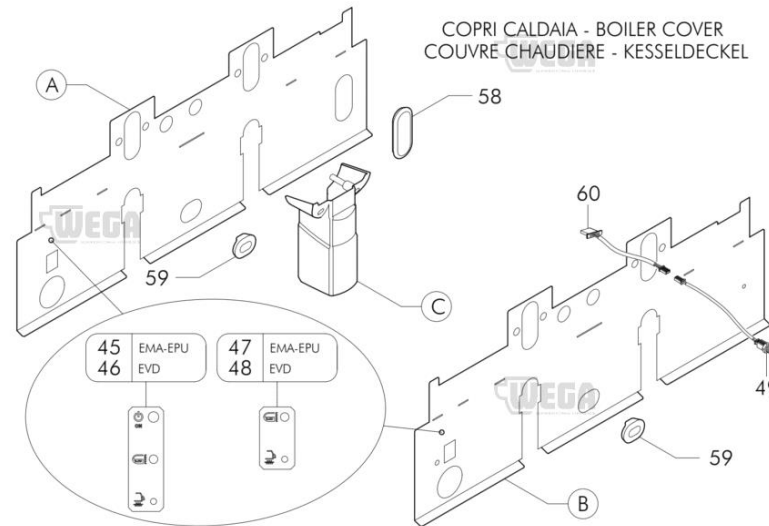
Copri caldaia - Boiler cover - Couvre chaudiere - Kesseldeckel

**PR14-05U** rev. 01  
09/2024

COPRI IMPIANTO - CABLE COVER  
COUVRE CABLAGE - VERDRAHTUNDECKEL



COPRI CALDAIA - BOILER COVER  
COUVRE CHAUDIERE - KESSELDECKEL



A GRUPPI STANDARD STANDARD GROUPS		
senza without LED	1	1GR
	2	COMP
	3	2GR
	4	3GR
con with LED	5	1GR
	6	COMP
	7	2GR
	8	3GR

B GRUPPI RIALZATI RAISED GROUPS		
senza without LED	9 +10	1GR
	11+12 +13	COMP
	14+15 +16	2-3GR
con with LED	17+18	1GR
	19+20	COMP
	21+22 +23	2-3GR

A LIVELLO OTTICO OPTICAL LEVEL				
GRUPPI STANDARD STANDARD GROUPS		GRUPPI RIALZATI RAISED GROUPS		
EPU	24	1GR		
	25	COMP		
	26	2GR		
	27	3GR		
EVD	28	1GR	34	1GR
	29	COMP	35	COMP
	30	2GR	36	2GR
	31	3GR	37	3GR
DISPLAY	32	2GR	38	2GR
	33	3GR	39	3GR

B SPIA LIVELLO LIGHT LEVEL		
GRUPPI STANDARD STANDARD GROUPS		GRUPPI RIALZATI RAISED GROUPS
EPU EVD	40	1GR
	41	2GR
	42	3GR
DISPLAY	43	2GR
	44	3GR
EPU EVD	50	1GR
	51	2GR
	52	3GR
DISPLAY	53	2GR
	54	3GR

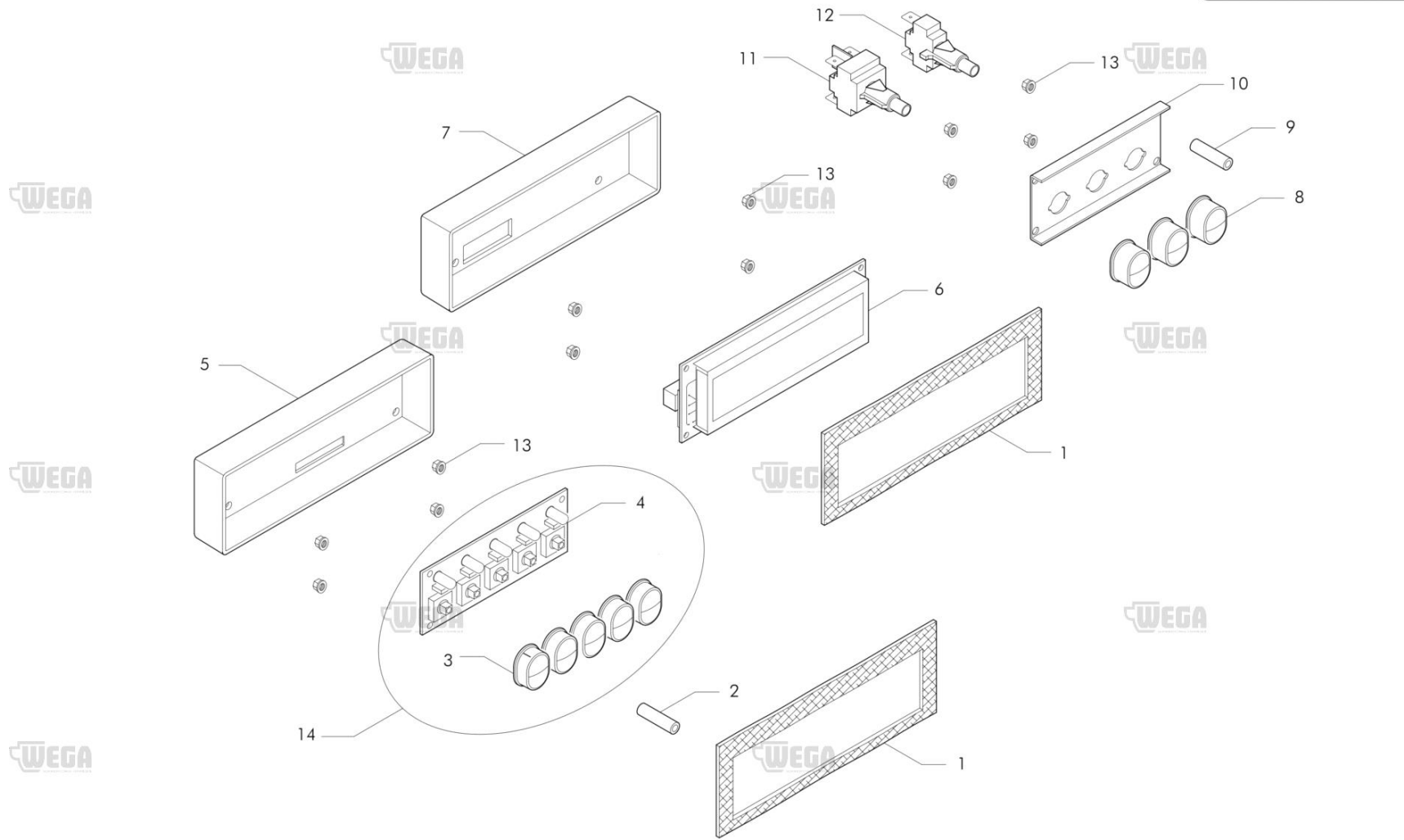
C	PROTEZIONE GRUPPO GROUP COVER	GRUPPI STANDARD STANDARD GROUPS	GRUPPI RIALZATI RAISED GROUPS	GRUPPI RIALZATI RAISED GROUPS
		55	ABS 56	INOX 57

Pos	Article number	Description	Characteristic
0001	77308058	S.STEEL CABLE COVER 1GR	
0002	77308059	S.STEEL CABLE COVER 2GR/C	
0003	77308060	S.STEEL CABLE COVER 2GR	
0004	77308061	S.STEEL CABLE COVER 3GR	
0005	77308062	S.STEEL CABLE COVER 1GR+LED	
0006	77308063	S.STEEL CABLE COVER 2GR/C+LED	
0007	77308064	S.STEEL CABLE COVER 2GR+LED	
0008	77308065	S.STEEL CABLE COVER 3GR+LED	
0009	77308067	S.STEEL CABLE COVER LEFT 1GR RAISED GR.	
0010	77308066	S.STEEL CABLE COVER RIGHT 1GR RAISED GR.	
0011	77308070	S.STEEL CABLE COVER LEFT 2GR/C RAISED GR	
0012	77308069	S.STEEL CABLE COVER CENT. 2GR/C RAIS. GR	
0013	77308068	S.STEEL CABLE COVER RIGHT 2GR/C RAIS.GR.	
0014	77308073	S.STEEL CABLE COVER LEFT 2/3 GR. RAISED	
0015	77308072	S.STEEL CABLE COVER RIGHT 2/3GR RAISED	
0016	77308071	S.STEEL CABLE COVER RIGHT 2/3GR RAISED	
0017	77308075	S.STEEL CABLE COVER LEFT 1GR RAISED+LED	
0018	77308074	S.STEEL CABLE COVER RIGHT 1GR.RAISED+LED	
0019	77308077	S.STEEL CABLE COVER LEFT 2GR/C RAISED GR	
0020	77308076	S.STEEL CABLE COVER RIGHT 2GR/C+LED RAIS	
0021	77308080	S.STEEL CABLE COVER LEFT 2/3GR+LED RAIS.	
0022	77308079	S.STEEL CABLE COVER CENT. 2/3GR+LED RAIS	
0023	77308078	S.STEEL CABLE COVER RIGHT 2/3GR+LED RAIS.	
0024	77877043	S.STEEL BOILER-COVER EPU/1	
0025	77877044	S.STEEL BOILER COVER EPU/2C	
0026	77877045	S.STEEL BOILER COVER EPU/2	
0027	77877046	S.STEEL BOILER COVER EPU/3	
0028	77877047	S.STEEL BOILER COVER EVD/1	
0029	77877048	S.STEEL BOILER COVER EVD/2C	
0030	77877049	S.STEEL BOILER COVER EVD/2	
0031	77877050	S.STEEL BOILER COVER EVD/3	
0032	77877051	S.STEEL BOILER COVER EVD/2+DISPLAY	
0033	77877052	S.STEEL BOILER COVER EVD/3+DISPLAY	

Pos	Article number	Description	Characteristic
0034	77877070	S.STEEL BOILER COVER EVD/1 RAISED GROUPS	
0035	77877071	S.STEEL BOILER COVER EVD/2C RAISED GROUPS	
0036	77877072	S.STEEL BOILER COVER EVD/2 RAISED GROUPS	
0037	77877073	S.STEEL BOILER COVER EVD/3 RAISED GR.	
0038	77877074	S.STEEL BOILER COVER EVD/2+DSP RAISED GROUPS	
0039	77877075	AG9-D S.STEEL BOILER COVER EVD/3+DSP RAISED GROUPS	
0040	77877103	BOILER COVER 1G	
0041	77877104	BOILER COVER 2GR	
0042	77877105	BOILER COVER 3GR	
0043	77877106	BOILER COVER 2GR DISPLAY	
0044	77877107	BOILER COVER 3GR DISPLAY	
0045	29066071	ADHESIVE LABEL EMA/EPU	
0046	29066076	ADHESIVE LABEL 0/1+SCTZ+LEVEL	
0047	29066073	ADHESIVE LABEL EMA/EPU 1GR	
0048	29066077	ADHESIVE LABEL SCTZ+LEVEL	
0049	21026003	LED D-5 BLUE	
0050	77877113	COPRICLD 1GR EPU/EVD POLARIS14 GR RI+SLIV INOX/LUC REVABS	
0051	77877114	COPRICLD 2GR EPU/EVD POLARIS14 GR RI+SLIV INOX/LUC REVABS	
0052	77877115	COPRICLD 3GR EPU/EVD POLARIS14 GR RI+SLIV INOX/LUC REVABS	
0053	77877116	S.STEEL BOILER COVER 2GR+DSP RAISED GROUPS	
0054	77877117	S.STEEL BOILER COVER 3GR+DSP RAISED GROUPS	
0055	15372993	GROUP CHROMED COVER	
0056	15372989	RAISED GROUPS COVER	
0057	77602011	S.STEEL SOLENOID VALVE COVER	
0058	21202	LEVEL INDICATOR	
0059	15373070	CHROMED CAP	
0060	22626001	CABLE LED	

Pulsantiera - Push buttons - Claviers - Bedienblenden

PR14-11U rev. 02  
09/2024





Pos	Article number	Description	Characteristic
0001	15183030	EPDM PROTECTION FRAME PUSHBUTTON	
0002	15373140	SPACER	
0003	15373077	CHROMED BUTTON	
0004	18371131	PRINTED CIRCUIT PUSH BUTTON 5T	
0005	15373120	BOX PUSH BUTTON	
0006	18371078	DISPLAY SAE 99.0 X 24.0	
0007	77693026	DISPLAY PROT. INOX	
0008	15373078	OVAL KEY MECHANICAL TOUCHPADS	
0009	15373141	SPACER POLARIS14	
0010	77595000	KEY SUPPORT	
0011	18371296	TWO POLE SWITCH	
0012	18371298	SINGLE POLE PUSHBUTTON	
0013	23023003	NUT M3 S.STEEL	
0014	83180083R	CS TOUCHPAD KIT	

Lancia - Tube - Tuyau - Rohr

ACQUA - WATER - EAU - WASSER

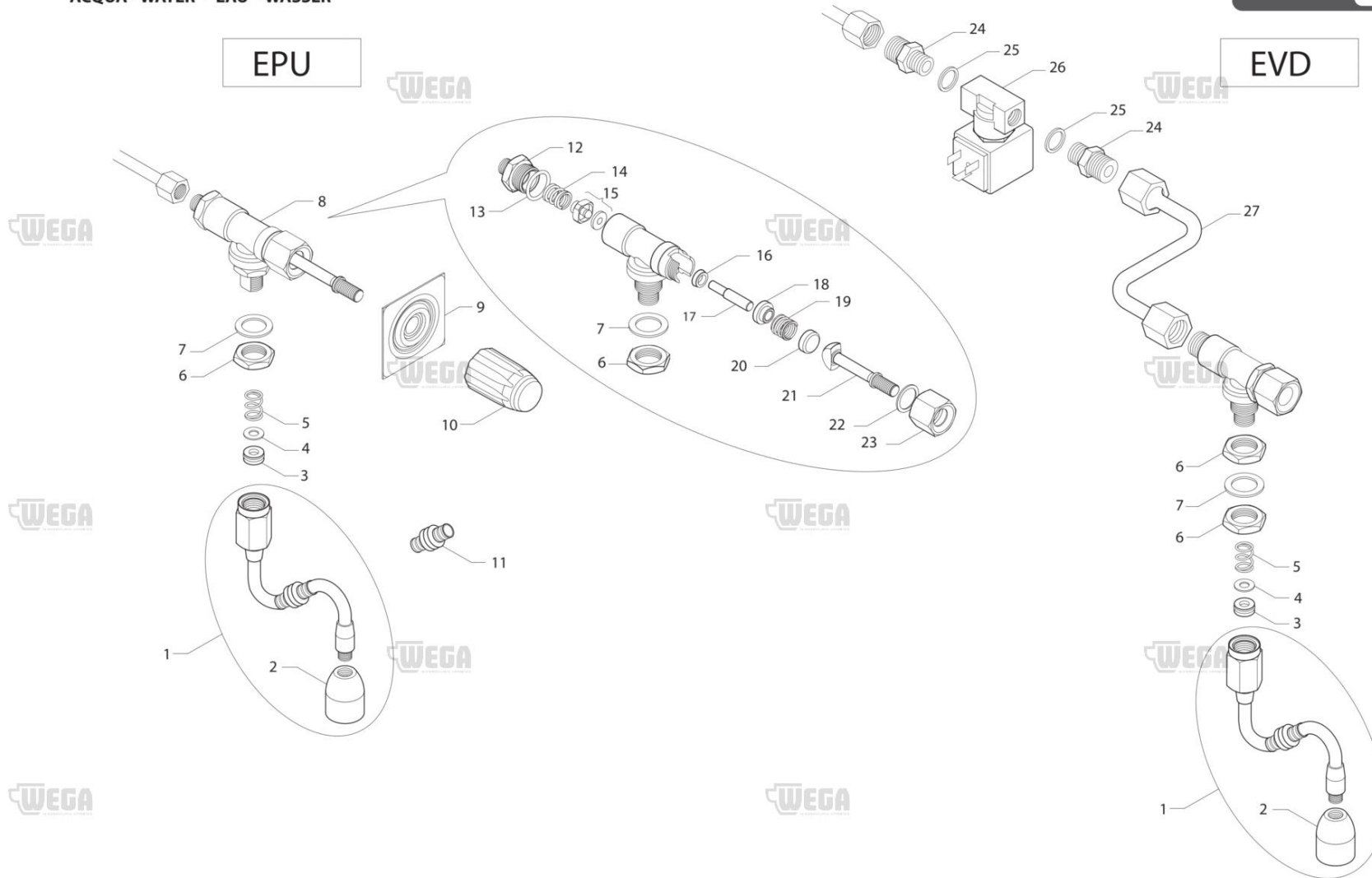


**PR14-21U**

rev. **07**  
06/2025

**EPU**

**EVD**



**POLARIS 14 USA**



- 19 -

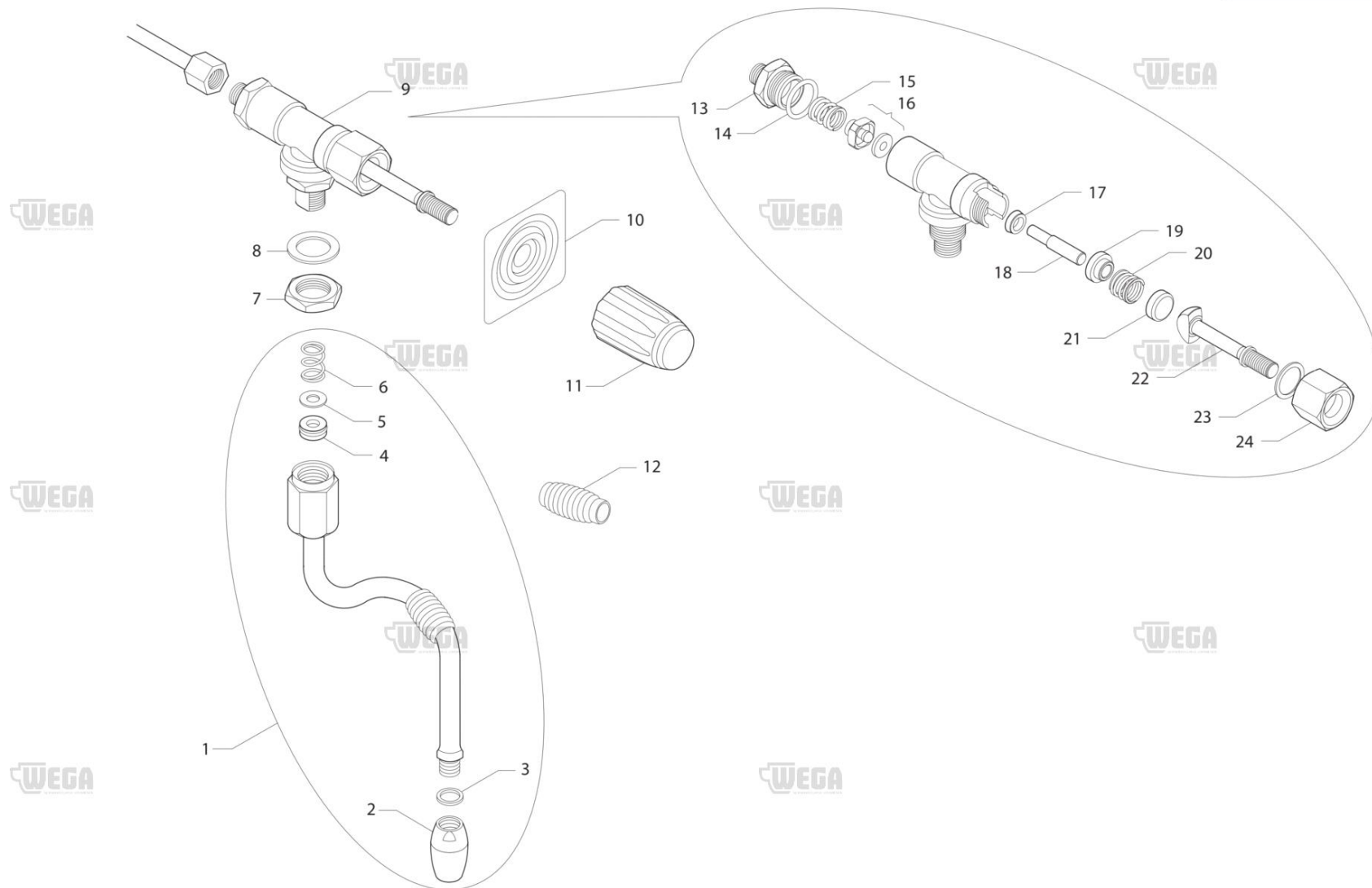


Pos	Article number	Description	Characteristic
0001	4656119170	ASS.WATER TUBE	FOOD
0002	4625763054	WATER NOZZLE	
0003	12661	OR REST FOR ST.STEEL STEAM PIPE 10 PCS	FOOD
0004	23260018	WASHER D-14,2	FOOD
0005	10465001	STEAM SPRING S.STEEL	FOOD
0006	25384004	BRASS NUT -12-	
0007	23292005	GASKET M24	
0008	4920233018	LEVER STEAM TAP	FOOD
0009	15259005	BELLOWS	
0010	15278057	TAP KNOB LEVER	
0011	15296001	ANTI-BURNING RUBBER D10	
0012	4925678050	CONNECTOR 1/4M	FOOD
0013	12204050	GASKET OR	FOOD
0014	10452051	SPRING	FOOD
0015	4925616054	PISTON KIT + GASKET	FOOD
0016	12204052	GASKET	FOOD
0017	25385052	PIN	FOOD
0018	15191050	GUIDE TEFLON	
0019	10452050	SPRING	
0020	25385051	HOOD SPRING SEAT	
0021	25309050	TAF SHAFT	
0022	25655050	BUSHEL	
0023	25385050	NUT	
0024	4625707	Connector 1/8x1/4_4925707	FOOD
0025	12153003	GU CU 1/4 SP.2 1GLE200233 12153003	FOOD
0026	4918162004	SOL.VALVE WATER REFILL 220/240 50/60HZ	
0027	4652003246	TUBE D-8 L.390	FOOD

Lancia - Tube - Tuyau - Rohr

VAPORE - STEAM - VAPEUR - DAMPF

PR14-22U rev. 07  
06/2025



**POLARIS 14 USA**

- 21 -

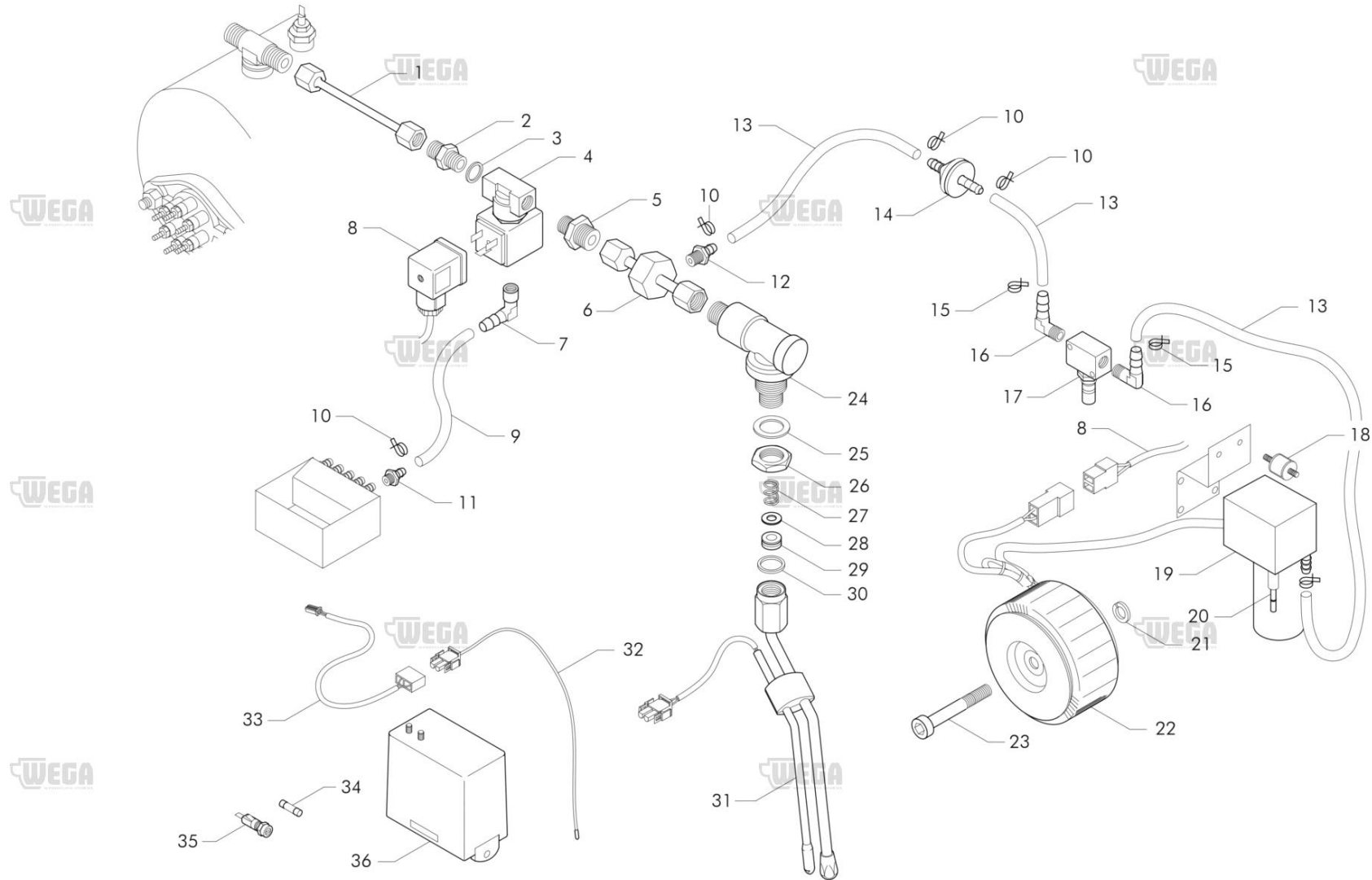
Pos	Article number	Description	Characteristic
0001	25763172	ASS. STEAM TAP INOX	FOOD
0002	25763070	STEAM SPRAYER INOX FOR PIPE	FOOD
0003	12662	ALUM.SEAL FOR ST.STEEL STEAM	FOOD
0004	12661	OR REST FOR ST.STEEL STEAM PIPE 10 PCS	FOOD
0005	23260018	WASHER D-14,2	FOOD
0006	10465001	STEAM SPRING S.STEEL	FOOD
0007	25384004	BRASS NUT -12-	
0008	23292005	GASKET M24	
0009	4920233018	LEVER STEAM TAP	FOOD
0010	15259005	BELLOWS	
0011	15278057	TAP KNOB LEVER	
0012	15296001	ANTI-BURNING RUBBER D10	
0013	4925678050	CONNECTOR 1/4M	FOOD
0014	12204050	GASKET OR	FOOD
0015	10452051	SPRING	FOOD
0016	4925616054	PISTON KIT + GASKET	FOOD
0017	12204052	GASKET	FOOD
0018	25385052	PIN	FOOD
0019	15191050	GUIDE TEFLON	
0020	10452050	SPRING	
0021	25385051	HOOD SPRING SEAT	
0022	25309050	TAF SHAFT	
0023	25655050	BUSHEL	
0024	25385050	NUT	

Lancia - Tube - Tuyau - Rohr

AUTOSTEAMER

PR14-23U

rev. 05  
10/2025



POLARIS 14 USA

- 23 -

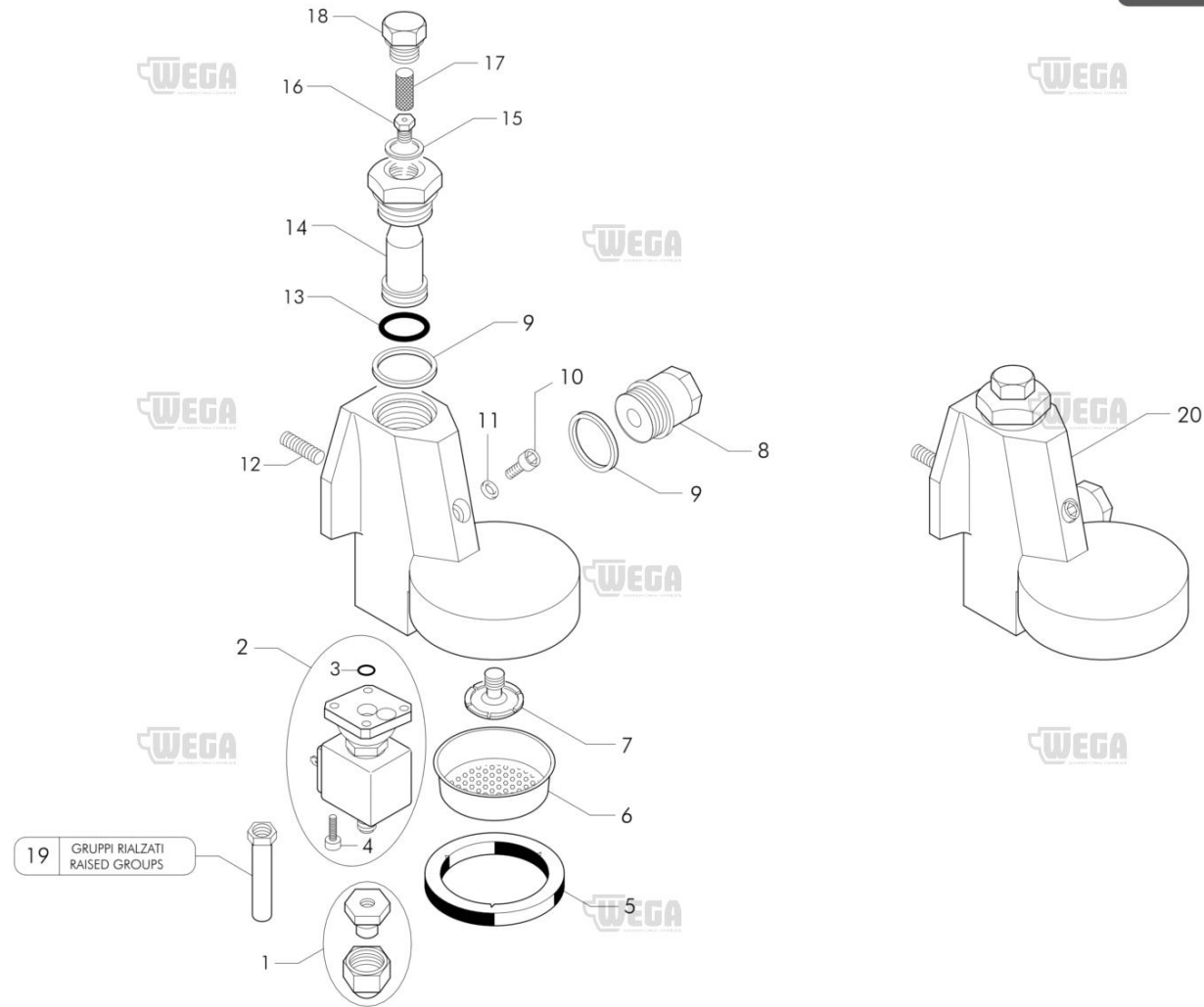
Pos	Article number	Description	Characteristic
0001	4652003249	TUBE D-8 L.185	FOOD
0002	4925686	CONNECTOR 1/4Mx1/4M	FOOD
0003	12153003	GU CU 1/4 SP.2 1GLE200233 12153003	FOOD
0004	4618160062S	AUTOSTEAM SOL. 3 WAY 220-230V/	FOOD
0005	4925716	>3/8x1/4 FITTING	FOOD
0006	25763155	INTERFACE STEAM SOLENOID VALVE-TAP BODY	FOOD
0007	4823228023	ELBOW CONNECTOR 1/8F D-8	
0008	22716028	AUTOSTEAMER CABLE	
0009	15477014	SILICON TUBE 7x11	FOOD
0010	15056000	CLAMP D.7,8-8,3	
0011	23221006	HOSE CONNECTION 1/8M	
0012	23221002	HOSE CONNECTION ES14 Cr	FOOD
0013	15477012	SILICONE TUBE 3X7	FOOD
0014	20358006	CHECK VALVE	
0015	15056001	>CLAMP D.8,8-9,3	
0016	4623216	CONICAL ELBOW CONNECTOR 1/8	FOOD
0017	30499	>AIR REGULATOR	
0018	15105	RUBBER FOR MOTOR	
0019	26319010	P1-D MICROPUMP 24VDC	
0020	25789321	GIGLEUR 0,5	FOOD
0021	23272	STAINLESS WASHER GROVER D5	
0022	18563006	TRANSFORMATOR 20VA 0-230V 24V	
0023	23566	STEEL SCREW TCEI 5x35 UNI 5931 DIN912	
0024	4920233020	TAP AUTOSTEAMER	FOOD
0025	23292005	GASKET M24	
0026	25384004	BRASS NUT -12-	
0027	10452	WATER/STEAM TAP SPRING N4	FOOD
0028	15191000	TEFLON BUSHEL FOR STEAM PIPE NUT	FOOD
0029	12661	OR REST FOR ST.STEEL STEAM PIPE 10 PCS	FOOD
0030	4925657	STEAM SPRING WASHER	FOOD
0031	4725763374	KIT AUTOSTEAMER	FOOD
0032	20306001	TEMPERATURE PROBE FOR AUTOSTEAMER	
0033	22715828	CABLE PROBE AUTOMATIC STEAMER	

Pos	Article number	Description	Characteristic
0034	19109001	FUSE 1A/F CSA/UL 6.3x32mm	
0035	19123	FUSE HOLDER 15A	
0036	18080006	GEAR PUMP CONTROL	



Gruppo - Group - Groupe - Gruppe

PR14-31U rev. 04  
09/2024

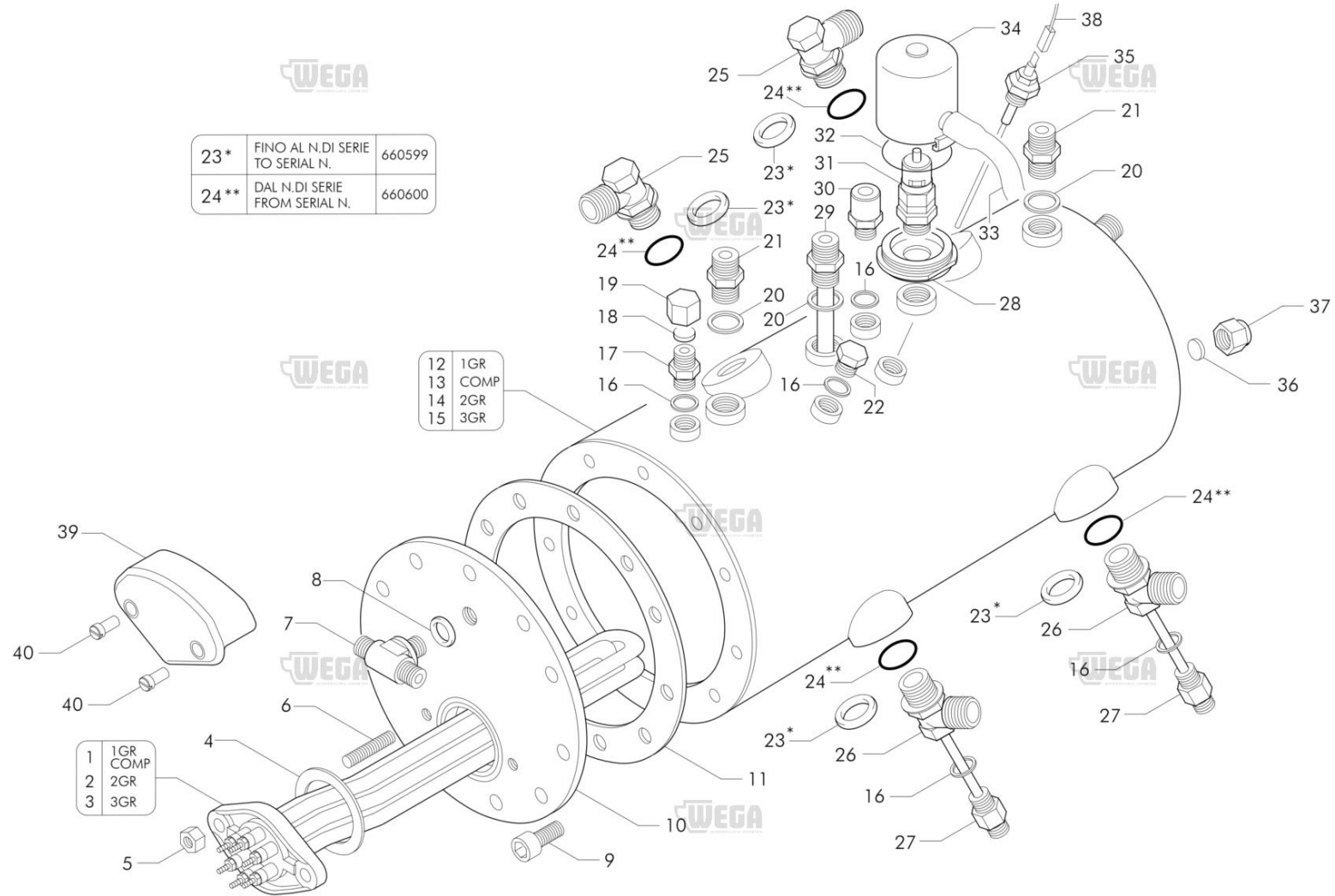


POLARIS 14 USA

- 25 -

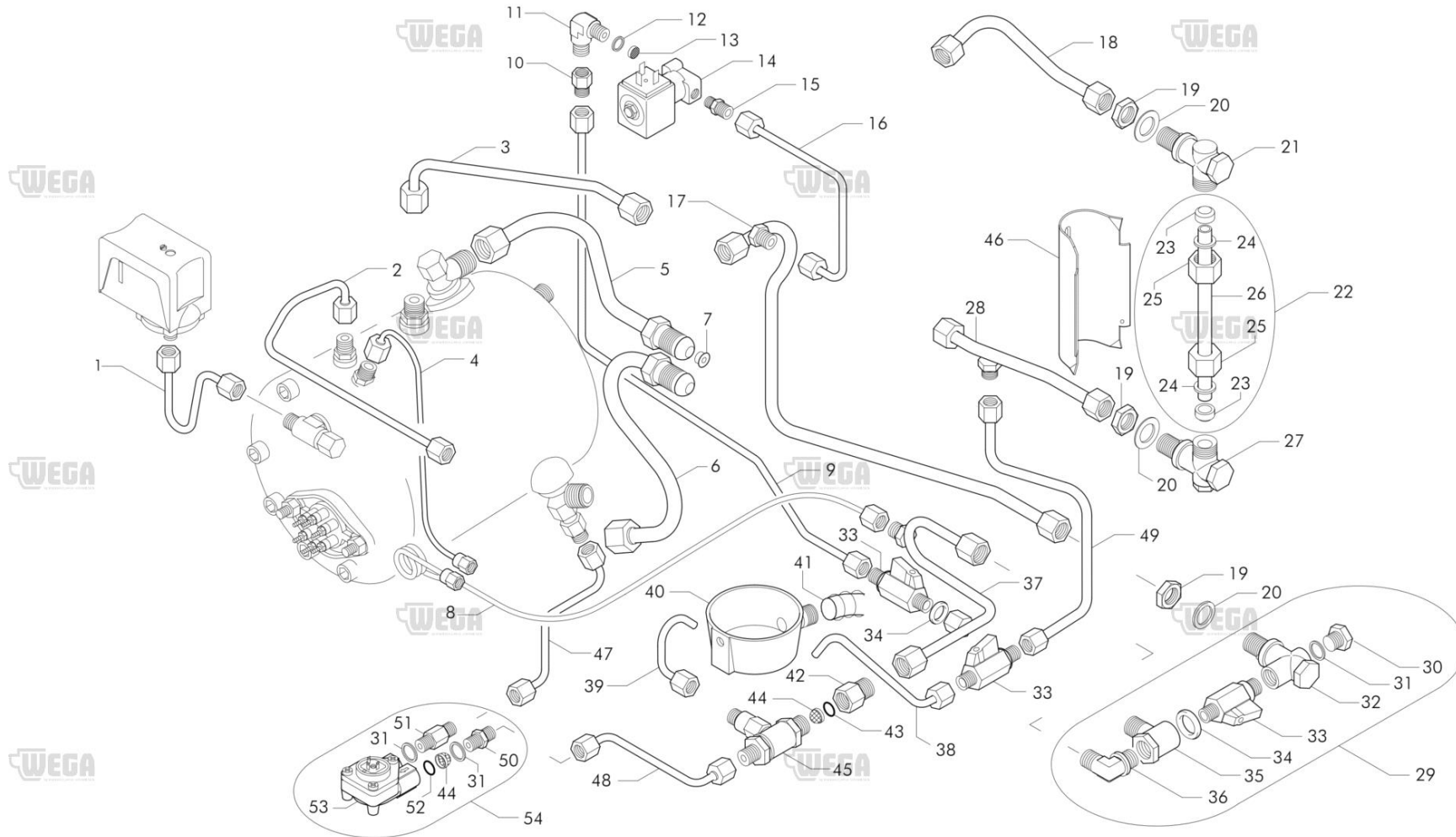
Pos	Article number	Description	Characteristic
0001	23055	SPOUT-CUTTING NUT	
0002	834718181015R	GROUP SOLENOID VALVE 110-120V KIT	FOOD
0002	834918151R	GROUP SOLENOID VALVE 230V KIT	
0003	12305	O RING	FOOD
0004	23551	STEEL SCREW TCCE 4x12	
0005	12227	GROUP UNDERCUP SEAL 73.5X57.5X8 10 PCS	FOOD
0005	12228	GROUP UNDERCUP SEAL 73.5x57.8x8.5 10 PCS	FOOD
0006	27104	>S.STEEL GROUP SHOWER 10 PCS	FOOD
0007	4927105	DIFFUSER PLATE	FOOD
0008	4927120	DISTRIBUTION GROUP CAP CW510L	FOOD
0009	12023	TEFLON GASKET	FOOD
0010	23558	>STEEL SCREW TCCE 6x8	
0011	12103	COPPER RING GASKET 8X5X2	FOOD
0012	10405004	GRUB SCREW M8x25 STEEL	
0013	12024	VITON O RING GASKET	FOOD
0014	4927119	DISTRIBUTION GROUP CW510L	FOOD
0015	12025	TEFLON GASKET	FOOD
0016	4910300C	BRASS GIGLER D-0.7	FOOD
0017	10253	GIGLER FILTER	FOOD
0018	4927118	JET CAP	FOOD
0019	52000195	TUBE D-12 L.48	
0020	4926102010	DISTRIBUTION GROUP	FOOD

23*	FINO AL N. DI SERIE TO SERIAL N.	660599
24**	DAL N. DI SERIE FROM SERIAL N.	660600



Pos	Article number	Description	Characteristic
0001	4617001	>HEATING ELEMENT 1GR 110V-2000W	FOOD
0001	4617012	HEATING ELEM. 1GR 230/240V 2700/2940W	FOOD
0002	4617050	HEATING ELEM. 2GR 4P 120V 2600W	FOOD
0002	4617059	>HEATING ELEM. 2GR 220/240V 3400/3700W	FOOD
0003	4617107	>HEATING ELEM. 3GR 220/240V 5000/5440	FOOD
0004	12001	TEFLON GASKET 58x43x2 10 PCS	FOOD
0005	23049	BRASS NUT M8	
0006	23133	STAINLESS STEEL BOLT 8x40	
0007	4943060003	'T' CONNECTOR 1/4x1/4x1/4	FOOD
0008	23556	STEEL SCREW TCCE 10X20	
0010	12003	BOILER GASKET	FOOD
0010	4853011	FLANGE	FOOD
0011	4962050001B	BOILER 1GR	FOOD
0012	4962099003B	BOILER 2GR	FOOD
0014	4962802700B	BOILER 3GR	FOOD
0015	12153003	GU CU 1/4 SP.2 1GLE200233 12153003	FOOD
0016	4925686	CONNECTOR 1/4Mx1/4M	FOOD
0017	12007002	GASKET COPPER 11x3	FOOD
0018	25782	1/4 GAS FEMALE TAP	
0019	12154001	GASKET COPPER 3/8 22x17x2	FOOD
0020	4925687	>3/8x3/8 FITTING	FOOD
0021	4925780	>BRASS MALE CAP 1/4	FOOD
0022	12105	>CU GASKET 1/2 GAS	FOOD
0023	12300093	O RING GASKET BLACK	FOOD
0024	4923214001	ROTARY COUPLING -L- 1/2	FOOD
0025	4923215001	ROTARY COUPLING -T- 1/2	FOOD
0026	4952002788	TUBE D-6 L85	FOOD
0027	15006001	FLANGE VALVE	
0028	4952001612	TUBE D-10 L.115	FOOD
0029	4756150101	VACUUM BREAKER VALVE DDVGVANT2	FOOD
0030	4620352004	*CE* SAFETY VALVE	FOOD
0031	12300000	GASKET O RING	FOOD
0032	15478002	SILICONE TUBE 8x11 L.70cm	

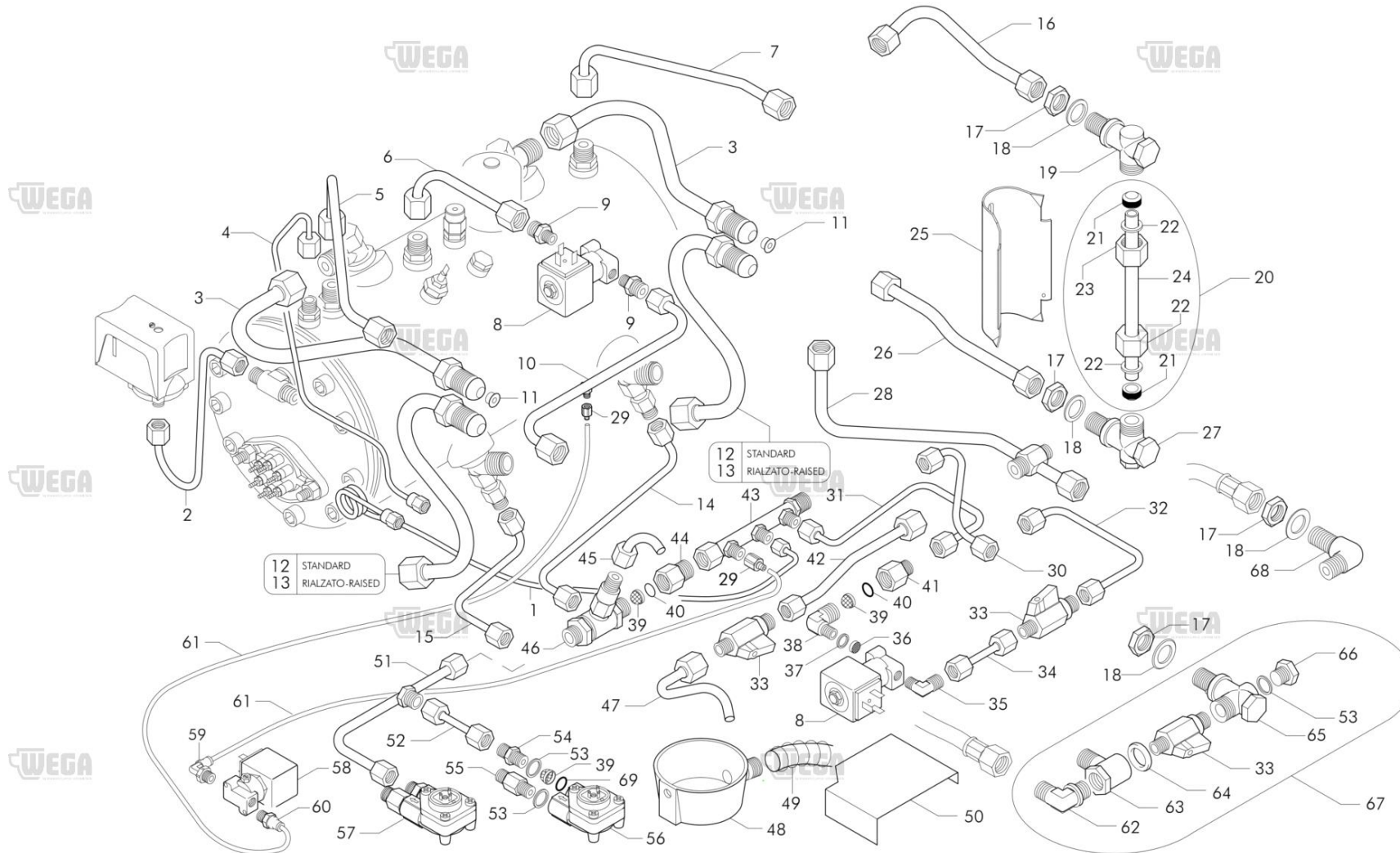
Pos	Article number	Description	Characteristic
0033	56009980	UNIT PROTECTION VALVE	
0034	4620251	LEVEL PROBE	FOOD
0035	12402002	GASKET COPPER 15X3	FOOD
0036	25781	FEMALE CAP 3/8	FOOD
0037	22715900	CABLE PROBE-BOILER	
0038	15514111	HEATING ELEMENT COVER	
0039	15514113	BUSHING	



Pos	Article number	Description	Characteristic
0001	4952002886	TUBE D-6 L.215	FOOD
0002	4652003261	TUBE D-8 L.280	FOOD
0003	4952003260	TUBE D-8 L.355	FOOD
0004	4652001433	TUBE D-4 L.310	FOOD
0005	4952002707	TUBE D-12 L.310	FOOD
0006	4952002893	TUBE D-12 L.255	FOOD
0007	4923293	>REDUCED CONNECTOR OF GROUP D4	FOOD
0007	4923293000	REDUCED CONNECTOR OF GROUP D2.5	FOOD
0008	4652003050	TUBE D-2 L.500	FOOD
0009	4652003303	TUBE D-6 L.600	FOOD
0010	4925705	CONNECTOR 3/8X1/4	FOOD
0011	4823217	FITTING D10 3/8x1/8 AWI F 1.2	FOOD
0012	12155	COPPER GASKET 8.5X5X1	FOOD
0013	10251001	STEEL FILTER D-8 - 0.3 THICK	FOOD
0014	4918162005	SOLENOID VALVE WATER REFILL 220/240 50/60HZ VDE	FOOD
0014	4918195	SOL.VALVE WATER REFILL 110/120V 50/60HZ NSF	FOOD
0015	4925707	CONNECTOR 1/8x1/4	FOOD
0016	4652002831	TUBE D-6 L.210	FOOD
0017	4952002535	TUBE D-10 L.450	FOOD
0018	4952002700	TUBE D-10 L.185	FOOD
0019	25356	BRASS LOCK NUT 3/8	
0020	25651	BRASS WASHER 3/8	
0021	4953002	UPPER LEVEL BODY	FOOD
0022	56001	>LEVEL TUBE UNIT	FOOD
0023	12200	GASKET 16X10X8	FOOD
0024	25652	BRASS WASHER D.17.8	
0025	25383	>BRASS NUT 20X1.5	
0026	21300	GLASS LEVEL TUBE 11X8X170	FOOD
0027	4956005	LOWER LEVEL BODY UNIT	FOOD
0028	4952003262	TUBE D-10 L.100	FOOD
0029	4656134001	UNIT PUMP	FOOD
0030	4925780	>BRASS MALE CAP 1/4	FOOD
0031	12153003	GU CU 1/4 SP.2 1GLE200233 12153003	FOOD

Pos	Article number	Description	Characteristic
0032	53001001	LOWER LEVEL CONNECTOR	
0033	4620354001	TAP L.40	FOOD
0034	12100	CU GASKET 1/4 18.7X13.2X2.5	FOOD
0035	4943030001	>3/8Fx3/8Mx14F INJECTOR FITTING	FOOD
0036	4943052	>CONNECTOR 'L' 3/8	FOOD
0037	4652003319	TUBE D-8 L.235 CW 3/A	FOOD
0038	4652001351	>TUBE D-6 L.170	FOOD
0039	4652001350	TUBE D-6 L.105	FOOD
0040	15502	ROUND DRAIN BASIN D.80mm	
0041	15470	PVC PIPE DIAM. Ø16 MM (1MT) DGDTGUA03	
0042	4625732100	FITTING 3/8Mx3/8F	FOOD
0043	12312	>O RING	FOOD
0044	10254	STEEL FILTER 160-200 MESH	FOOD
0045	4620361003	ADJUSTABLE S.C.N.R. VALVE	FOOD
0046	44002	>LEVEL INDICATOR COVER PAINTED WHITE	
0047	4652003000	TUBE D-6 L.230	FOOD
0048	4652003243	TUBE D-6 L.175	FOOD
0049	4652003231	TUBE D-8 L.440	FOOD
0050	4925686	CONNECTOR 1/4Mx1/4M	FOOD
0051	4925708	1/4 X 1/4 FITTING	FOOD
0052	12329	GASKET OR HNBR 7.66xW1.78	FOOD
0053	4918126010	FLOWMETER DOSER	FOOD
0054	4956122060	DOSER KIT	FOOD

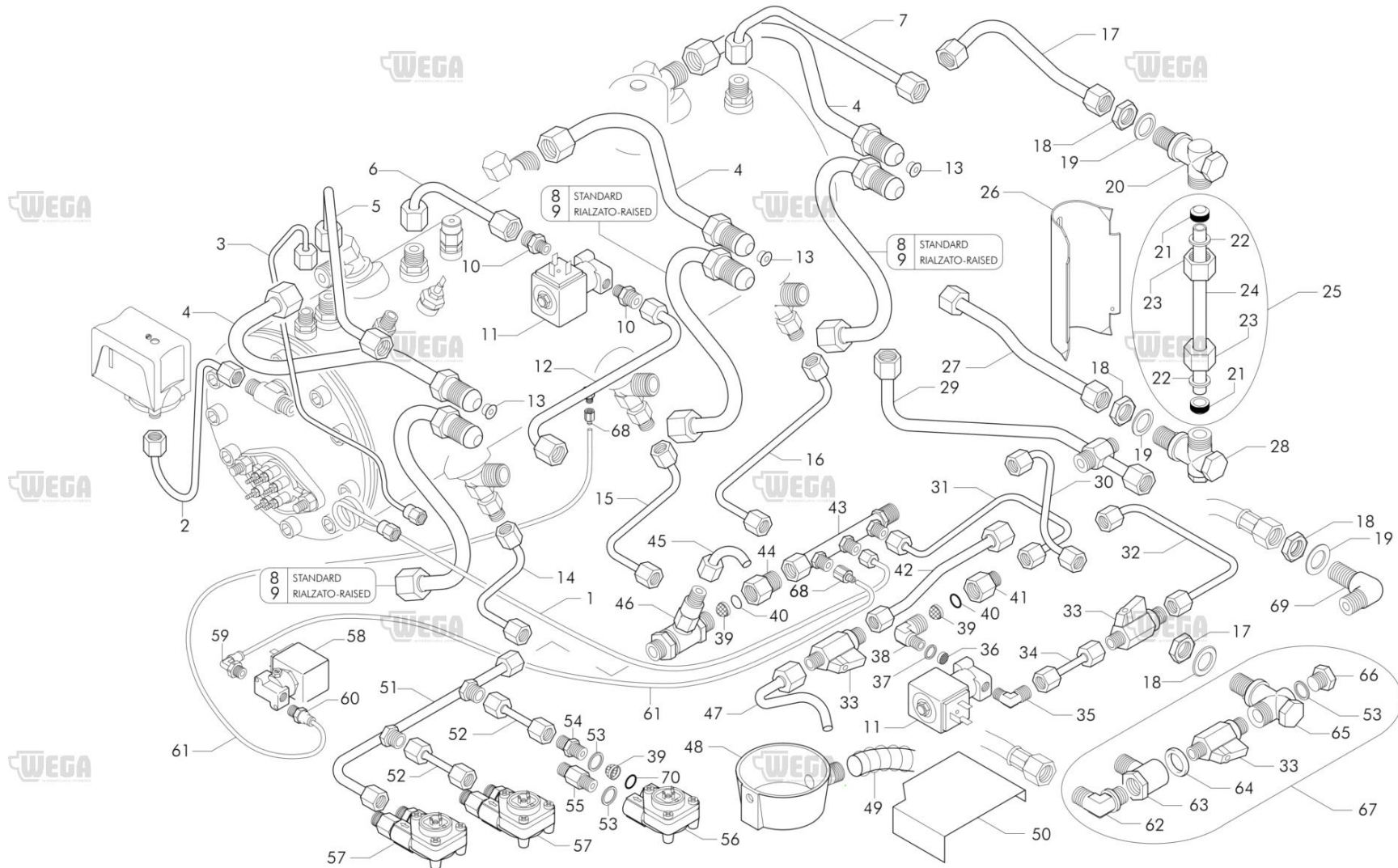




Pos	Article number	Description	Characteristic
0001	4652000110	>TUBE D-4 L.730	FOOD
0002	4952003248	TUBE D-6 L.105	FOOD
0003	4952002708	TUBE D-12 L.295 + REDUCED CONNECTOR OF GROUP D4	FOOD
0004	4652001437	TUBE D-4 L. 435	FOOD
0005	4952003245	TUBE D-8 L.285	FOOD
0006	4952003029	TUBE D-8 L.205	FOOD
0007	4952003244	TUBE D-8 L.285	FOOD
0009	4925707	CONNECTOR 1/8x1/4	FOOD
0010	4952003246	TUBE D-8 L.390	FOOD
0011	4923293000	REDUCED CONNECTOR OF GROUP D2.5	FOOD
0012	4952002893	TUBE D-12 L.255	FOOD
0013	4952002979	TUBE D-12 L.275	FOOD
0014	4652003205	TUBE D-6 L.230	FOOD
0015	4652003204	TUBE D-6 L.320	FOOD
0016	4952002700	TUBE D-10 L.185	FOOD
0017	25356	BRASS LOCK NUT 3/8	
0018	25651	BRASS WASHER 3/8	
0019	4953002	UPPER LEVEL BODY	FOOD
0020	56001	>LEVEL TUBE UNIT	FOOD
0021	12200	GASKET 16X10X8	FOOD
0022	25652	BRASS WASHER D.17.8	
0023	25383	>BRASS NUT 20X1.5	
0024	21300	GLASS LEVEL TUBE 11X8X170	FOOD
0025	44002	>LEVEL INDICATOR COVER PAINTED WHITE	
0026	4952003232	TUBE D-10 L.110	FOOD
0027	4956005	LOWER LEVEL BODY UNIT	FOOD
0028	4952003212	TUBE D-10 L.320	FOOD
0029	23229052	CONNECTOR 1/4F D-4	FOOD
0030	4652003223	TUBE D-8 L.165	FOOD
0031	4652003202	TUBE D-6 L.125	FOOD
0032	4652001589	TUBE D-6 L.275	FOOD
0033	4620354001	TAP L.40	FOOD
0034	4652001590	TUBE D-6 L.28	FOOD

Pos	Article number	Description	Characteristic
0035	4923201	ELBOW BRASS CONNECTOR D6.2 1/4M 1/8M CW510LTEA	FOOD
0036	10251001	STEEL FILTER D-8 - 0.3 THICK	FOOD
0037	12155	COPPER GASKET 8.5X5X1	FOOD
0038	4823217	FITTING D10 3/8x1/8 AWI F 1.2	FOOD
0039	10254	STEEL FILTER 160-200 MESH	FOOD
0040	12312	>O RING	FOOD
0041	4925705	CONNECTOR 3/8X1/4	FOOD
0042	4652000361	TUBE D-8 L.135	FOOD
0043	4656136004	ASS. DISTRIBUTION BLOCK	FOOD
0044	4625732100	FITTING 3/8Mx3/8F	FOOD
0045	4652002898	TUBE D-6 L.50	
0046	4620361003	ADJUSTABLE S.C.N.R. VALVE	FOOD
0047	4652001979	TUBE D-6 L.100	
0048	15502	ROUND DRAIN BASIN D.80mm	
0049	15470	PVC PIPE DIAM. Ø16 MM (1MT) DGDTGUA03	
0050	77604	>AEA SOLENOID VALVE COVER	
0051	4652001980	TUBE D-6 L.215	FOOD
0052	4652000202	TUBE D-6 L.65	FOOD
0053	12153003	GU CU 1/4 SP.2 1GLE200233 12153003	FOOD
0054	4925686	CONNECTOR 1/4Mx1/4M	FOOD
0055	4925708	1/4 X 1/4 FITTING	FOOD
0056	4918126010	FLOWMETER DOSER	FOOD
0057	4956122060	DOSER KIT	FOOD
0058	4918161701	OL.VALVE 220-240V/50-60Hz	FOOD
0059	23229107	CONNECTOR -L- 1/8M D-4	FOOD
0060	23229004	CONNECTOR 1/8M D-4	FOOD
0061	15452001	TUBE D-2,5x4 FEP	FOOD
0062	4943052	>CONNECTOR 'L' 3/8	FOOD
0063	4943030001	>3/8Fx3/8Mx14F INJECTOR FITTING	FOOD
0064	12100	CU GASKET 1/4 18.7X13.2X2.5	FOOD
0065	53001001	LOWER LEVEL CONNECTOR	
0066	4925780	>BRASS MALE CAP 1/4	FOOD
0067	4656134001	UNIT PUMP	FOOD

Pos	Article number	Description	Characteristic
0068	4643067001	FITTING -L- 3/8Mx3/8F	FOOD
0069	12329	GASKET OR HNBR 7.66xW1.78	FOOD

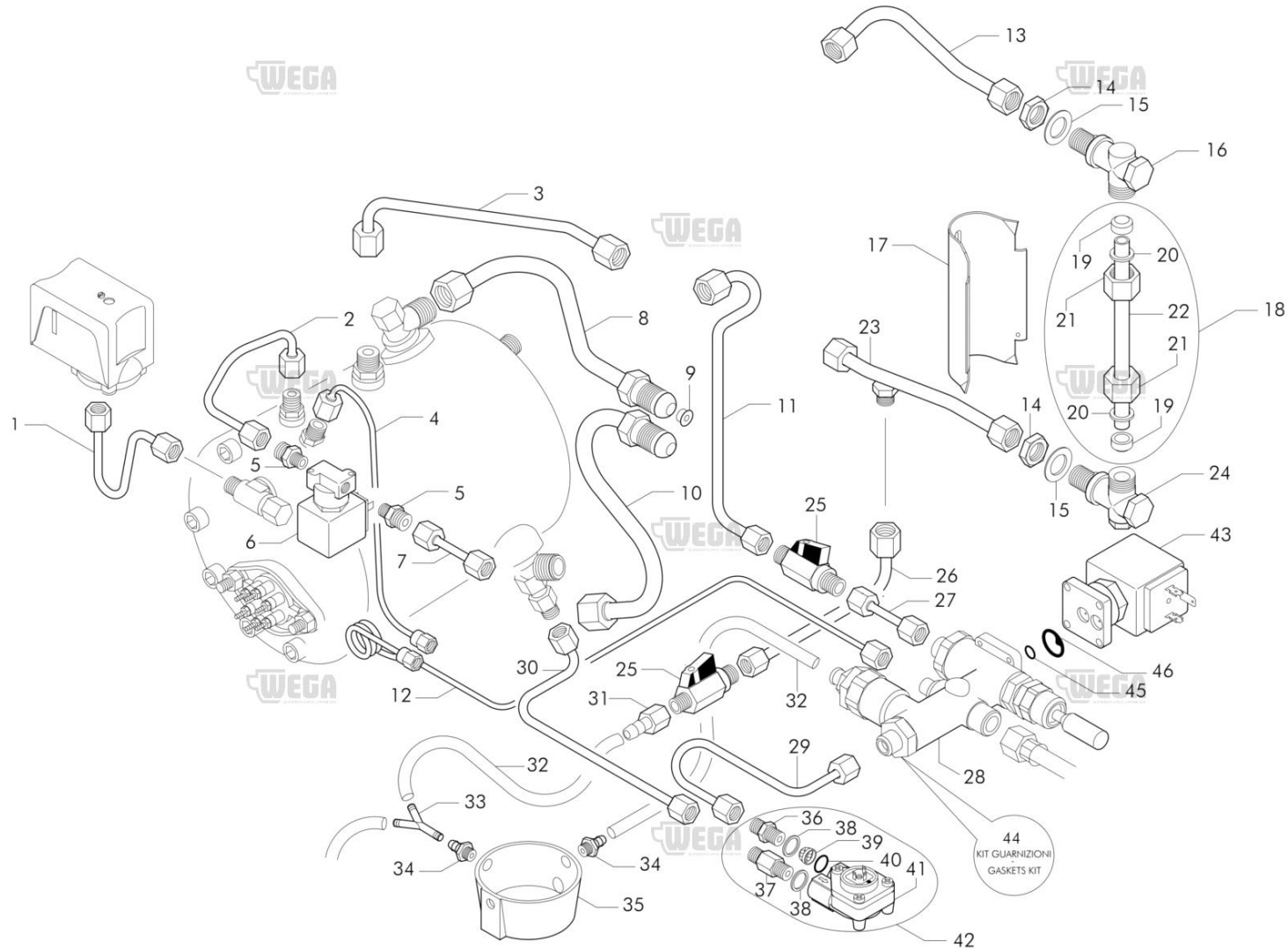


Pos	Article number	Description	Characteristic
0001	4652000110	>TUBE D-4 L.730	FOOD
0002	4952003248	TUBE D-6 L.105	FOOD
0003	4652001437	TUBE D-4 L. 435	FOOD
0004	4952002708	TUBE D-12 L.295 + REDUCED CONNECTOR OF GROUP D4	FOOD
0005	4952003245	TUBE D-8 L.285	FOOD
0006	4952003029	TUBE D-8 L.205	FOOD
0007	4952003244	TUBE D-8 L.285	FOOD
0008	4952002893	TUBE D-12 L.255	FOOD
0009	4952002979	TUBE D-12 L.275	FOOD
0010	4925707	CONNECTOR 1/8x1/4	FOOD
0011	4918162005	SOLENOID VALVE WATER REFILL 220/240 50/60HZ VDE	FOOD
0011	4918195	SOL.VALVE WATER REFILL 110/120V 50/60HZ NSF	FOOD
0012	4952003246	TUBE D-8 L.390	FOOD
0013	4923293000	REDUCED CONNECTOR OF GROUP D2.5	FOOD
0014	4652003204	TUBE D-6 L.320	FOOD
0015	4652003205	TUBE D-6 L.230	FOOD
0016	4652003206	TUBE D-6 L.475	FOOD
0017	4952002700	TUBE D-10 L.185	FOOD
0018	25356	BRASS LOCK NUT 3/8	
0019	25651	BRASS WASHER 3/8	
0020	4953002	UPPER LEVEL BODY	FOOD
0021	12200	GASKET 16X10X8	FOOD
0022	25652	BRASS WASHER D.17.8	
0023	25383	>BRASS NUT 20X1.5	
0024	21300	GLASS LEVEL TUBE 11X8X170	FOOD
0025	56001	>LEVEL TUBE UNIT	FOOD
0026	44002	>LEVEL INDICATOR COVER PAINTED WHITE	
0027	4952003232	TUBE D-10 L.110	FOOD
0028	4956005	LOWER LEVEL BODY UNIT	FOOD
0029	4952003212	TUBE D-10 L.320	FOOD
0030	4652003223	TUBE D-8 L.165	FOOD
0031	4652003202	TUBE D-6 L.125	FOOD
0032	4652001589	TUBE D-6 L.275	FOOD

Pos	Article number	Description	Characteristic
0033	4620354001	TAP L.40	FOOD
0034	4652001590	TUBE D-6 L.28	FOOD
0035	4923201	ELBOW BRASS CONNECTOR D6.2 1/4M 1/8M CW510LTEA	FOOD
0036	10251001	STEEL FILTER D-8 - 0.3 THICK	FOOD
0037	12155	COPPER GASKET 8.5X5X1	FOOD
0038	4823217	FITTING D10 3/8x1/8 AWI F 1.2	FOOD
0039	10254	STEEL FILTER 160-200 MESH	FOOD
0040	12312	>O RING	FOOD
0041	4925705	CONNECTOR 3/8X1/4	FOOD
0042	4652000361	TUBE D-8 L.135	FOOD
0043	4656136004	ASS. DISTRIBUTION BLOCK	FOOD
0044	4625732100	FITTING 3/8Mx3/8F	FOOD
0045	4652001351	>TUBE D-6 L.170	FOOD
0046	4620361003	ADJUSTABLE S.C.N.R. VALVE	FOOD
0047	4652000362	TUBE D-8 L.255	FOOD
0048	15502	ROUND DRAIN BASIN D.80mm	
0049	15470	PVC PIPE DIAM. Ø16 MM (1MT) DGDTGUA03	
0050	77604	>AEA SOLENOID VALVE COVER	
0051	4652001981	TUBE D-6 L.180 SCNR VALVE > FLOWMETER SX	FOOD
0052	4652000202	TUBE D-6 L.65	FOOD
0053	12153003	GU CU 1/4 SP.2 1GLE200233 12153003	FOOD
0054	4925686	CONNECTOR 1/4Mx1/4M	FOOD
0055	4925708	1/4 X 1/4 FITTING	FOOD
0056	4918126010	FLOWMETER DOSER	FOOD
0057	4956122060	DOSER KIT	FOOD
0058	4918161701	OL.VALVE 220-240V/50-60Hz	FOOD
0059	23229107	CONNECTOR -L- 1/8M D-4	FOOD
0060	23229004	CONNECTOR 1/8M D-4	FOOD
0061	15452001	TUBE D-2,5x4 FEP	FOOD
0062	4943052	>CONNECTOR 'L' 3/8	FOOD
0063	4943030001	>3/8Fx3/8Mx14F INJECTOR FITTING	FOOD
0064	12100	CU GASKET 1/4 18.7X13.2X2.5	FOOD
0065	53001001	LOWER LEVEL CONNECTOR	

Pos	Article number	Description	Characteristic
0066	4925780	>BRASS MALE CAP 1/4	FOOD
0067	4656134001	UNIT PUMP	FOOD
0068	23229052	CONNECTOR 1/4F D-4	FOOD
0069	4643067001	FITTING -L- 3/8Mx3/8F	FOOD
0070	12329	GASKET OR HNBR 7.66xW1.78	FOOD





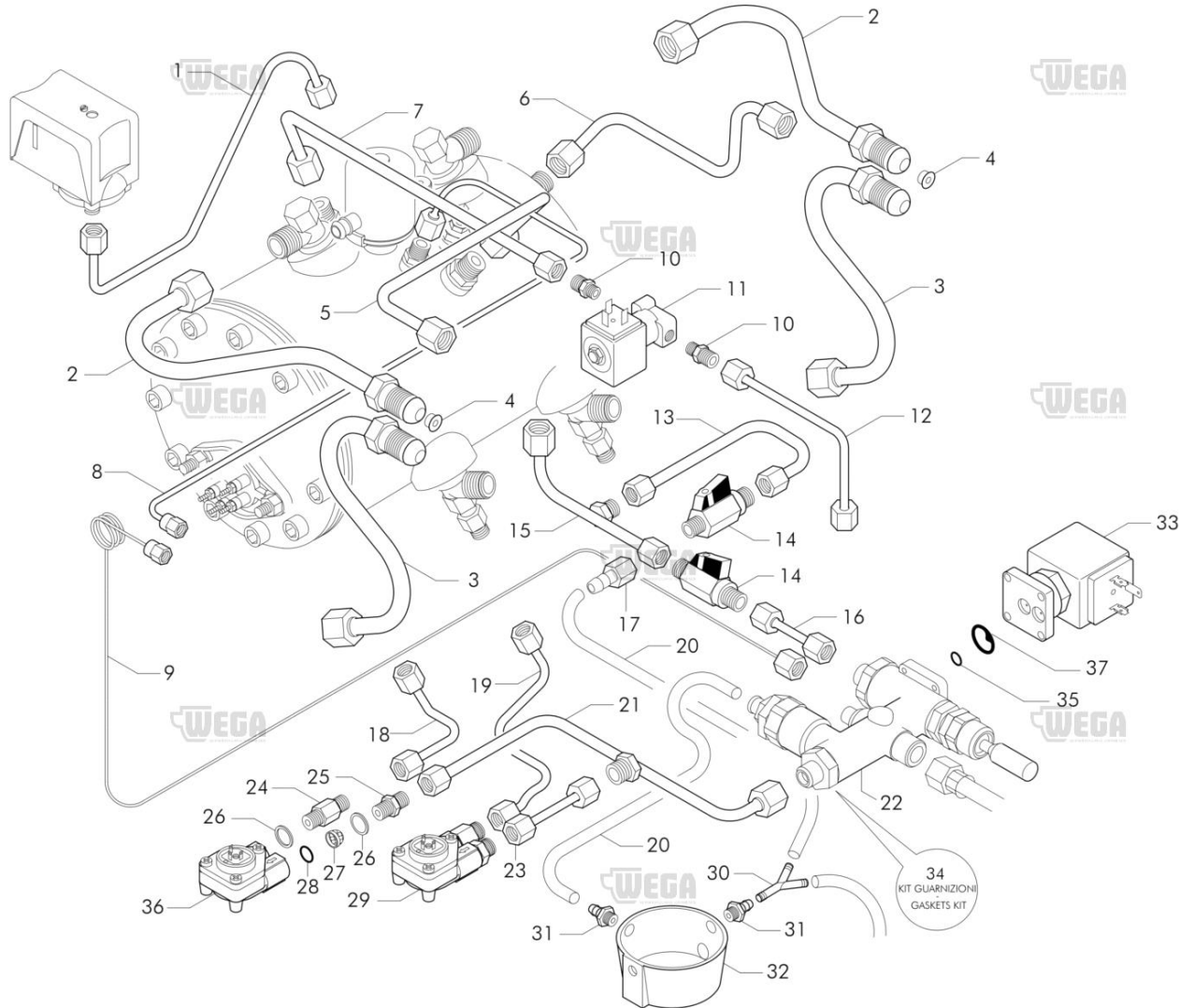
Pos	Article number	Description	Characteristic
0001	4652003265	TUBE D-6 L.155	FOOD
0002	4952003259	TUBE D-6 L.165	FOOD
0003	4952003260	TUBE D-8 L.355	FOOD
0004	4952001433	TUBE D-4 L.310	FOOD
0005	4925707	CONNECTOR 1/8x1/4	FOOD
0006	4918162005	SOLENOID VALVE WATER REFILL 220/240 50/60HZ VDE	FOOD
0006	4918195	SOL.VALVE WATER REFILL 110/120V 50/60HZ NSF	FOOD
0007	4652000202	TUBE D-6 L.65	FOOD
0008	4952002707	TUBE D-12 L.310	FOOD
0009	4923293	>REDUCED CONNECTOR OF GROUP D4	FOOD
0009	4923293000	REDUCED CONNECTOR OF GROUP D2.5	FOOD
0010	4952002893	TUBE D-12 L.255	FOOD
0011	4652003277	TUBE D-8 L.320	FOOD
0012	4652003050	TUBE D-2 L.500	FOOD
0013	4952002700	TUBE D-10 L.185	FOOD
0014	25356	BRASS LOCK NUT 3/8	
0015	25651	BRASS WASHER 3/8	
0016	4953002	UPPER LEVEL BODY	FOOD
0017	44002	>LEVEL INDICATOR COVER PAINTED WHITE	
0018	56001	>LEVEL TUBE UNIT	FOOD
0019	12200	GASKET 16X10X8	FOOD
0020	25652	BRASS WASHER D.17.8	
0021	25383	>BRASS NUT 20X1.5	
0022	21300	GLASS LEVEL TUBE 11X8X170	FOOD
0023	4952003262	TUBE D-10 L.100	FOOD
0024	4956005	LOWER LEVEL BODY UNIT	FOOD
0025	4620354001	TAP L.40	FOOD
0026	4652003266	TUBE D-8 L.265	FOOD
0027	4652001590	TUBE D-6 L.28	FOOD
0028	4661016005	WATER DISTRIBUTION BLOCK	FOOD
0029	4652003280	TUBE D-6 L.215	FOOD
0030	4652003205	TUBE D-6 L.230	FOOD
0031	4823228025	HOSE CONNECTION 1/4F D-8	

Pos	Article number	Description	Characteristic
0032	15477014	SILICON TUBE 7x11	FOOD
0033	15422010	'Y' POLIPROPILENE FITTING	FOOD
0034	23221006	HOSE CONNECTION 1/8M	
0035	15502	ROUND DRAIN BASIN D.80mm	
0036	4925686	CONNECTOR 1/4Mx1/4M	FOOD
0037	4925708	1/4 X 1/4 FITTING	FOOD
0038	12153003	GU CU 1/4 SP.2 1GLE200233 12153003	FOOD
0039	10254	STEEL FILTER 160-200 MESH	FOOD
0040	12329	GASKET OR HNBR 7.66xW1.78	FOOD
0041	4918126010	FLOWMETER DOSER	FOOD
0042	4956122060	DOSER KIT	FOOD
0043	4718159003	SOLENOID VALVE 220/240V 50-60Hz	FOOD
0043	4918181004	SOL.VALVE 2V AEA 110-120V/60 NSF	FOOD
0043	4918181005	EL.2V AEA 208-240/60 2019F1 EL.2V AEA 208-240/60 2019F1	
0044	83120005R	GASKET KIT DISTRIBUTOR	FOOD
0045	12299002	RED GASKET	FOOD
0046	12299001	GASKET	FOOD

Impianti idraulici - Hydraulic circuits - Circuits hydrauliques - Wasser anlage

EVD COMPATTA / fino al seriale 668091 - EVD COMPACT / to serial nr 668091

PR14-5FU rev. 05  
10/2025



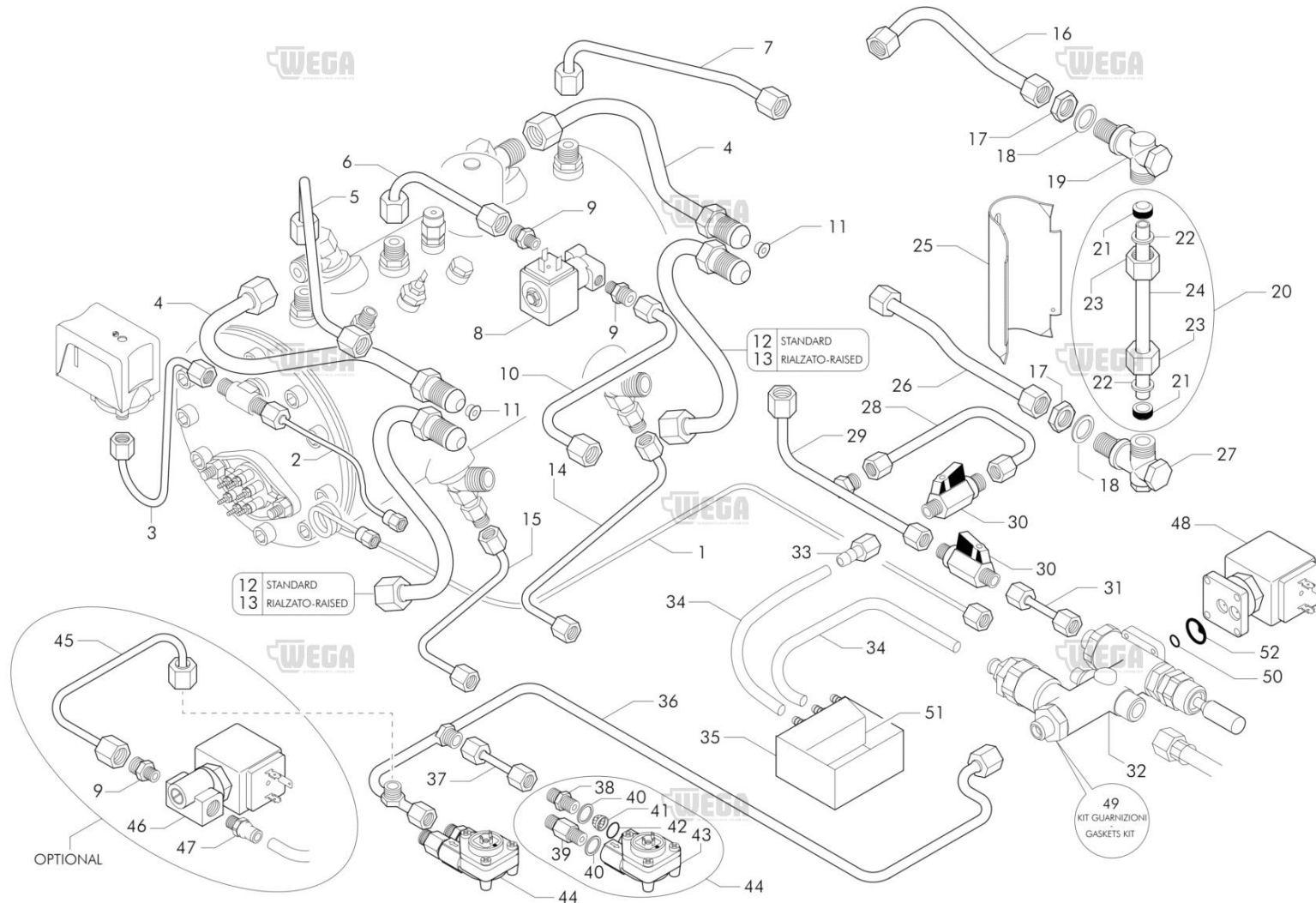
Pos	Article number	Description	Characteristic
0001	4952003320	TUBE D-6 L.400	FOOD
0002	4952002708	TUBE D-12 L.295 + REDUCED CONNECTOR OF GROUP D4	FOOD
0003	4952002893	TUBE D-12 L.255	FOOD
0004	4923293	>REDUCED CONNECTOR OF GROUP D4	FOOD
0004	4923293000	REDUCED CONNECTOR OF GROUP D2.5	FOOD
0005	4952003258	TUBE D-8 L.310	FOOD
0006	4952003257	TUBE D-8 L.270	FOOD
0007	4952003255	TUBE D-6 L.190	FOOD
0008	4652001433	TUBE D-4 L.310	FOOD
0009	4652003050	TUBE D-2 L.500	FOOD
0010	4925707	CONNECTOR 1/8x1/4	FOOD
0011	4918162005	SOLENOID VALVE WATER REFILL 220/240 50/60HZ VDE	FOOD
0011	4918195	SOL.VALVE WATER REFILL 110/120V 50/60HZ NSF	FOOD
0012	4952003256	TUBE D-6 L.85	FOOD
0013	4652003273	TUBE D-8 L.160	FOOD
0014	4620354001	TAP L.40	FOOD
0015	4652003269	TUBE D-8 L.165	FOOD
0016	4652001590	TUBE D-6 L.28	FOOD
0017	4823228025	HOSE CONNECTION 1/4F D-8	
0018	4652003308	TUBE D-6 L.150	FOOD
0019	4652003307	TUBE D-6 L.300	FOOD
0020	15477014	SILICON TUBE 7x11	FOOD
0021	4652003272	TUBE D-6 L.200	FOOD
0022	4661016005	WATER DISTRIBUTION BLOCK	FOOD
0023	4652001428	TUBE D-6 L.50	FOOD
0024	4925708	1/4 X 1/4 FITTING	FOOD
0025	4925686	CONNECTOR 1/4Mx1/4M	FOOD
0026	25383	>BRASS NUT 20X1.5	
0027	10254	STEEL FILTER 160-200 MESH	FOOD
0028	12329	GASKET OR HNBR 7.66xW1.78	FOOD
0029	4956122060	DOSER KIT	FOOD
0030	15422010	'Y' POLIPROPILENE FITTING	FOOD
0031	23221006	HOSE CONNECTION 1/8M	

Pos	Article number	Description	Characteristic
0032	15502	ROUND DRAIN BASIN D.80mm	
0033	4718159003	SOLENOID VALVE 220/240V 50-60Hz	FOOD
0033	4918181004	SOL.VALVE 2V AEA 110-120V/60 NSF	FOOD
0033	4918181005	EL.2V AEA 208-240/60 2019F1 EL.2V AEA 208-240/60 2019F1	
0034	83120005R	GASKET KIT DISTRIBUTOR	FOOD
0035	12299002	RED GASKET	FOOD
0036	4918126010	FLOWMETER DOSER	FOOD
0037	12299001	GASKET	FOOD

Impianti idraulici - Hydraulic circuits - Circuits hydrauliques - Wasser anlage

EVD 2GR / fino al seriale 668091 - EVD 2GR / to serial nr 668091

PR14-5GU rev. 05  
10/2025



POLARIS 14 USA

- 62 -

Pos	Article number	Description	Characteristic
0001	4652003058	TUBE D-2 L.1000	FOOD
0002	4652002477	TUBE D-4 L. 421	FOOD
0003	4952003248	TUBE D-6 L.105	FOOD
0004	4952002708	TUBE D-12 L.295 + REDUCED CONNECTOR OF GROUP D4	FOOD
0005	4952003245	TUBE D-8 L.285	FOOD
0006	4952003029	TUBE D-8 L.205	FOOD
0007	4952003244	TUBE D-8 L.285	FOOD
0009	4925707	CONNECTOR 1/8x1/4	FOOD
0010	4952003246	TUBE D-8 L.390	FOOD
0011	4923293000	REDUCED CONNECTOR OF GROUP D2.5	FOOD
0012	4952002893	TUBE D-12 L.255	FOOD
0013	4952002979	TUBE D-12 L.275	FOOD
0014	4652003205	TUBE D-6 L.230	FOOD
0015	4652003204	TUBE D-6 L.320	FOOD
0016	4952002700	TUBE D-10 L.185	FOOD
0017	25356	BRASS LOCK NUT 3/8	
0018	25651	BRASS WASHER 3/8	
0019	4953002	UPPER LEVEL BODY	FOOD
0020	56001	>LEVEL TUBE UNIT	FOOD
0021	12200	GASKET 16X10X8	FOOD
0022	25652	BRASS WASHER D.17.8	
0023	25383	>BRASS NUT 20X1.5	
0024	21300	GLASS LEVEL TUBE 11X8X170	FOOD
0025	44002	>LEVEL INDICATOR COVER PAINTED WHITE	
0026	4952003232	TUBE D-10 L.110	FOOD
0027	4956005	LOWER LEVEL BODY UNIT	FOOD
0028	4652003273	TUBE D-8 L.160	FOOD
0030	4620354001	TAP L.40	FOOD
0031	4652001590	TUBE D-6 L.28	FOOD
0032	4661016005	WATER DISTRIBUTION BLOCK	FOOD
0033	4823228025	HOSE CONNECTION 1/4F D-8	
0034	15477014	SILICON TUBE 7x11	FOOD
0035	15502009	DRAIN PAN	

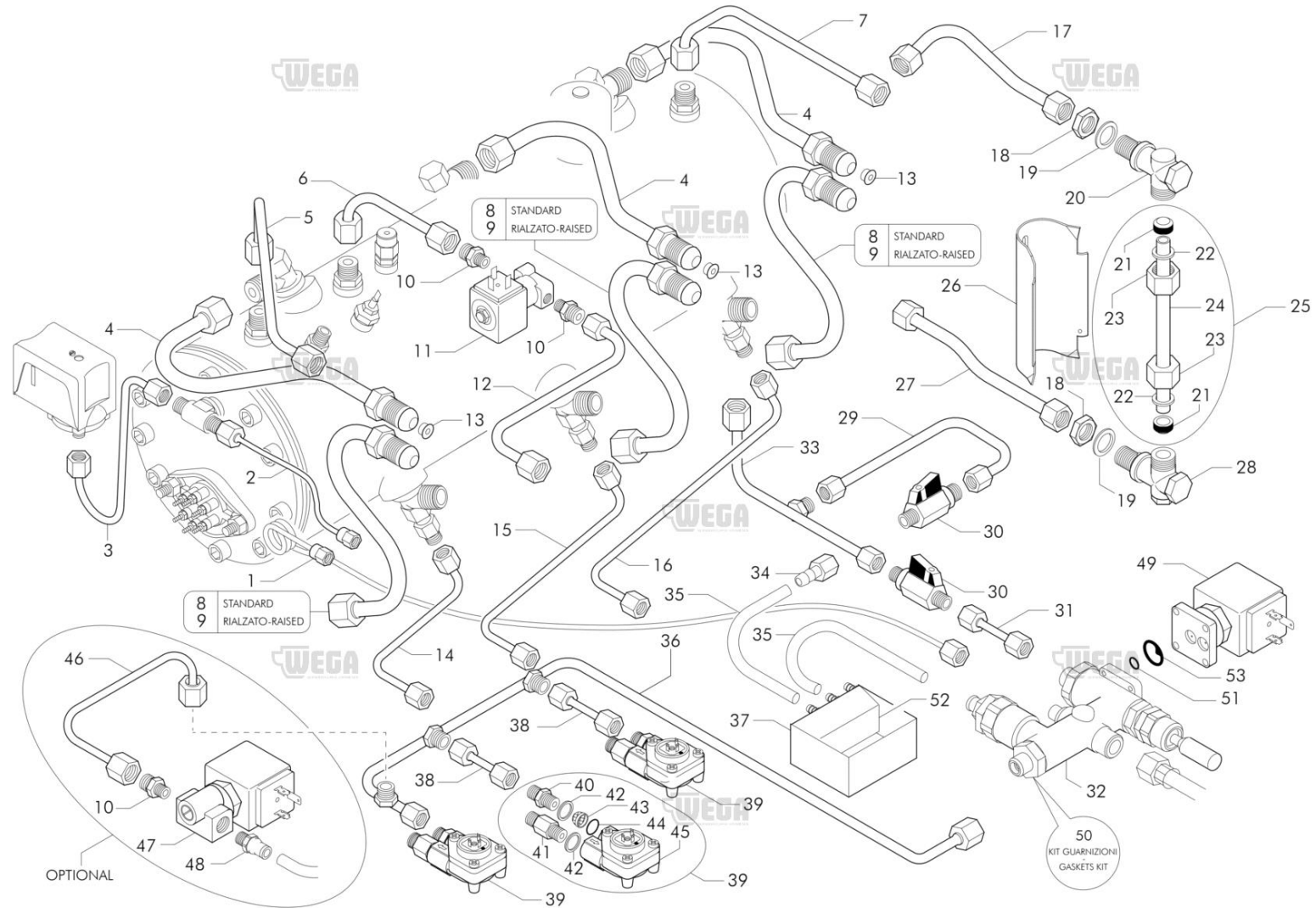


Pos	Article number	Description	Characteristic
0036	4652003270	TUBE D-6 L.510	FOOD
0037	4652001428	TUBE D-6 L.50	FOOD
0038	4925686	CONNECTOR 1/4Mx1/4M	FOOD
0039	4925708	1/4 X 1/4 FITTING	FOOD
0040	12153003	GU CU 1/4 SP.2 1GLE200233 12153003	FOOD
0041	10254	STEEL FILTER 160-200 MESH	FOOD
0042	12329	GASKET OR HNBR 7.66xW1.78	FOOD
0043	4918126010	FLOWMETER DOSER	FOOD
0044	4956122060	DOSER KIT	FOOD
0045	4652003250	TUBE D-6 L.185	FOOD
0046	4918161701	OL.VALVE 220-240V/50-60Hz	FOOD
0047	23229004	CONNECTOR 1/8M D-4	FOOD
0048	4718159003	SOLENOID VALVE 220/240V 50-60Hz	FOOD
0048	4918181004	SOL.VALVE 2V AEA 110-120V/60 NSF	FOOD
0048	4918181005	EL.2V AEA 208-240/60 2019F1 EL.2V AEA 208-240/60 2019F1	
0049	83120005R	GASKET KIT DISTRIBUTOR	FOOD
0050	12299002	RED GASKET	FOOD
0051	15502002	BULKHEAD	
0052	12299001	GASKET	FOOD

Impianti idraulici - Hydraulic circuits - Circuits hydrauliques - Wasser anlage

EVD 3GR / fino al seriale 668091 - EVD 3GR / to serial nr 668091

**PR14-5HU** rev. 05  
10/2025



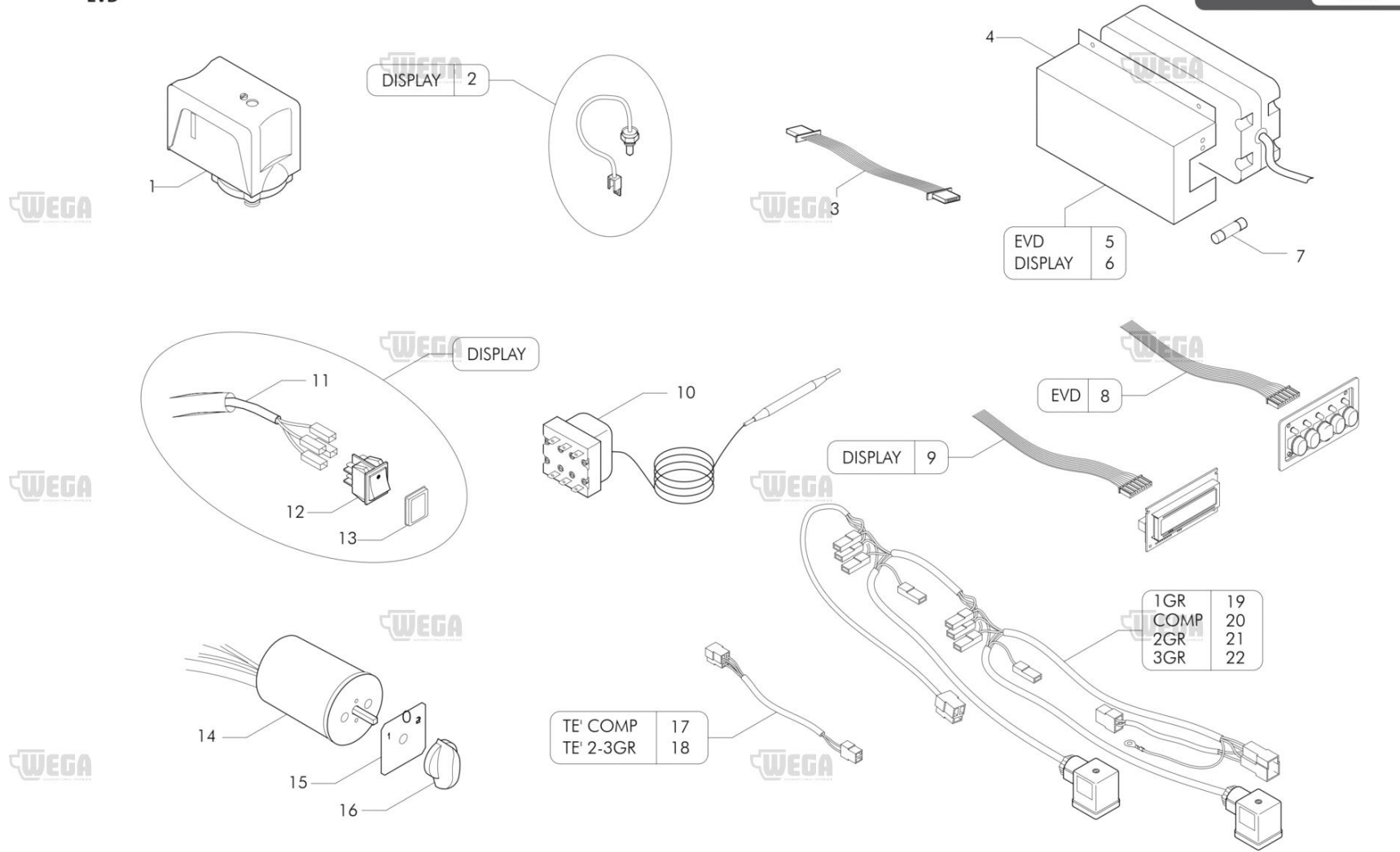
Pos	Article number	Description	Characteristic
0001	4652003058	TUBE D-2 L.1000	FOOD
0002	4652002476	TUBE D-4 L. 534	FOOD
0003	4952003248	TUBE D-6 L.105	FOOD
0004	4952002708	TUBE D-12 L.295 + REDUCED CONNECTOR OF GROUP D4	FOOD
0005	4952003245	TUBE D-8 L.285	FOOD
0006	4952003029	TUBE D-8 L.205	FOOD
0007	4952003244	TUBE D-8 L.285	FOOD
0008	4952002893	TUBE D-12 L.255	FOOD
0009	4952002979	TUBE D-12 L.275	FOOD
0010	4925707	CONNECTOR 1/8x1/4	FOOD
0011	4918162005	SOLENOID VALVE WATER REFILL 220/240 50/60HZ VDE	FOOD
0011	4918195	SOL.VALVE WATER REFILL 110/120V 50/60HZ NSF	FOOD
0012	4652003246	TUBE D-8 L.390	FOOD
0013	4923293000	REDUCED CONNECTOR OF GROUP D2.5	FOOD
0014	4652003204	TUBE D-6 L.320	FOOD
0015	4652003205	TUBE D-6 L.230	FOOD
0016	4652003206	TUBE D-6 L.475	FOOD
0017	4952002700	TUBE D-10 L.185	FOOD
0018	25356	BRASS LOCK NUT 3/8	
0019	25651	BRASS WASHER 3/8	
0020	4953002	UPPER LEVEL BODY	FOOD
0021	12200	GASKET 16X10X8	FOOD
0022	25652	BRASS WASHER D.17.8	
0023	25383	>BRASS NUT 20X1.5	
0024	21300	GLASS LEVEL TUBE 11X8X170	FOOD
0025	56001	>LEVEL TUBE UNIT	FOOD
0026	44002	>LEVEL INDICATOR COVER PAINTED WHITE	
0027	4952003232	TUBE D-10 L.110	FOOD
0028	4956005	LOWER LEVEL BODY UNIT	FOOD
0029	4652003273	TUBE D-8 L.160	FOOD
0030	4620354001	TAP L.40	FOOD
0031	4652001590	TUBE D-6 L.28	FOOD
0032	4661016005	WATER DISTRIBUTION BLOCK	FOOD

Pos	Article number	Description	Characteristic
0033	4652003268	TUBE D-8 L.190	FOOD
0034	4823228025	HOSE CONNECTION 1/4F D-8	
0035	15477014	SILICON TUBE 7x11	FOOD
0036	4652003271	TUBE D-6 L.750	FOOD
0037	15502009	DRAIN PAN	
0038	4652001428	TUBE D-6 L.50	FOOD
0039	4956122060	DOSER KIT	FOOD
0040	4925686	CONNECTOR 1/4Mx1/4M	FOOD
0041	4925708	1/4 X 1/4 FITTING	FOOD
0042	12153003	GU CU 1/4 SP.2 1GLE200233 12153003	FOOD
0043	10254	STEEL FILTER 160-200 MESH	FOOD
0044	12329	GASKET OR HNBR 7.66xW1.78	FOOD
0045	4918126010	FLOWMETER DOSER	FOOD
0046	4652003250	TUBE D-6 L.185	FOOD
0048	23229004	CONNECTOR 1/8M D-4	FOOD
0049	4718159003	SOLENOID VALVE 220/240V 50-60Hz	FOOD
0049	4918181004	SOL.VALVE 2V AEA 110-120V/60 NSF	FOOD
0049	4918181005	EL.2V AEA 208-240/60 2019F1 EL.2V AEA 208-240/60 2019F1	
0050	83120005R	GASKET KIT DISTRIBUTOR	FOOD
0051	12299002	RED GASKET	FOOD
0052	15502002	BULKHEAD	
0053	12299001	GASKET	FOOD

Impianti elettrici - Electrical systems - Circuits électriques - Strom anlage

EVD

PR14-62U rev. 03  
09/2024



POLARIS 14 USA



- 76 -



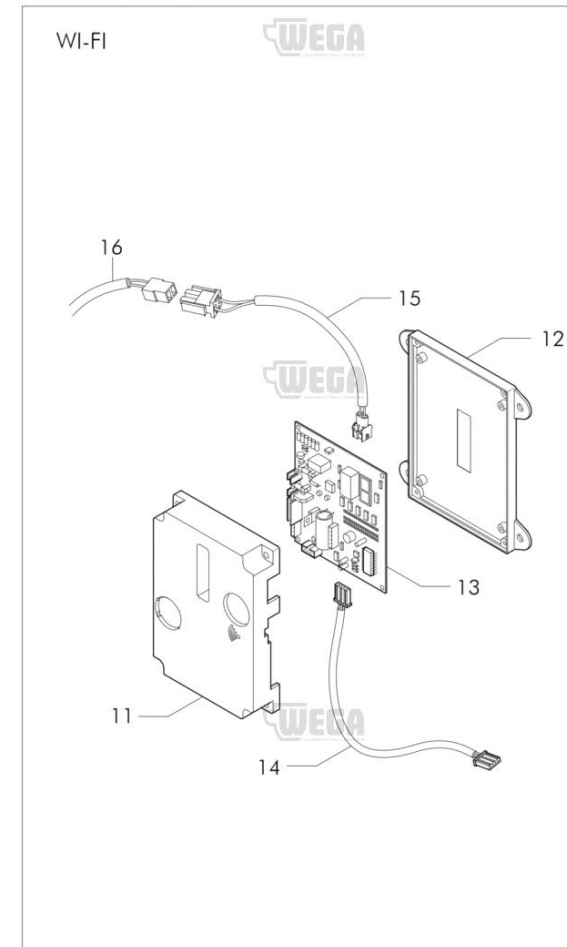
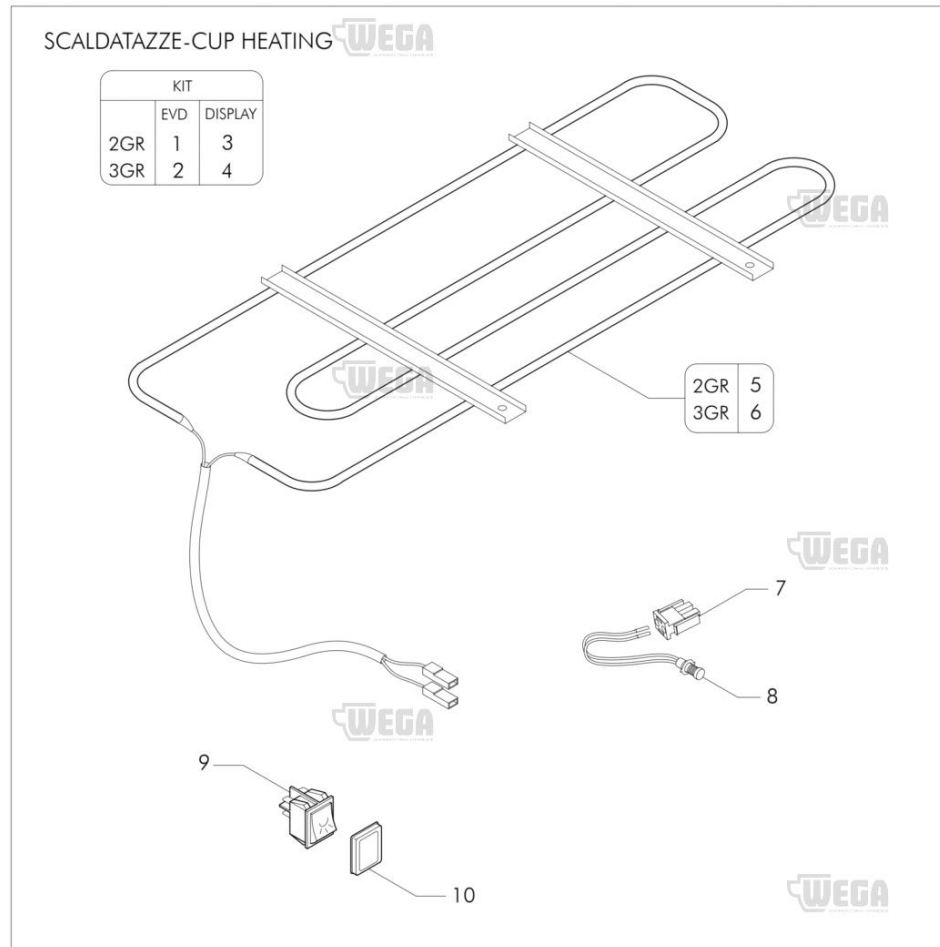
Pos	Article number	Description	Characteristic
0001	4620150	DRY PRESSURE SWITCH	FOOD
0002	20306	THERMOSTAT NTC ES 13	FOOD
0003	22800904	CABLE EVD/2 DISPLAY	
0003	22800905	CABLE EVD/2 DISPLAY -UL-	
0003	22800914	CABLE EVD/3 DISPLAY	
0003	22800915	CABLE EVD/3 DISPLAY -UL-	
0003	22800924	CABLE EVD/4 DISPLAY	
0003	22800925	CABLE EVD/4 DISPLAY -UL-	
0004	78151	>CONTROL UNIT SUPPORT	
0005	18090047	CONTROL BOX 1-3GR 120V PLUS1	
0005	18090048	CONTROL BOX 1-3GR 230V PLUS1	
0006	18090079	GEARCASE 120V	
0006	18090080	GEARCASE 1-4GR 230V PLUS2	
0007	19103	FUSE 5x20 6.3A ST520263 OMEGA	
0007	19106	FUSE OMEGA 5x20 T-500mA	
0008	22627	80 CM CONNECTOR FOR P.BUTTON PANEL	
0008	22628	140 CM CABLE FOR P.BUTTON PANEL	
0009	22554007	RIBBON CABLE DISPLAY L.140	
0010	20300015	THERMOSTAT 169.C	
0010	20300019	THERMOSTAT UL 160.C	
0011	22803070	CABLE	
0012	18263	>BIP. LUMIN. BLACK SWITCH	
0013	19049	SWITCH COVER	
0014	8318104R	KIT COMMUTATOR BREMAS A20.12	
0014	8318105R	KIT COMMUTATOR BREMAS A32.12	
0015	29067003	ADHESIVE LABEL 1-0-2 BLACK	
0016	15271	>MAIN SWITCH HAND GRIP	
0017	22719013	AUT. TEA WIRING SAE/EVD	
0018	22719	>CABLE x AUTOM.TEA	
0019	22716106	WIRING SERVICES EVD/1	
0020	22716110	WIRING SERVICES EVD/2C	
0021	22716107	EVD/2+DISPLAY WIRING HARNESS	
0022	22716108	EVD/3+DISPLAY WIRING HARNESS -POLARIS-	



Impianti elettrici - Electrical systems - Circuits électriques - Strom anlage

SCALDATAZZE/WIFI - CUP HEATING/WIFI - CHAUFFE TASSES/WIFI - TASSENWARMER/WIFI

PR14-63U rev. 01  
09/2024



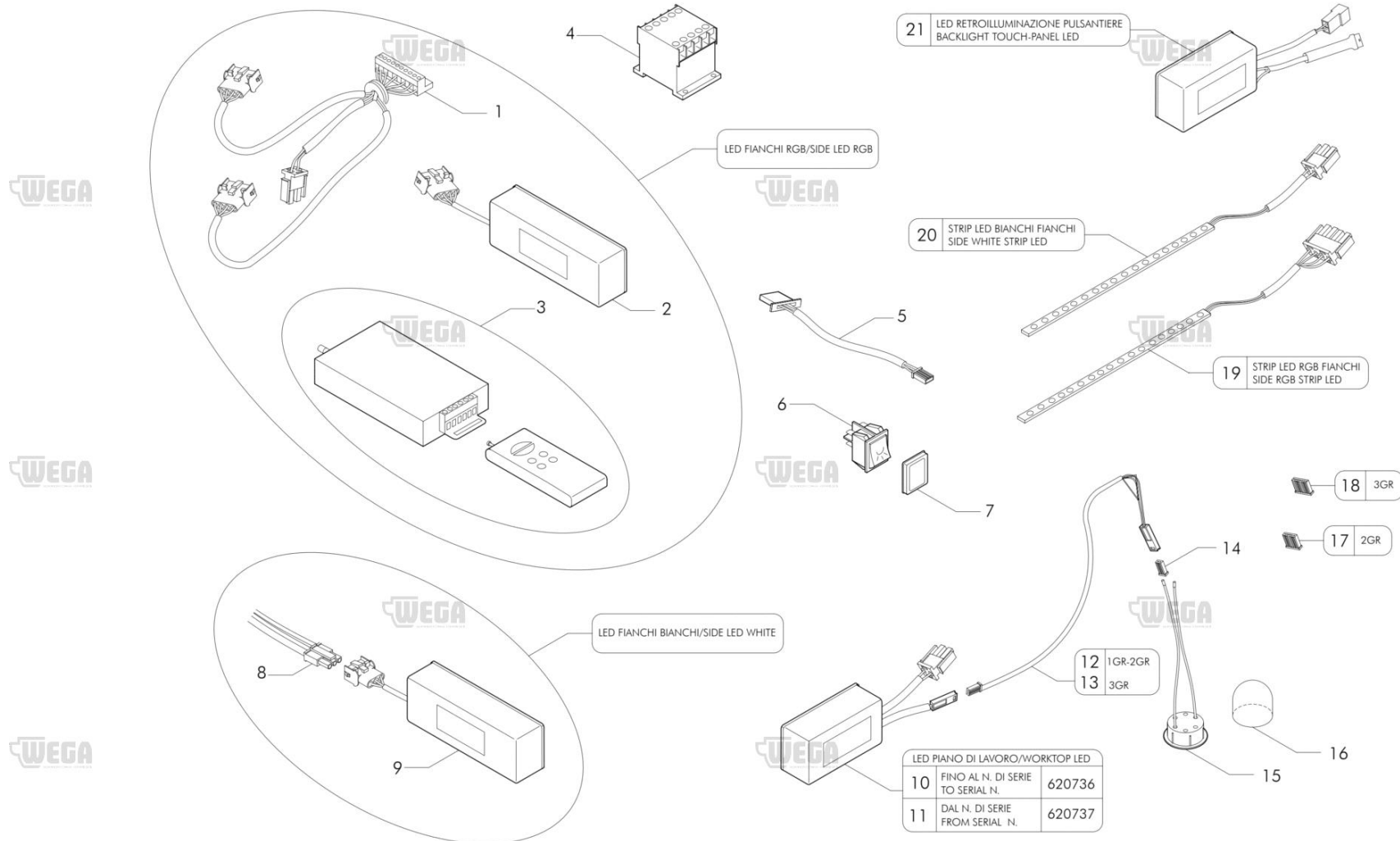
Pos	Article number	Description	Characteristic
0001	83170005R	KIT CUP HEATING 2GR 120V	
0001	83170006R	CUPWARMER POLARIS 2GR 220V	
0002	83170008R	CUPWARMER NEW POLARIS 3GR 220V	
0003	83170009R	KIT CUP HEATING EVD/2+DSP 120V	
0003	83170010R	KIT CUP HEATING EVD/2+DSP 230V	
0004	83170012R	KIT CUP HEATING EVD/3+DSP 230V	
0005	17020	>HEATING ELEMENT 2GR 120V 200W	
0005	17022	HEATING ELEMENT 2GR 230V 200W	
0006	17023	>HEATING ELEMENT 3GR 230V 250W	
0007	10760	MALE BLOCK	
0008	21023	RED PILOT LIGHT 230V	
0009	18371182	SWITCH BLACK	
0010	19049001	SWITCH COVER	
0011	15029135	COVER GATEWAY WIFI	
0012	15029136	BASE OF GATEWAY BOX	
0013	18090239	PCU GATEWAY	
0014	22623033	WIRING GATEWAY WIFI	
0015	22623034	WIRING WIFI MODULE	



Impianti elettrici - Electrical systems - Circuits électriques - Strom anlage

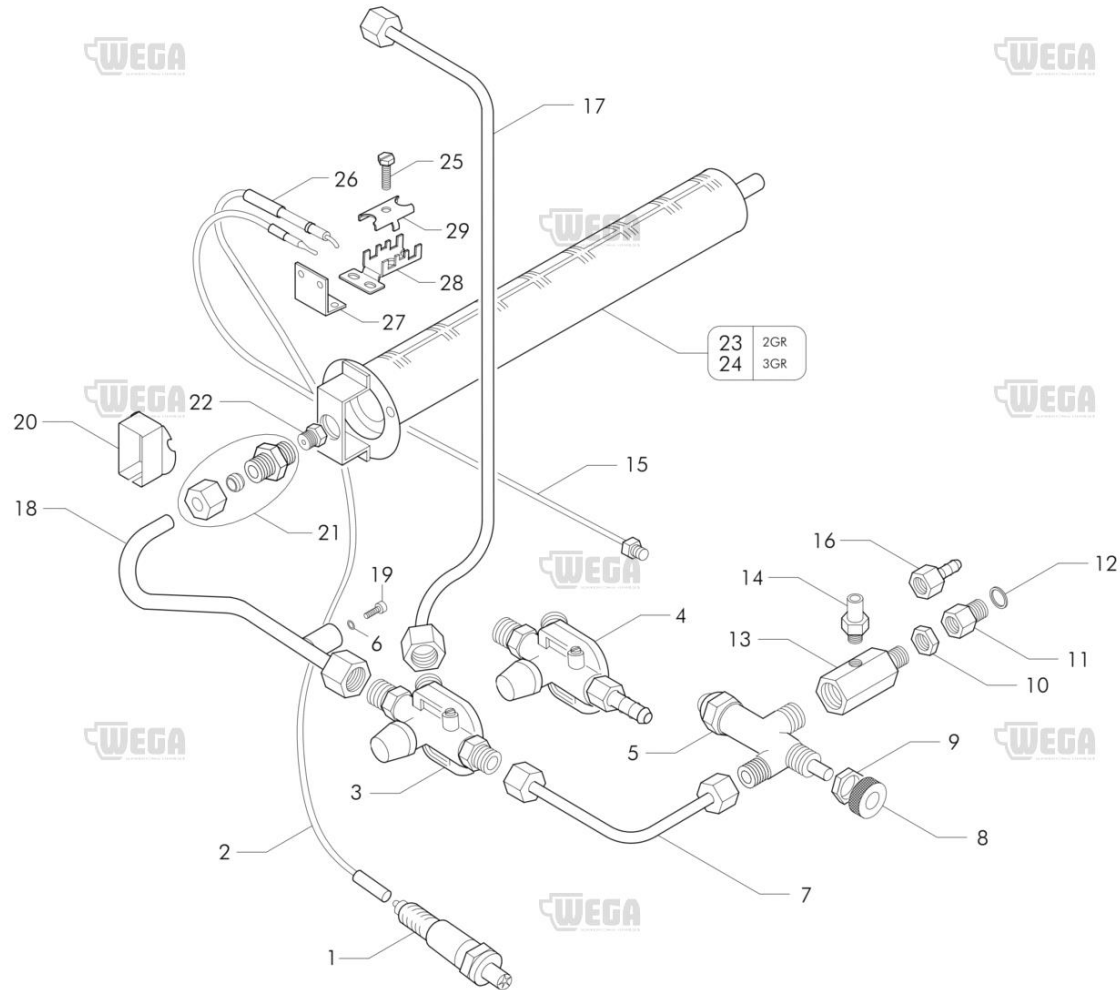
LED

PR14-64U rev. 03  
09/2024



POLARIS 14 USA

Pos	Article number	Description	Characteristic
0001	22716022	WIRING CONTROLLER RGB UL	
0002	18559016	LED POWER UNIT	
0003	18559017	CONTROLLER RF AUDIO	
0004	20299003	RELAY SWITCH AF16 30A 100/250V	
0005	22715843	LED EXTENSION	
0006	18371143	SWITCH BLACK	
0007	19049001	SWITCH COVER	
0008	22716020	SIDE PANEL CABLE LED WHITE	
0009	18559006	LED POWER UNIT	
0010	8318559009R	ADAPTER KIT LED 220/240V	
0011	18559015	POWER UNIT 100V-270V 350mA	
0012	22715974	J9-A CABLE 2GR LED	
0013	22715975	CABLE 3GR LED	
0014	15037	CONNECTOR FEMALE - 2 WAYS BLACK	
0015	21040005	LED LIGHT	
0016	15048503	D4-E HOOD	
0017	15039001	FEMALE BLACK ELECTR. CONNECT. 6HOLES	
0018	15039002	FEMALE BLACK ELECTR. CONNECT. 8HOLES	
0019	18371193	SIDE RGB LED STRIP	
0020	18371305	SIDE LED STRIP	
0021	18559014	LED POWER UNIT	



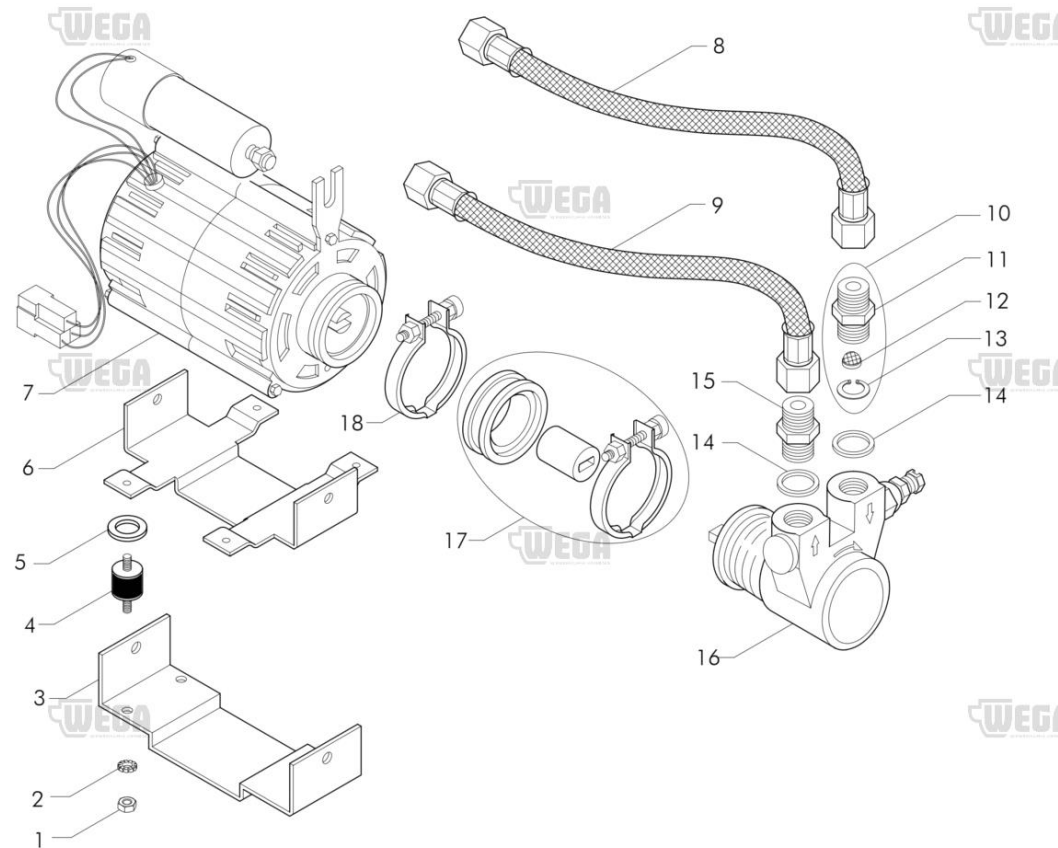
Pos	Article number	Description	Characteristic
0001	15010	>GAS STARTER M22X1.5 SIT	
0002	22002	>GAS/SIT FEEDING CABLE L800	
0003	51005	>GAS REGULATOR	
0004	51003	>NORMAL GAS REGULATOR SET *POLES*	
0005	20222	GAS SECURITY VALVE SABAF	
0006	12155001	>COPPER GASKET 8.5X3.3X1	FOOD
0007	4652001744	TUBE D-8 L.85	FOOD
0008	10350	>GAS RING NUT SIT	
0009	23019	>S.I.T. BRASS NUT M12X1	
0010	25396	NUT 1/4 - 4 THICK	
0011	25715010	CONNECTOR 1/4 F 1/4 M	
0012	12662004	GASKET 11x7x1.5	FOOD
0013	25621100	EXTENSION GAS	
0014	25621005	CONNECTOR 1/8	
0015	18552	THERMOCOUPLE SIT L.600	
0016	25622	>1/4 CONICAL HOSE CONNECTION FOR GAS	
0017	4652001769	TUBE D-6 L.365	FOOD
0018	4652001765	TUBE D-10 L.260	FOOD
0019	23564000	STEEL SCREW TCEI M3x8	
0020	10660	>AIR REGULATOR	
0021	23220	NOZZLE-BEARER CONNECTOR	
0022	10900	>METHANE NOZZLE EM 1.00N	
0022	10901	>GPL NOZZLE EM 0.60N	
0022	10903	>METHANE NOZZLE EM 1.10N	
0022	10904	GPL NOZZLE EM 0.65N	
0022	10906	>METHANE NOZZLE EM 1.35N	
0022	10907	GPL NOZZLE EM 0.80N	
0022	10909	>METHANE NOZZLE EM 1.45N	
0022	10910	>GPL NOZZLE EM 0.85N	
0023	30011	>2 GROUPS BURNER 306/12 POLES	
0024	30012	>3-4 GROUPS BURNER 307/12 POLES	
0025	23410	>SCREW TE 3/16X18	
0026	20030	PILOT SPARK PLUG M4 0100 GAS	

Pos	Article number	Description	Characteristic
0027	780663	SUPPORT FOR THERMOCOUPLE GAS	
0028	10751	>THERMOCOUPLE SIT STAND	
0029	10750	>THERMOCOUPLE SIT STAND	

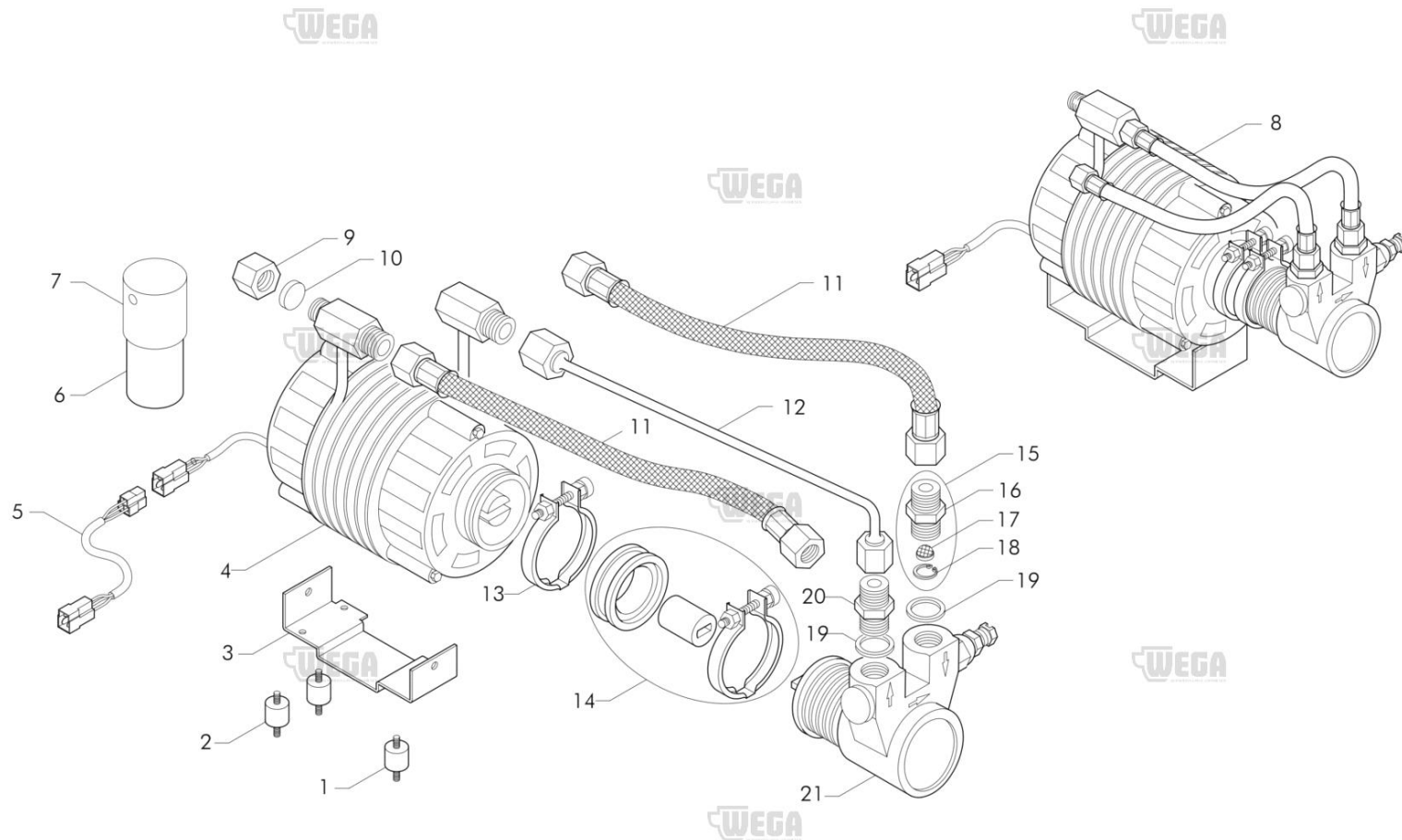
Motopompa - Motor pump - Motopompe - Motor pump

INTERNA COMPATTA - INTERNAL COMPACT - INTÉRIEUR COMPACT - INNEN KOMPAKT

**PR14-81U** rev. **04**  
10/2025

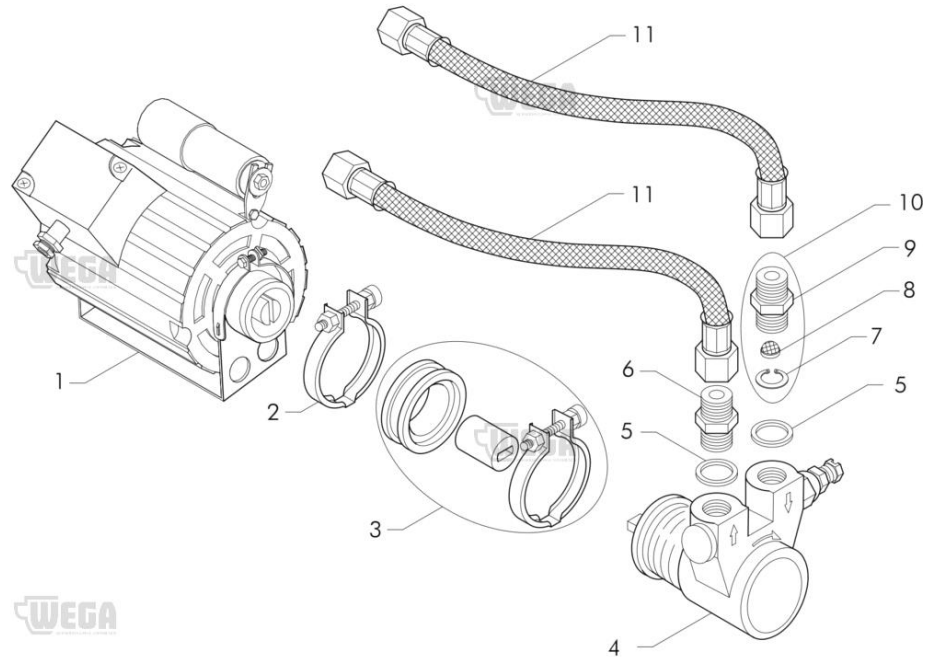


Pos	Article number	Description	Characteristic
0001	23030	>STAINLESS STEEL NUT M4	
0002	23261	INOX WASHER M4	
0003	78174	MOTOR SUPPORT	
0004	15105	RUBBER FOR MOTOR	
0005	23265	WASHER 4x12	
0006	78167019	SUPPORT BUILT-IN MOTOR	
0007	18303002	MOTOR R.P.M 230V 120W	
0007	18304002	MOTOR R.P.M. 110/115V 120W	
0008	4630409002	FLEX PIPE 3/8 L.63 CW510L	FOOD
0009	4630408	L4-G FLEX PIPE 3/8 L.1500 mm	FOOD
0010	4956116	3/8 M 3/8 M WATER INLET FILTER DDVGFIL12	FOOD
0011	4925716	>3/8x1/4 FITTING	FOOD
0012	10254	STEEL FILTER 160-200 MESH	FOOD
0013	10005	STAINLESS STEEL STOP RING	FOOD
0014	12154001	GASKET COPPER 3/8 22x17x2	FOOD
0015	4925687	>3/8x3/8 FITTING	FOOD
0016	4626303001	>PUMP FLUYD 104	FOOD
0017	83260016R	KIT DECOUPLING MOTOR-PUMP	
0018	26310003	CLAMP MOTOR-PUMP	





Pos	Article number	Description	Characteristic
0001	15105	RUBBER FOR MOTOR	
0002	15105002	RUBBER FOR MOTOR	
0003	78174	MOTOR SUPPORT	
0004	4656406	MOTOR RPM 230-50/60Hz	FOOD
0004	4656407	J9-C MOTOR RPM CW510L	FOOD
0005	227173	MOTOR CABLE	
0006	19062001	>MOTOR CAPACITOR 230V 7uF	
0006	19066001	MOTOR CAPACITOR UL 25MF	
0007	15200000	HOOD FOR CAPACITOR	
0008	4656123436	UNIT MOTOR 120V + PUMP	FOOD
0008	4656123437	UNIT MOTOR 230V + PUMP	FOOD
0009	25782	1/4 GAS FEMALE TAP	
0010	12007002	GASKET COPPER 11x3	FOOD
0011	4630404	FLEX PIPE 3/8 L.450	FOOD
0012	4652002814	TUBE D-6 L.200	FOOD
0013	26310003	CLAMP MOTOR-PUMP	
0014	83260016R	KIT DECOUPLING MOTOR-PUMP	
0015	4956116	3/8 M 3/8 M WATER INLET FILTER DDVGFIL12	FOOD
0016	4925716	>3/8x1/4 FITTING	FOOD
0017	10254	STEEL FILTER 160-200 MESH	FOOD
0018	10005	STAINLESS STEEL STOP RING	FOOD
0019	12154001	GASKET COPPER 3/8 22x17x2	FOOD
0020	4925687	>3/8x3/8 FITTING	FOOD
0021	4626303	PUMP FLUID 204	FOOD

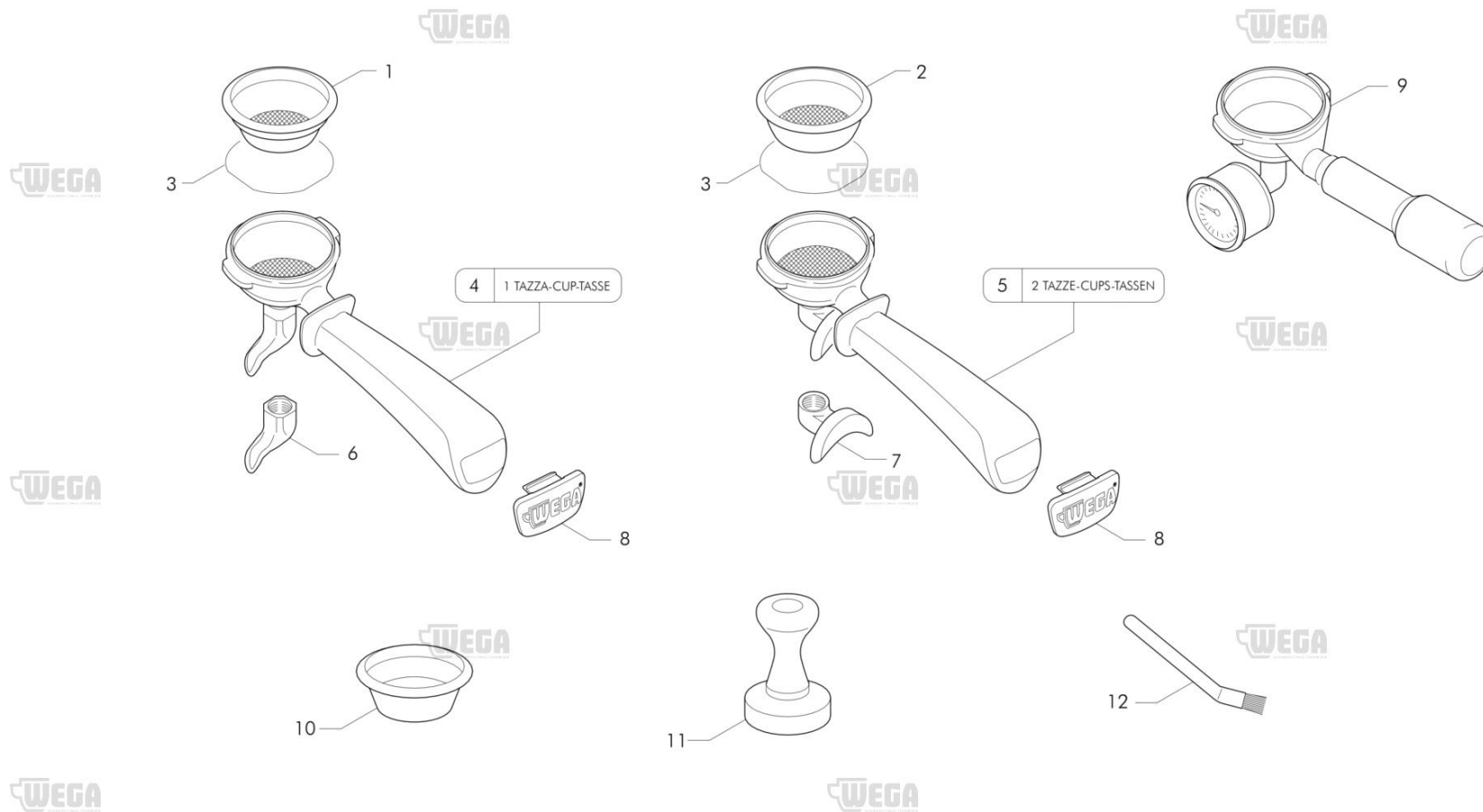


Pos	Article number	Description	Characteristic
0001	18302	MOTOR RPM 230/V 50-60Hz	
0002	26310003	CLAMP MOTOR-PUMP	
0003	83260016R	KIT DECOUPLING MOTOR-PUMP	
0004	4626303	PUMP FLUID 204	FOOD
0005	12154001	GASKET COPPER 3/8 22x17x2	FOOD
0006	4925687	>3/8x3/8 FITTING	FOOD
0007	10005	STAINLESS STEEL STOP RING	FOOD
0008	10254	STEEL FILTER 160-200 MESH	FOOD
0009	4925716	>3/8x1/4 FITTING	FOOD
0010	4956116	3/8 M 3/8 M WATER INLET FILTER DDVGFIL12	FOOD
0011	4630407	FLEX PIPE 3/8 L.1000 mm	FOOD
0011	4630408	L4-G FLEX PIPE 3/8 L.1500 mm	FOOD



Filtri e portafiltri - Filters & filters holder - Filtres et porta filtres - Filter und filterhalter

PR14-91U rev. 03  
09/2024



Pos	Article number	Description	Characteristic
0001	27142	1 CUP S.STEEL FILTER H.24	FOOD
0002	27171	2 CUPS S.STEEL FILTER H.24,5 10 PCS	FOOD
0003	27255	FILTER HOLDER SPRING	
0004	83270074R	FILTER HOLDER 1CUP	FOOD
0005	83270075R	FILTER HOLDER 2 CUPS	FOOD
0006	4927032001	SPOUT 1 CUP	FOOD
0007	4927042001	SPOUT 2 CUPS	FOOD
0008	15263022	KNOB CAP	
0009	35W10827	O9-C TEST FILTER HOLDER	FOOD
0010	27173	>2 CUPS STAINLESS STEEL BLIND FILTER	FOOD
0011	15420	COFFEE PRESS	FOOD
0012	15426	SHORT BLACK NYLON BRISTLE BRUSH	FOOD